

North Mason Regional Fire Authority Board of Fire Commissioners Agenda

April 14th and 21st 2026 at 5:00pm

490 NE Old Belfair Highway

Zoom Room Number [443 963 3643](https://us02zoom.us/j/4439633643)

Phone Call In 1-253-215-8782

Blue Information and Red Action Requested

Call to Order

Pledge of Allegiance

Approval of Minutes- The meeting minutes from December's Board meetings are attached for review and approval.

Voucher Approval- The voucher materials for January are attached for review and approval.

Financial Report- Chief Bakken will review the budget summary and financial report.

Administration Report

- Fire Chaplain Academy Graduation April 29th
- Vintage Fire Trucks and Hot Dogs Community Event
- Fishing Season Pancake Breakfast
- Capt. Mike Sammons Leave of Absence
- Solar Tax Rebate Update
- MC SORT ILA Draft
- Paramedic Hiring Test

New Business

- Station 82 Roof Replacement (Quote Attached)
- F1 Filing Deadline April 15th
- Board Open Public Meetings Training

Old Business

- Fire Engine Purchase (Packet Attached)
- Personnel Investigation Update
- EMS Levy Resolution (Resolution Draft Attached)
- CBA Negotiations Scheduling

Public Comment

BVFF

Adjournment



NORTH MASON REGIONAL FIRE AUTHORITY
Regular Meeting Minutes: 3/10/2026

Present: Commissioners Kelley McIntosh, Paul Severson, Dan Kewish and Bob Miller
Assistant Chief Cooper and Executive Assistant Musgrave

Zoom: Commissioner John Inch

Absent: Chief Bakken

Meeting was called to order at 5:01 pm with the Pledge of Allegiance.

Meeting minutes from January 2026 were presented and reviewed. **Commissioner Severson moved to approve meeting minutes; Commissioner Miller seconded the motion. Motion carried.**

FINANCIALS

Financial vouchers were presented and reviewed by the Board.

Commissioner Kewish moved to approve Voucher Numbers 260301001 to 260301097 for \$605,863.67. Commissioner Severson seconded the motion. Motion carried.

ADMINISTRATIVE REPORT

Hose Surplus Update: Chief Cooper reported that the surplus hose had been picked up by the shipping company and was en route to its destination.

Forklift Acquisition: Chief Cooper reported that Captain Rhead identified a state surplus forklift available at no cost. The forklift is operational but requires a propane tank. Additionally, the team is exploring options for a high-lift to assist with changing lights in the station app bay.

PS Trax Cancellation: Chief Cooper provided an update on PS Trax, a software platform designed to track vehicle maintenance. He noted that the system is better suited for larger departments and has been identified as an unnecessary expense. The contract has been canceled, and the department will begin transitioning to Vector, an existing software already in use.

CMFE Chief's Retirement Celebration (February 20th): Chief Bakken shared that a retirement celebration is scheduled for February 20 in recognition of Fire Chief Snyder and Deputy Chief Yates, both of whom will be retiring.

March 28th Vintage trucks and BBQ: A reminder was given that the Vintage Fire Trucks and BBQ event is scheduled for Saturday, March 28th. Appreciation was extended to Commissioner Steverson for coordinating the vintage trucks and to the North Mason Firefighters Association for providing lunch.

MIHP South Provider Job Announcement: Chief Cooper shared that the Mobile Integrated Health Program South End provider job announcement has been posted.

Station 23 Enhancements: Chief Cooper provided an update on the Station 23 enhancements. He has met with contractors to discuss updates, including converting an office into gym space. The modifications will still allow sufficient room for the ambulance once the project is completed. The department is currently waiting for bids.

DOH Hospital Beds: Emergency Prevention Specialist Abe Gardner has coordinated access to new hospital beds, available at no cost, through the Department of Health. The Mobile Integrated Health Program continues to receive frequent requests for hospital beds from patients who are unable to afford them out of pocket or whose insurance does not provide coverage.

Mason County Transportation Program: Executive Assistant Musgrave provided an update on the Mason County Linkage to Care Transportation Program (MC-LCTP). This grant-funded program, supported through the Department of Health in partnership with Mason County and Olympic College, will provide transportation funding for patients seeking behavioral health and medical care appointments. Transportation has been a significant barrier in the county, and this program is expected to greatly improve access to care.

OLD BUSINESS:

Mason County Fire Commissioners Meeting: Commissioner McIntosh provided updates on upcoming events, including the Region 9 meeting scheduled for April 11th in Grapeview, the Spring Conference on May 2nd, and the conference in Chelan on June 5th. Attendees were encouraged to register as soon as possible.

NEW BUSINESS:

ATV Purchase Request: Chief Cooper presented a request for the purchase of a side-by-side vehicle (STV). Captain Rhead has identified a potential replacement. The current Polaris ATV is approximately 20 years old and in need of replacement. The proposal is to purchase one (1) 2026 Honda Rancher ATV at a cost of \$10,317.99, to be funded through the Capital Fund.

Commissioner Severson moved to approve the purchase as presented, and Commissioner Miller seconded the motion. The motion carried.

Letter of Intent – Fire Engine Replacement: Chief Cooper shared that the department needs to begin planning for the purchase of a replacement fire engine. Research is currently underway, and he anticipates presenting a letter of intent to Rosenbauer of South Dakota. He requested direction from the Board of Commissioners on next steps. Chief Cooper noted that this process typically needs to begin one to two years in advance of securing the vehicle.

PUBLIC COMMENT: None

GOOD OF THE ORDER:

Chief Cooper shared that the next Commissioners meeting will include a pinning and recognition ceremony.

Commissioner McIntosh moved to adjourn the meeting. With no further business, the meeting adjourned at 5:40 pm.

Board of Volunteer Firefighters

Meeting was called to order at 5:51 pm.

Present: Commissioner McIntosh, Assistant Chief Cooper, Executive Assistant Musgrave, and Volunteer Firefighter Bryan Hart.

One invoice was presented for review and approval: Volunteer firefighter physical totaling \$100.00.

Assistant Chief Cooper moved to approve and pay the invoice. Volunteer Firefighter Hart seconded the motion. Motion carried.

With no further business, the meeting adjourned at 5:52 pm.

Commissioner Paul Severson

Commissioner John Inch

Commissioner Kelley McIntosh

Commissioner Bob Miller

Commissioner Dan Kewish

Authority Secretary Katie Musgrave



NORTH MASON REGIONAL FIRE AUTHORITY
Regular Meeting Minutes: 3/17/2026

Present: Commissioners Kelley McIntosh, Dan Kewish and John Inch
Chef Bakken, Assistant Chief Cooper and Executive Assistant Musgrave

Zoom: Commissioner Paul Severson and Bob Miller

Absent: None

Meeting was called to order at 5:01 pm with the Pledge of Allegiance.

Pinning Ceremony: The meeting began with a pinning ceremony. Connor Taylor was recognized for successfully completing his probationary period. Nick Henry, Shyann Imlay, Levi Taurman, and Alessandra Resende were also recognized for completing the Mason County Regional Direct Delivery Fire Academy in December.

FINANCIALS

Financial vouchers were presented and reviewed by the Board.

Commissioner Inch moved to approve Voucher Numbers 260302001 to 260302004 for \$605,863.67. Commissioner Kewish seconded the motion. Motion carried.

Chief Bakken noted that the finance report will be provided at the end of the week.

ADMINISTRATIVE REPORT

GEMT Reimbursement: Chief Bakken provided an overview of how GEMT operates. A cost-per-call analysis is calculated prior to transport and reported to GEMT, which is then used to determine billing. GEMT conducts post-transport audits to identify any overpayments or underpayments. In previous years, the department has been underpaid; however, this year the department is required to reimburse approximately \$52,000.

Chaplain Academy: Chief Bakken shared that the Chaplain Academy is in full swing. Participants are scheduled to visit MACECOM next week. He also noted that Jamie Taylor, Mason County Coroner, presented last week, and the program continues to progress well.

DOH Hospital Beds: Chief Bakken noted that the donated hospital beds are new and available to both North and South Mobile Integrated Health Program patients.

OLD BUSINESS:

EMS Levy Resolution Approval (March 20th): Chief Bakken shared that a levy resolution will be presented once it has been fully reviewed by Brian Snure.

NEW BUSINESS:

PUBLIC COMMENT: None

GOOD OF THE ORDER:

Commissioner McIntosh moved to adjourn the meeting. With no further business, the regular meeting adjourned at 5:40 pm.

Executive Session

The Board went into executive session for 10 minutes, advising that no Board action was expected to be taken at the end of the session, pursuant to RCW 42.30. 110 (f) to receive and evaluate complaints or charges brought against a public officer or employee. The session was called to order at 5:42 pm and exited at 5:52pm.

With no further business, the meeting adjourned at 5:52 pm.

Commissioner Paul Severson

Commissioner John Inch

Commissioner Kelley McIntosh

Commissioner Bob Miller

Commissioner Dan Kewish

Authority Secretary Katie Musgrave

2026 BUDGET POSITION

North Mason Regional Fire Authority

Time: 10:03:48 Date: 04/10/2026

Page: 1

001 General Expense Fund

| Revenues | Amt Budgeted | April | YTD | Remaining | | |
|---|---|---------------------|-------------|---------------------|-----------------------|--------------|
| 308 Beginning Balances | | | | | | |
| 308 91 00 0000 | Beginning Cash and Investments - General | 0.00 | 0.00 | 690,372.05 | (690,372.05) | 0.0% |
| 308 91 00 0001 | Begining Cash and Investments - Petty/Revolving Acct | 0.00 | 0.00 | 9,500.00 | (9,500.00) | 0.0% |
| 308 91 00 0002 | Beginning Cash and Investments - Contingency | 0.00 | 0.00 | 2,325,813.36 | (2,325,813.36) | 0.0% |
| 308 Beginning Balances | | 0.00 | 0.00 | 3,025,685.41 | (3,025,685.41) | 0.0% |
| 310 Taxes | | | | | | |
| 311 10 30 0000 | NMRFA Fire Levy | 3,707,997.00 | 0.00 | 376,615.80 | 3,331,381.20 | 10.2% |
| 311 10 30 0001 | NMRFA EMS Levy | 972,769.00 | 0.00 | 101,263.24 | 871,505.76 | 10.4% |
| 310 Taxes | | 4,680,766.00 | 0.00 | 477,879.04 | 4,202,886.96 | 10.2% |
| 330 Intergovernmental Revenues | | | | | | |
| 331 16 00 0000 | Federal Direct Grant From The Department Of Justice-Mental Health Grant | 0.00 | 0.00 | 0.00 | 0.00 | 0.0% |
| 331 97 30 8300 | FEMA Assistance To FF | 0.00 | 0.00 | 0.00 | 0.00 | 0.0% |
| 332 93 40 0000 | GEMT - Ground Emergency Medical Trans | 490,000.00 | 0.00 | 129,502.43 | 360,497.57 | 26.4% |
| 333 21 00 1000 | Federal Indirect Grant From Department Of Treasury-ARPA (MIHP) | 0.00 | 0.00 | 0.00 | 0.00 | 0.0% |
| 334 02 30 0030 | State Direct/Indirect Grant From Department Natural Resources | 0.00 | 0.00 | 0.00 | 0.00 | 0.0% |
| 334 03 90 0000 | State Direct/Indirect Grant From Other Transportation Agencies | 0.00 | 0.00 | 0.00 | 0.00 | 0.0% |
| 334 04 20 0000 | State Direct/Indirect Grant From Department Of Commerce | 0.00 | 0.00 | 193,198.00 | (193,198.00) | 0.0% |
| 334 04 90 0000 | DOH EMS & Trauma Grant | 1,300.00 | 0.00 | 965.00 | 335.00 | 74.2% |
| 334 06 90 0000 | State Direct/Indirect Grant From Other State Agencies-L&I | 0.00 | 0.00 | 0.00 | 0.00 | 0.0% |
| 337 00 00 1000 | Interlocal Grants - MIHP Programs | 850,000.00 | 0.00 | 56,149.60 | 793,850.40 | 6.6% |
| 337 00 30 0001 | Local Grants, Entitlements, Other Payments-Leashold Excise | 0.00 | 0.00 | 114.81 | (114.81) | 0.0% |
| 337 00 30 0002 | Local Grants, Entitlements, Other Payments-Leashold EMS | 0.00 | 0.00 | 29.70 | (29.70) | 0.0% |
| 337 00 30 2000 | Local Grants, Entitlements, Other Payments-Timber Exc Fire | 35,000.00 | 0.00 | 1,259.61 | 33,740.39 | 3.6% |
| 337 00 30 3000 | Local Grants, Entitlements, Other Payments-Timber Exc EMS | 0.00 | 0.00 | 0.38 | (0.38) | 0.0% |
| 330 Intergovernmental Revenues | | 1,376,300.00 | 0.00 | 381,219.53 | 995,080.47 | 27.7% |
| 340 Charges For Goods & Services | | | | | | |
| 341 70 32 0000 | Sales of Non-Taxable Merchandise | 0.00 | 0.00 | 339.00 | (339.00) | 0.0% |
| 342 21 00 0000 | Fire Protection and Emergency Medical Services | 0.00 | 0.00 | 0.00 | 0.00 | 0.0% |
| 342 21 30 0000 | Contracts: Fire Marshall Reimbursement | 0.00 | 0.00 | 0.00 | 0.00 | 0.0% |

2026 BUDGET POSITION

North Mason Regional Fire Authority

Time: 10:03:48 Date: 04/10/2026

Page: 2

001 General Expense Fund

| Revenues | Amt Budgeted | April | YTD | Remaining | | |
|---|--|-------------------|-------------|-------------------|-------------------|--------------|
| 340 Charges For Goods & Services | | | | | | |
| 342 21 30 0001 | Contracts: Mission Creek, Schools, Parks, Wildfire | 95,000.00 | 0.00 | 3,649.19 | 91,350.81 | 3.8% |
| 342 60 30 0000 | Ambulance Services | 750,000.00 | 0.00 | 227,960.05 | 522,039.95 | 30.4% |
| 342 60 30 1000 | MIHP Medical Services | 50,000.00 | 0.00 | 4,875.08 | 45,124.92 | 9.8% |
| 340 Charges For Goods & Services | | 895,000.00 | 0.00 | 236,823.32 | 658,176.68 | 26.5% |

360 Interest & Other Earnings

| | | | | | | |
|--|---|-------------------|-------------|------------------|-------------------|--------------|
| 361 10 30 0000 | Investment Interest | 110,000.00 | 0.00 | 21,625.02 | 88,374.98 | 19.7% |
| 361 40 00 0000 | Other Interest Earnings Ems | 0.00 | 0.00 | 0.00 | 0.00 | 0.0% |
| 361 40 00 1000 | Paid Interest Refunds - Fire | 0.00 | 0.00 | (74.97) | 74.97 | 0.0% |
| 361 40 00 2000 | Paid Interest Refunds - EMS | 0.00 | 0.00 | (19.39) | 19.39 | 0.0% |
| 361 40 30 0000 | Other Interest Earnings Fire | 0.00 | 0.00 | 0.00 | 0.00 | 0.0% |
| 361 40 30 1000 | Leasehold Excise Tax Interest Fire | 0.00 | 0.00 | 6.36 | (6.36) | 0.0% |
| 361 40 30 2000 | Leasehold Excise Tax Interest EMS | 0.00 | 0.00 | 1.65 | (1.65) | 0.0% |
| 362 40 00 0000 | Space and Facilities Rentals Short Term | 0.00 | 0.00 | 1,250.00 | (1,250.00) | 0.0% |
| 362 50 00 0000 | Space and Facilities Leases Long Term/DNR | 24,000.00 | 0.00 | 12,000.00 | 12,000.00 | 50.0% |
| 362 50 30 0000 | Space and Facility Leases Long Term/DNR EMS | 0.00 | 0.00 | 0.00 | 0.00 | 0.0% |
| 367 00 00 0000 | Gifts, Pledges, Grants from Private Sources | 2,500.00 | 0.00 | 3,900.00 | (1,400.00) | 156.0% |
| 369 80 00 0000 | Cash Adjustments (Prior) | 0.00 | 0.00 | 0.00 | 0.00 | 0.0% |
| 369 91 00 0000 | Miscellaneous Other Operating | 25,000.00 | 0.00 | 0.00 | 25,000.00 | 0.0% |
| 369 91 30 1000 | Other Fees (Training, Tuition) | 43,000.00 | 0.00 | 99.76 | 42,900.24 | 0.2% |
| 360 Interest & Other Earnings | | 204,500.00 | 0.00 | 38,788.43 | 165,711.57 | 19.0% |

390 Other Financing Sources

| | | | | | | |
|------------------------------------|------------------------------------|------------------|-------------|-----------------|------------------|-------------|
| 395 10 00 0000 | DNR Timber Trust | 40,000.00 | 0.00 | 68.17 | 39,931.83 | 0.2% |
| 395 10 00 0001 | DNR Timber Trust EMS | 0.00 | 0.00 | 1,584.08 | (1,584.08) | 0.0% |
| 395 10 00 0002 | Sales Of Capital Assets/DNR Timber | 5,000.00 | 0.00 | 0.00 | 5,000.00 | 0.0% |
| 398 10 00 0000 | Insurance Recoveries | 30,000.00 | 0.00 | 2,109.24 | 27,890.76 | 7.0% |
| 390 Other Financing Sources | | 75,000.00 | 0.00 | 3,761.49 | 71,238.51 | 5.0% |

397 Interfund Transfers

| | | | | | | |
|--------------------------------|-----------------------------------|-------------|-------------|-------------|-------------|-------------|
| 397 00 00 1000 | Transfer In - Interfund / Expense | 0.00 | 0.00 | 0.00 | 0.00 | 0.0% |
| 397 00 00 1001 | Transfer In - Interfund / Expense | 0.00 | 0.00 | 0.00 | 0.00 | 0.0% |
| 397 Interfund Transfers | | 0.00 | 0.00 | 0.00 | 0.00 | 0.0% |

| | | | | | |
|-----------------------|---------------------|-------------|---------------------|---------------------|--------------|
| Fund Revenues: | 7,231,566.00 | 0.00 | 4,164,157.22 | 3,067,408.78 | 57.6% |
|-----------------------|---------------------|-------------|---------------------|---------------------|--------------|

| Expenditures | Amt Budgeted | April | YTD | Remaining | |
|--------------|--------------|-------|-----|-----------|--|
|--------------|--------------|-------|-----|-----------|--|

001 Bakken

| | | | | | | |
|----------------|------------------------------|-----------|------|----------|-----------|------|
| 522 45 41 1000 | Admin Staff Training: PS | 10,000.00 | 0.00 | (495.00) | 10,495.00 | 5.0% |
| 522 45 43 1000 | Admin Staff Training: Travel | 0.00 | 0.00 | 174.00 | (174.00) | 0.0% |

2026 BUDGET POSITION

North Mason Regional Fire Authority

Time: 10:03:48 Date: 04/10/2026

Page: 3

001 General Expense Fund

| Expenditures | Amt Budgeted | April | YTD | Remaining | |
|--|--------------|------------|------------|--------------|--------|
| 001 Bakken | | | | | |
| 001 Administration Training | 10,000.00 | 0.00 | (321.00) | 10,321.00 | 3.2% |
| 589 00 00 1000 Ambulance Refunds | 3,000.00 | 523.14 | 56,933.57 | (53,933.57) | *****% |
| 002 Ambulance Refunds | 3,000.00 | 523.14 | 56,933.57 | (53,933.57) | *****% |
| 522 10 20 0001 Fire Suppression & Emergency Medical Services - Administration - Personnel Benefits | 0.00 | 0.00 | 0.00 | 0.00 | 0.0% |
| 522 10 20 0010 Admin Staff- Labor and Industry Insurance | 0.00 | 967.30 | 3,460.96 | (3,460.96) | 0.0% |
| 522 10 20 0020 Admin Staff- Medicare | 0.00 | 874.99 | 3,554.74 | (3,554.74) | 0.0% |
| 522 10 20 0030 Admin Staff- WA State Retirement | 0.00 | 3,246.49 | 12,985.96 | (12,985.96) | 0.0% |
| 522 10 20 0040 Admin Staff- HRA, HI, DC, Disability | 0.00 | 11,949.03 | 32,410.50 | (32,410.50) | 0.0% |
| 522 10 20 0050 Paid Family/Medical Leave | 0.00 | 0.00 | 0.00 | 0.00 | 0.0% |
| 522 20 20 0010 Firefighter/EMT- Labor and Industry Insurance | 1,200,000.00 | 7,626.46 | 28,209.40 | 1,171,790.60 | 2.4% |
| 522 20 20 0020 Firefighter/EMT- Medicare | 0.00 | 2,190.56 | 8,643.39 | (8,643.39) | 0.0% |
| 522 20 20 0030 Firefighter/EMT- WA State Retirement | 0.00 | 7,760.31 | 30,414.23 | (30,414.23) | 0.0% |
| 522 20 20 0040 Firefighter/EMT- HRA, HI, DC, Disability | 0.00 | 63,418.87 | 170,425.34 | (170,425.34) | 0.0% |
| 522 20 20 0050 Firefighter/EMT- Paid Family/Medical Leave | 0.00 | 0.00 | 0.00 | 0.00 | 0.0% |
| 522 71 20 0010 Firefighter/paramedic- Labor and Industry Insurance | 0.00 | 4,920.69 | 18,794.31 | (18,794.31) | 0.0% |
| 522 71 20 0020 Firefighter/paramedic- Medicare | 0.00 | 1,812.23 | 7,156.76 | (7,156.76) | 0.0% |
| 522 71 20 0030 Firefighter/paramedic- Wa State Retirement | 0.00 | 6,498.40 | 25,199.86 | (25,199.86) | 0.0% |
| 522 71 20 0040 Firefighter/Paramedic- HRA, HI, DC, Disability | 0.00 | 34,268.89 | 94,893.82 | (94,893.82) | 0.0% |
| 003 Benefits | 1,200,000.00 | 145,534.22 | 436,149.27 | 763,850.73 | 36.3% |
| 522 11 10 0001 Commissioner Stipends | 30,000.00 | 1,771.00 | 7,728.00 | 22,272.00 | 25.8% |
| 522 11 20 0010 Labor and Industry Insurance | 0.00 | 1.70 | 7.37 | (7.37) | 0.0% |
| 522 11 20 0020 Social Security and Medicare | 0.00 | 135.47 | 591.16 | (591.16) | 0.0% |
| 522 45 41 2000 Commissioner Training: PS | 0.00 | 319.01 | 319.01 | (319.01) | 0.0% |
| 522 45 43 2000 Commissioner Training: Travel | 0.00 | 0.00 | 0.00 | 0.00 | 0.0% |
| 004 Commissioners | 30,000.00 | 2,227.18 | 8,645.54 | 21,354.46 | 28.8% |
| 522 10 31 1000 Computer Hardware: OOS | 0.00 | 21.69 | 164.43 | (164.43) | 0.0% |
| 522 10 31 2000 Computer Software: OOS | 0.00 | 369.77 | 595.99 | (595.99) | 0.0% |
| 522 10 41 1000 IT Support Service: PS | 20,000.00 | 1,250.00 | 5,000.00 | 15,000.00 | 25.0% |
| 005 Computers | 20,000.00 | 1,641.46 | 5,760.42 | 14,239.58 | 28.8% |
| 522 10 30 1000 Mason/Kitsap Elections: PS | 10,000.00 | 0.00 | 14,774.55 | (4,774.55) | 147.7% |
| 006 Elections | 10,000.00 | 0.00 | 14,774.55 | (4,774.55) | 147.7% |
| 522 10 46 1000 Authority General Liability Insurance | 125,000.00 | 10,497.00 | 60,454.00 | 64,546.00 | 48.4% |
| 522 10 46 2000 Accident and Sickness Insurance | 0.00 | 0.00 | 0.00 | 0.00 | 0.0% |

2026 BUDGET POSITION

North Mason Regional Fire Authority

Time: 10:03:48 Date: 04/10/2026

Page: 4

001 General Expense Fund

| Expenditures | Amt Budgeted | April | YTD | Remaining | |
|---|---------------------|-------------------|---------------------|---------------------|--------------|
| 001 Bakken | | | | | |
| 007 Insurance | 125,000.00 | 10,497.00 | 60,454.00 | 64,546.00 | 48.4% |
| 522 20 20 2000 Retirement Medical Costs | 7,000.00 | 1,754.36 | 5,215.87 | 1,784.13 | 74.5% |
| 008 LEOFF 1 Retirement Costs | 7,000.00 | 1,754.36 | 5,215.87 | 1,784.13 | 74.5% |
| 522 10 41 2000 Legal Services: PS | 2,000.00 | 720.00 | 720.00 | 1,280.00 | 36.0% |
| 009 Legal Costs | 2,000.00 | 720.00 | 720.00 | 1,280.00 | 36.0% |
| 522 10 31 3000 Miscellaneous Expense: OOS | 10,000.00 | 247.98 | 530.55 | 9,469.45 | 5.3% |
| 522 10 43 1000 Miscellaneous Expense: Admin Travel | 0.00 | 0.00 | 0.00 | 0.00 | 0.0% |
| 522 10 45 1000 Miscellaneous Expense: Operating Rentals & Leases | 0.00 | 260.18 | 1,025.80 | (1,025.80) | 0.0% |
| 522 10 48 1000 Miscellaneous Expense: Repairs & Maintenance | 0.00 | 0.00 | 21.71 | (21.71) | 0.0% |
| 522 20 35 1000 Miscellaneous Expense: Small Tools & Minor Equipment | 0.00 | 0.00 | 0.00 | 0.00 | 0.0% |
| 010 Misc Expenses | 10,000.00 | 508.16 | 1,578.06 | 8,421.94 | 15.8% |
| 522 10 49 1000 Memberships and Subscriptions: PS | 0.00 | 223.65 | 8,092.20 | (8,092.20) | 0.0% |
| 522 10 49 2000 Miscellaneous: PS | 50,000.00 | 13,745.53 | 53,752.14 | (3,752.14) | 107.5% |
| 011 Professional Services | 50,000.00 | 13,969.18 | 61,844.34 | (11,844.34) | 123.7% |
| 522 10 10 0001 Admin Staff Salaries and Wages | 0.00 | 60,344.51 | 245,155.94 | (245,155.94) | 0.0% |
| 522 10 10 9999 Payroll Clearing | 0.00 | 0.00 | 0.00 | 0.00 | 0.0% |
| 522 20 10 0001 Firefighter/EMT Staff Salaries | 3,950,000.00 | 152,922.94 | 600,714.37 | 3,349,285.63 | 15.2% |
| 522 20 10 3000 Firefighter OT | 0.00 | 0.00 | 0.00 | 0.00 | 0.0% |
| 522 71 10 0001 Firefighter/paramedic Staff Salaries | 0.00 | 123,130.36 | 488,950.64 | (488,950.64) | 0.0% |
| 589 99 00 0000 Payroll Benefits Clearing | 0.00 | 0.00 | 0.00 | 0.00 | 0.0% |
| 012 Salaries | 3,950,000.00 | 336,397.81 | 1,334,820.95 | 2,615,179.05 | 33.8% |
| 522 45 31 6000 Chaplain Training Supplies | 0.00 | 0.00 | 0.00 | 0.00 | 0.0% |
| 013 Chaplain Program | 0.00 | 0.00 | 0.00 | 0.00 | 0.0% |
| 522 20 10 3001 Wildland OT | 0.00 | 0.00 | 0.00 | 0.00 | 0.0% |
| 014 Wildland OT Salaries | 0.00 | 0.00 | 0.00 | 0.00 | 0.0% |
| 001 Bakken | 5,417,000.00 | 513,772.51 | 1,986,575.57 | 3,430,424.43 | 36.7% |
| 002 Cleveland | | | | | |
| 522 20 31 1000 Station Amenities | 6,000.00 | 0.00 | 285.36 | 5,714.64 | 4.8% |
| 001 Amenities | 6,000.00 | 0.00 | 285.36 | 5,714.64 | 4.8% |
| 522 10 31 0514 Station Supplies: OOS | 15,000.00 | 1,173.08 | 5,403.90 | 9,596.10 | 36.0% |
| 522 10 35 0516 Small Tools & Minor Equipment: (Station Supplies) | 0.00 | 0.00 | 0.00 | 0.00 | 0.0% |
| 522 10 49 0519 Station Supplies: Miscellaneous | 0.00 | 0.00 | 0.00 | 0.00 | 0.0% |

2026 BUDGET POSITION

North Mason Regional Fire Authority

Time: 10:03:48 Date: 04/10/2026

Page: 5

001 General Expense Fund

| Expenditures | Amt Budgeted | April | YTD | Remaining | |
|--------------|--------------|-------|-----|-----------|--|
|--------------|--------------|-------|-----|-----------|--|

002 Cleveland

| | | | | | |
|--|-----------|----------|-----------|------------|-------|
| 002 Station Supplies | 15,000.00 | 1,173.08 | 5,403.90 | 9,596.10 | 36.0% |
| 522 20 20 3000 Class A Uniforms: PB | 0.00 | 0.00 | 0.00 | 0.00 | 0.0% |
| 522 20 20 4000 Class B Uniforms: PB | 18,000.00 | 1,113.25 | 6,053.58 | 11,946.42 | 33.6% |
| 522 20 31 2000 Miscellaneous Uniforms: OOS | 0.00 | 2,635.17 | 4,801.58 | (4,801.58) | 0.0% |
| 522 20 41 1000 Uniform Repairs and Alterations: PS | 0.00 | 0.00 | 0.00 | 0.00 | 0.0% |
| 003 Uniforms | 18,000.00 | 3,748.42 | 10,855.16 | 7,144.84 | 60.3% |
| 522 20 31 3000 Personal Protective Equipment (PPE): OOS- Full Sets | 40,000.00 | 0.00 | 0.00 | 40,000.00 | 0.0% |
| 522 20 31 4000 PPE- Bunker Boot Reimbursement | 0.00 | 0.00 | 0.00 | 0.00 | 0.0% |
| 522 20 31 5000 Miscellaneous PPE Purchasing | 0.00 | 1,264.41 | 4,559.41 | (4,559.41) | 0.0% |
| 522 20 48 1000 PPE Repair and Maintenance | 0.00 | 0.00 | 814.50 | (814.50) | 0.0% |
| 004 PPE | 40,000.00 | 1,264.41 | 5,373.91 | 34,626.09 | 13.4% |
| 522 41 31 0000 Training External - Supplies (Training) | 0.00 | 0.00 | 2,369.41 | (2,369.41) | 0.0% |
| 522 41 35 0000 Training External - Small Tools Minor Equipment (Training) | 0.00 | 0.00 | 0.00 | 0.00 | 0.0% |
| 522 41 41 0000 Training External - Services (Training) | 0.00 | 0.00 | 0.00 | 0.00 | 0.0% |
| 522 41 49 0000 Training External - Miscellaneous (Training) | 0.00 | 0.00 | 680.88 | (680.88) | 0.0% |
| 522 45 31 0001 Office & Operating Supplies: Fire (Training) | 0.00 | 0.00 | 348.95 | (348.95) | 0.0% |
| 522 45 41 0001 Fire (Training): PS | 48,410.00 | 1,300.00 | 2,264.76 | 46,145.24 | 4.7% |
| 522 45 43 0001 Fire Training : Travel | 0.00 | 0.00 | 205.41 | (205.41) | 0.0% |
| 522 45 49 0001 Miscellaneous: (Fire Training) | 0.00 | 394.55 | 1,427.89 | (1,427.89) | 0.0% |
| 522 74 31 0053 EMS (Training): OOS | 0.00 | 0.00 | 0.00 | 0.00 | 0.0% |
| 522 74 35 0388 Small Tools & Minor Equipment: EMS (Training) | 0.00 | 0.00 | 0.00 | 0.00 | 0.0% |
| 522 74 41 0054 EMS (Training): PS | 0.00 | 0.00 | 0.00 | 0.00 | 0.0% |
| 522 74 43 0104 EMS (Training): Travel | 0.00 | 0.00 | 0.00 | 0.00 | 0.0% |
| 522 74 49 0389 EMS (Training): Miscellaneous | 0.00 | 0.00 | 33.03 | (33.03) | 0.0% |

| | | | | | |
|--------------|-----------|----------|----------|-----------|-------|
| 005 Training | 48,410.00 | 1,694.55 | 7,330.33 | 41,079.67 | 15.1% |
|--------------|-----------|----------|----------|-----------|-------|

| | | | | | |
|---------------|------------|----------|-----------|-----------|-------|
| 002 Cleveland | 127,410.00 | 7,880.46 | 29,248.66 | 98,161.34 | 23.0% |
|---------------|------------|----------|-----------|-----------|-------|

003 Cooper

| | | | | | |
|---|-----------|----------|----------|-----------|--------|
| 522 45 31 3000 Fire Academy: OOS | 0.00 | 0.00 | 0.00 | 0.00 | 0.0% |
| 522 45 41 3000 Fire Academy: PS | 35,000.00 | 0.00 | 0.00 | 35,000.00 | 0.0% |
| 522 45 49 3000 Fire Academy: Miscellaneous | 0.00 | 0.00 | 0.00 | 0.00 | 0.0% |
| 001 Fire Academy | 35,000.00 | 0.00 | 0.00 | 35,000.00 | 0.0% |
| 522 10 31 4000 Awards & Recognition: OOS | 2,000.00 | 1,000.00 | 2,196.76 | (196.76) | 109.8% |
| 522 10 49 3000 Awards & Recognition & Code 13: Miscellaneous | 0.00 | 0.00 | 0.00 | 0.00 | 0.0% |
| 002 Awards & Recognition | 2,000.00 | 1,000.00 | 2,196.76 | (196.76) | 109.8% |
| 522 50 31 0100 Building Maintenance: OOS | 35,000.00 | 311.46 | 1,318.87 | 33,681.13 | 3.8% |

2026 BUDGET POSITION

North Mason Regional Fire Authority

Time: 10:03:48 Date: 04/10/2026

Page: 6

001 General Expense Fund

| Expenditures | Amt Budgeted | April | YTD | Remaining | |
|---|--------------|----------|-----------|-------------|-------|
| 003 Cooper | | | | | |
| 522 50 41 0200 Building Maintenance: PS | 0.00 | 525.61 | 13,167.24 | (13,167.24) | 0.0% |
| 522 50 48 0300 Buildings Maintenance: Repair & Maintenance | 0.00 | 54.82 | 778.93 | (778.93) | 0.0% |
| 522 50 49 0385 Building Maintenance: Miscellaneous | 0.00 | 0.00 | 1,677.34 | (1,677.34) | 0.0% |
| 003 Building Maintenance | 35,000.00 | 891.89 | 16,942.38 | 18,057.62 | 48.4% |
| 522 20 40 0015 Macecom Dispatching Service: PS | 51,156.00 | 0.00 | 0.00 | 51,156.00 | 0.0% |
| 004 Dispatch | 51,156.00 | 0.00 | 0.00 | 51,156.00 | 0.0% |
| 522 45 42 0001 Communications: (Fire Training) | 0.00 | 0.00 | 656.00 | (656.00) | 0.0% |
| 005 Employee Assistance Plan (EAP) | 0.00 | 0.00 | 656.00 | (656.00) | 0.0% |
| 522 45 31 0004 Career Staff Education Training: OOS | 0.00 | 117.67 | 222.60 | (222.60) | 0.0% |
| 522 45 35 0001 Small Tools and Minor Equipment: Fire (Training) | 0.00 | 0.00 | 0.00 | 0.00 | 0.0% |
| 522 45 41 0004 Career Staff Education Training: PS | 15,000.00 | 1,650.00 | 6,692.90 | 8,307.10 | 44.6% |
| 522 45 43 0003 Career Staff Education Training: Travel | 0.00 | 0.00 | 0.00 | 0.00 | 0.0% |
| 522 45 49 0004 Career Staff Education Training: Miscellaneous | 0.00 | 0.00 | 0.00 | 0.00 | 0.0% |
| 006 Career Staff Education | 15,000.00 | 1,767.67 | 6,915.50 | 8,084.50 | 46.1% |
| 522 10 42 1000 Station 21 Telephone & Internet | 0.00 | 733.58 | 2,878.75 | (2,878.75) | 0.0% |
| 522 10 42 2000 Station 27 Telephone & Internet | 0.00 | 501.85 | 1,886.97 | (1,886.97) | 0.0% |
| 522 10 42 3000 Station 24 Telephone & Fire Alarm | 0.00 | 0.00 | 97.65 | (97.65) | 0.0% |
| 522 10 42 4000 Station 81 Telephone & Internet | 0.00 | 0.00 | 0.00 | 0.00 | 0.0% |
| 522 10 42 6000 Station 23 Telephone & Internet | 0.00 | 0.00 | 0.00 | 0.00 | 0.0% |
| 522 10 47 1000 Station 21 & 21-2 Utilities (Power, Water, Cable, Gas) | 0.00 | 527.32 | 1,479.77 | (1,479.77) | 0.0% |
| 522 10 47 1100 Station 83 Utilities (Power) | 0.00 | 159.35 | 668.18 | (668.18) | 0.0% |
| 522 10 47 2000 Station 22 Utilities (Power) | 0.00 | 356.54 | 1,143.76 | (1,143.76) | 0.0% |
| 522 10 47 3000 Station 23 Utilities (Power, Water) | 0.00 | 380.83 | 1,504.27 | (1,504.27) | 0.0% |
| 522 10 47 3001 Station 23 - Crew Qtrs Utilities (Power, Water, Cable) | 0.00 | 482.23 | 1,577.74 | (1,577.74) | 0.0% |
| 522 10 47 4000 Station 24 Utilities (Power, Water) | 0.00 | 223.18 | 912.96 | (912.96) | 0.0% |
| 522 10 47 5000 Station 25 Utilities (Power) | 0.00 | 74.89 | 311.46 | (311.46) | 0.0% |
| 522 10 47 6000 Station 27 Utilities (Power, Water, Cable, Propane) | 0.00 | 512.58 | 2,292.59 | (2,292.59) | 0.0% |
| 522 10 47 7000 Station 21 New Headquarters (Power, Water, Utilities) | 100,000.00 | 3,401.28 | 16,919.38 | 83,080.62 | 16.9% |
| 522 10 47 8000 Station 81 Utilities (Power, Water, Cable, Propane) | 0.00 | 620.05 | 2,590.15 | (2,590.15) | 0.0% |
| 522 10 47 9000 Station 82 Utilities (Power, Water) | 0.00 | 328.13 | 1,030.45 | (1,030.45) | 0.0% |
| 009 Utilities | 100,000.00 | 8,301.81 | 35,294.08 | 64,705.92 | 35.3% |
| 522 20 32 0010 Vehicle Fuel Consumed | 80,000.00 | 7,986.28 | 28,093.04 | 51,906.96 | 35.1% |
| 010 Vehicle Fuel | 80,000.00 | 7,986.28 | 28,093.04 | 51,906.96 | 35.1% |
| 522 60 31 0457 Vehicle Preventative Maintenance Parts: OOS | 42,000.00 | 0.00 | 0.00 | 42,000.00 | 0.0% |

2026 BUDGET POSITION

North Mason Regional Fire Authority

Time: 10:03:48 Date: 04/10/2026

Page: 7

001 General Expense Fund

| Expenditures | Amt Budgeted | April | YTD | Remaining | |
|---|-------------------|------------------|-------------------|-------------------|--------------|
| 003 Cooper | | | | | |
| 522 60 48 1000 Fire Engine Preventative Maintenance | 0.00 | 0.00 | 11,068.15 | (11,068.15) | 0.0% |
| 522 60 48 2000 Tender Preventative Maintenance | 0.00 | 0.00 | 6,318.88 | (6,318.88) | 0.0% |
| 522 60 48 3000 Brush Truck Preventative Maintenance | 0.00 | 0.00 | 0.00 | 0.00 | 0.0% |
| 522 60 48 4000 Staff Car Preventative Maintenance | 0.00 | 0.00 | 636.83 | (636.83) | 0.0% |
| 522 60 48 5000 Generator Preventative Maintenance | 0.00 | 0.00 | 3,009.23 | (3,009.23) | 0.0% |
| 522 76 48 1000 Aid/Medic Unit Preventative Maintenance | 0.00 | 0.00 | 4,142.11 | (4,142.11) | 0.0% |
| 011 Vehicle Preventative Maintenance | 42,000.00 | 0.00 | 25,175.20 | 16,824.80 | 59.9% |
| 522 60 31 0144 Vehicle Repairs: OOS | 80,000.00 | 273.54 | 21,183.45 | 58,816.55 | 26.5% |
| 522 60 35 0384 Small Tools and Minor Equipment: (Vehicle Repairs) | 0.00 | 100.51 | 644.81 | (644.81) | 0.0% |
| 522 60 48 6000 Vehicle Repairs and Maintenance-Labor | 0.00 | 0.00 | 0.00 | 0.00 | 0.0% |
| 522 60 48 7000 Tire and Wheel Repair & Maint. (D8 Engines) | 0.00 | 0.00 | 1,027.87 | (1,027.87) | 0.0% |
| 522 76 31 0451 Small Tools and Minor Equipment: (Vehicle Repairs) | 0.00 | 0.00 | 0.00 | 0.00 | 0.0% |
| 522 76 48 0452 Small Tools and Minor Equipment: (Vehicle Repairs) | 0.00 | 0.00 | 0.00 | 0.00 | 0.0% |
| 012 Vehicle Repair | 80,000.00 | 374.05 | 22,856.13 | 57,143.87 | 28.6% |
| 522 21 20 0020 Social Security and Medicare | 0.00 | 0.00 | 0.00 | 0.00 | 0.0% |
| 522 22 20 0020 Social Security and Medicare | 0.00 | 0.00 | 0.00 | 0.00 | 0.0% |
| 522 22 49 0002 Volunteer Personnel Stipends | 30,000.00 | 1,162.62 | 5,296.38 | 24,703.62 | 17.7% |
| 013 Volunteer Stipends | 30,000.00 | 1,162.62 | 5,296.38 | 24,703.62 | 17.7% |
| 522 71 41 1000 Infectious Disease Compliance: PS | 4,000.00 | 0.00 | 0.00 | 4,000.00 | 0.0% |
| 522 71 41 2000 LEOFF2 Physicals: PS | 0.00 | 0.00 | 0.00 | 0.00 | 0.0% |
| 522 71 41 3000 BVFF Physicals: PS | 0.00 | 212.00 | 318.00 | (318.00) | 0.0% |
| 522 71 41 4000 CPAT Testing: PS | 0.00 | 0.00 | 0.00 | 0.00 | 0.0% |
| 522 71 41 5000 Respiratory Questionnaire | 0.00 | 0.00 | 0.00 | 0.00 | 0.0% |
| 014 WAC | 4,000.00 | 212.00 | 318.00 | 3,682.00 | 8.0% |
| 522 21 49 0002 Student Firefighter Program: OOS | 40,000.00 | 3,444.80 | 12,918.00 | 27,082.00 | 32.3% |
| 015 Student FF | 40,000.00 | 3,444.80 | 12,918.00 | 27,082.00 | 32.3% |
| 003 Cooper | 514,156.00 | 25,141.12 | 156,661.47 | 357,494.53 | 30.5% |
| 004 Ehresman | | | | | |
| 522 77 41 0030 GEMT Intergovernmental Transfer Fee | 0.00 | 0.00 | 0.00 | 0.00 | 0.0% |
| 522 77 41 0038 Ambulance Billing Fee: PS | 25,000.00 | 2,159.53 | 8,966.34 | 16,033.66 | 35.9% |
| 001 Ambulance Billing | 25,000.00 | 2,159.53 | 8,966.34 | 16,033.66 | 35.9% |
| 522 71 41 7000 MPD/QA (Hoffman): PS | 20,000.00 | 0.00 | 20,152.00 | (152.00) | 100.8% |
| 522 72 31 1000 EMS Supplies: OOS | 100,000.00 | 4,799.36 | 31,987.75 | 68,012.25 | 32.0% |

2026 BUDGET POSITION

North Mason Regional Fire Authority

Time: 10:03:48 Date: 04/10/2026

Page: 8

001 General Expense Fund

| Expenditures | Amt Budgeted | April | YTD | Remaining | |
|---|-------------------|-----------------|------------------|-------------------|---------------|
| 004 Ehresman | | | | | |
| 522 72 35 1000 EMS Equipment And Tools | 35,000.00 | 0.00 | 5,305.92 | 29,694.08 | 15.2% |
| 522 72 41 1000 ESO/ERS Database And Reporting: PS | 0.00 | 0.00 | 10,871.08 | (10,871.08) | 0.0% |
| 522 72 41 2000 Gurney Repair and Maintenance: PS | 0.00 | 0.00 | 0.00 | 0.00 | 0.0% |
| 522 72 48 1000 Ems Equipment Repair and Maintenance | 0.00 | 0.00 | 0.00 | 0.00 | 0.0% |
| 522 72 48 2000 EKG Monitor Repair and Maintenance | 0.00 | 0.00 | 1,710.45 | (1,710.45) | 0.0% |
| 002 EMS | 155,000.00 | 4,799.36 | 70,027.20 | 84,972.80 | 45.2% |
| 522 20 31 9000 Wellness Supplies | 8,000.00 | 0.00 | 0.00 | 8,000.00 | 0.0% |
| 522 20 35 0100 Wellness Equipment | 0.00 | 0.00 | (336.16) | 336.16 | 0.0% |
| 522 20 48 4000 Wellness Equipment Repairs & Maintenance | 0.00 | 0.00 | 0.00 | 0.00 | 0.0% |
| 003 Wellness | 8,000.00 | 0.00 | (336.16) | 8,336.16 | 4.2% |
| 522 10 42 5000 Cell Phones | 15,000.00 | 1,115.54 | 4,369.91 | 10,630.09 | 29.1% |
| 005 Phones, Devices, Telecommunications | 15,000.00 | 1,115.54 | 4,369.91 | 10,630.09 | 29.1% |
| 004 Ehresman | 203,000.00 | 8,074.43 | 83,027.29 | 119,972.71 | 40.9% |
| 005 Gardner (EPS) | | | | | |
| 522 30 31 1000 Community Outreach Program: OOS | 12,000.00 | 0.00 | 139.70 | 11,860.30 | 1.2% |
| 522 30 41 2000 Community Outreach Program: PS | 0.00 | 807.47 | 807.47 | (807.47) | 0.0% |
| 522 45 31 0007 Community Outreach Program Training: OOS | 0.00 | 0.00 | 0.00 | 0.00 | 0.0% |
| 522 45 43 0005 Community Outreach Program Training: Travel | 0.00 | 0.00 | 0.00 | 0.00 | 0.0% |
| 001 Community Outreach Program (COP) | 12,000.00 | 807.47 | 947.17 | 11,052.83 | 7.9% |
| 522 30 31 3000 Community Newsletter: OOS | 6,000.00 | 0.00 | 0.00 | 6,000.00 | 0.0% |
| 522 30 41 4000 Community Newsletter: PS | 0.00 | 0.00 | 11,089.36 | (11,089.36) | 0.0% |
| 002 Newsletter | 6,000.00 | 0.00 | 11,089.36 | (5,089.36) | 184.8% |
| 005 Gardner (EPS) | 18,000.00 | 807.47 | 12,036.53 | 5,963.47 | 66.9% |
| 006 McCormick | | | | | |
| 522 10 44 1000 Advertising: (Legal Advertisements/Subscriptions) | 2,000.00 | 0.00 | 0.00 | 2,000.00 | 0.0% |
| 001 Advertising | 2,000.00 | 0.00 | 0.00 | 2,000.00 | 0.0% |
| 522 10 31 0100 Office & Operating Supplies | 5,000.00 | 168.83 | 617.12 | 4,382.88 | 12.3% |
| 002 Office Supplies | 5,000.00 | 168.83 | 617.12 | 4,382.88 | 12.3% |
| 522 10 42 0001 Postage: OOS | 2,500.00 | 35.00 | 409.08 | 2,090.92 | 16.4% |
| 003 Postage | 2,500.00 | 35.00 | 409.08 | 2,090.92 | 16.4% |

2026 BUDGET POSITION

North Mason Regional Fire Authority

Time: 10:03:48 Date: 04/10/2026

Page: 9

001 General Expense Fund

| Expenditures | Amt Budgeted | April | YTD | Remaining | |
|---|------------------|------------------|------------------|------------------|--------------|
| 006 McCormick | | | | | |
| 522 20 20 0070 Volunteer Pension and Disability | 2,000.00 | 0.00 | 2,010.00 | (10.00) | 100.5% |
| 004 Volunteer Pension and Disability | 2,000.00 | 0.00 | 2,010.00 | (10.00) | 100.5% |
| 522 45 41 0002 Fire Marshall Training (Reimburseable) | 0.00 | 0.00 | 0.00 | 0.00 | 0.0% |
| 005 Fire Marshall Training | 0.00 | 0.00 | 0.00 | 0.00 | 0.0% |
| 522 10 31 0001 Department Dinner: OOS | 16,000.00 | 0.00 | 3,102.51 | 12,897.49 | 19.4% |
| 522 10 41 0002 Department Dinner: PS | 0.00 | 9,846.37 | 13,291.47 | (13,291.47) | 0.0% |
| 006 Department Dinner | 16,000.00 | 9,846.37 | 16,393.98 | (393.98) | 102.5% |
| 006 McCormick | 27,500.00 | 10,050.20 | 19,430.18 | 8,069.82 | 70.7% |
| 007 Cloud | | | | | |
| 522 20 31 7000 CRT Equipment and Supplies: OOS | 5,000.00 | 0.00 | 0.00 | 5,000.00 | 0.0% |
| 522 20 31 8000 CRT Uniforms | 0.00 | 0.00 | 0.00 | 0.00 | 0.0% |
| 522 45 31 4000 CRT Training (Ongoing Training): OOS | 0.00 | 0.00 | 0.00 | 0.00 | 0.0% |
| 522 45 31 5000 CRT Training Supplies (New Class): OOS | 0.00 | 0.00 | 0.00 | 0.00 | 0.0% |
| 001 CRT | 5,000.00 | 0.00 | 0.00 | 5,000.00 | 0.0% |
| 522 20 31 6000 Safety Committee Equipment: OOS | 7,000.00 | 0.00 | 268.55 | 6,731.45 | 3.8% |
| 522 20 41 2000 Safety Professional Services: PS | 0.00 | 0.00 | 0.00 | 0.00 | 0.0% |
| 522 20 48 2000 Safety Repairs and Maintenance | 0.00 | 0.00 | 0.00 | 0.00 | 0.0% |
| 002 Safety | 7,000.00 | 0.00 | 268.55 | 6,731.45 | 3.8% |
| 007 Cloud | 12,000.00 | 0.00 | 268.55 | 11,731.45 | 2.2% |
| 009 Rhead | | | | | |
| 522 20 35 0010 Fire Equipment | 30,000.00 | 0.00 | 0.00 | 30,000.00 | 0.0% |
| 522 20 35 0020 Small Engine Equipment | 0.00 | 0.00 | 58.28 | (58.28) | 0.0% |
| 522 20 35 0030 Appliances and Nozzles | 0.00 | 623.01 | 623.01 | (623.01) | 0.0% |
| 522 20 35 0040 Extrication Equipment | 0.00 | 917.34 | 1,954.46 | (1,954.46) | 0.0% |
| 522 20 35 0050 Hand Tools | 0.00 | 0.00 | 0.00 | 0.00 | 0.0% |
| 522 20 35 0060 Hand Held Equipment | 0.00 | 77.07 | 4,706.33 | (4,706.33) | 0.0% |
| 522 20 35 0070 Ladders | 0.00 | 0.00 | 0.00 | 0.00 | 0.0% |
| 522 20 35 0090 Miscellaneous Items | 0.00 | 16.76 | 268.86 | (268.86) | 0.0% |
| 522 20 48 0080 Repairs & Maintenance: Repairs & Maintenance | 0.00 | 21.70 | 21.70 | (21.70) | 0.0% |
| 522 20 48 3000 Radio Repairs & Maintenance | 0.00 | 0.00 | 0.00 | 0.00 | 0.0% |
| 001 Equipment Replacement | 30,000.00 | 1,655.88 | 7,632.64 | 22,367.36 | 25.4% |
| 522 20 35 0200 Fire Equipment Reserve | 231,628.98 | 0.00 | 0.00 | 231,628.98 | 0.0% |
| 002 Equipment Reserve | 231,628.98 | 0.00 | 0.00 | 231,628.98 | 0.0% |
| 522 50 48 0001 Hose Testing | 20,000.00 | 0.00 | 0.00 | 20,000.00 | 0.0% |
| 522 50 48 0002 Ladder Testing | 0.00 | 0.00 | 0.00 | 0.00 | 0.0% |

2026 BUDGET POSITION

North Mason Regional Fire Authority

Time: 10:03:48 Date: 04/10/2026

Page: 10

001 General Expense Fund

| Expenditures | Amt Budgeted | April | YTD | Remaining | |
|---|--------------|----------|-----------|-------------|-------|
| 009 Rhead | | | | | |
| 522 50 48 0003 Extinguisher Testing | 0.00 | 0.00 | 363.76 | (363.76) | 0.0% |
| 003 Equipment Testing | 20,000.00 | 0.00 | 363.76 | 19,636.24 | 1.8% |
| 522 20 35 2000 Radio & Radio Equipment Purchasing | 10,000.00 | 0.00 | 3,992.57 | 6,007.43 | 39.9% |
| 522 20 41 3000 Radio Install/Work and Professional Services | 0.00 | 0.00 | 0.00 | 0.00 | 0.0% |
| 004 Radios | 10,000.00 | 0.00 | 3,992.57 | 6,007.43 | 39.9% |
| 522 45 31 0006 ORV Training Supplies | 3,500.00 | 0.00 | 0.00 | 3,500.00 | 0.0% |
| 522 45 41 0007 ORV Training Services | 0.00 | 0.00 | 0.00 | 0.00 | 0.0% |
| 522 50 48 1000 ORV Repair and Maintenance | 0.00 | 1,995.47 | 2,346.31 | (2,346.31) | 0.0% |
| 005 ORV | 3,500.00 | 1,995.47 | 2,346.31 | 1,153.69 | 67.0% |
| 522 20 31 0005 Wildland Programs: OOS | 15,000.00 | 0.00 | 0.00 | 15,000.00 | 0.0% |
| 522 20 48 5000 Wildland Equipment Replacement | 0.00 | 0.00 | 33.20 | (33.20) | 0.0% |
| 522 60 48 8000 Brush Truck Repair | 0.00 | 0.00 | 0.00 | 0.00 | 0.0% |
| 006 Wildland | 15,000.00 | 0.00 | 33.20 | 14,966.80 | 0.2% |
| 522 20 35 0110 SCBA Upgrades | 0.00 | 0.00 | 0.00 | 0.00 | 0.0% |
| 522 20 41 0002 Air Analysis | 0.00 | 0.00 | 0.00 | 0.00 | 0.0% |
| 522 20 48 0003 Flow Testing | 0.00 | 0.00 | 0.00 | 0.00 | 0.0% |
| 522 20 48 0004 Compressor Service & Repairs | 12,000.00 | 0.00 | 0.00 | 12,000.00 | 0.0% |
| 522 20 48 0005 Cylinder Repair | 0.00 | 0.00 | 0.00 | 0.00 | 0.0% |
| 522 20 48 0006 SCBA Pack Repair | 0.00 | 0.00 | 0.00 | 0.00 | 0.0% |
| 522 20 48 0007 SCBA Mask Repair | 0.00 | 0.00 | 681.49 | (681.49) | 0.0% |
| 007 SCBA | 12,000.00 | 0.00 | 681.49 | 11,318.51 | 5.7% |
| 009 Rhead | 322,128.98 | 3,651.35 | 15,049.97 | 307,079.01 | 4.7% |
| 010 Reimbursable Expenses | | | | | |
| 522 10 31 0002 Department Dinner: OOS Reimureable | 0.00 | 1,200.00 | 2,369.85 | (2,369.85) | 0.0% |
| 522 10 31 0515 St 23 Supplies-Reimburseable | 0.00 | 0.00 | 0.00 | 0.00 | 0.0% |
| 522 10 31 1001 Computer Hardware: OOS Reimburseable | 0.00 | 0.00 | 0.00 | 0.00 | 0.0% |
| 522 10 31 3001 Miscellaneous Expense: OOS - Reimburseable | 0.00 | 0.00 | 98.76 | (98.76) | 0.0% |
| 522 10 31 3004 Miscellaneous Expense: MIHP Reimburseable | 0.00 | 0.00 | 1,444.95 | (1,444.95) | 0.0% |
| 522 10 49 2001 Miscellaneous PS - Reimburseable | 0.00 | 0.00 | 0.00 | 0.00 | 0.0% |
| 522 10 49 4000 QRT Services | 0.00 | 0.00 | 0.00 | 0.00 | 0.0% |
| 522 20 31 0006 Wildland Programs: OOS Reimburseable | 0.00 | 3,446.13 | 3,446.13 | (3,446.13) | 0.0% |
| 522 20 31 5001 Misc PPE Reimburseable | 0.00 | 0.00 | 23.74 | (23.74) | 0.0% |
| 522 20 31 6001 Safety Committee Equip-Grant Reimburseable | 0.00 | 814.49 | 814.49 | (814.49) | 0.0% |
| 522 20 35 0015 AFG Grant: Hose and Nozzle | 0.00 | 0.00 | 0.00 | 0.00 | 0.0% |
| 522 20 35 0091 Miscellaneous Items: Reimburseable | 0.00 | 0.00 | 25,855.37 | (25,855.37) | 0.0% |
| 522 20 48 5001 Wildland Equip Reimburseable | 0.00 | 0.00 | 0.00 | 0.00 | 0.0% |

2026 BUDGET POSITION

North Mason Regional Fire Authority

Time: 10:03:48 Date: 04/10/2026

Page: 11

001 General Expense Fund

| Expenditures | Amt Budgeted | April | YTD | Remaining | | |
|---|---|-------------------|------------------|-------------------|--------------------|--------------|
| 010 Reimbursable Expenses | | | | | | |
| 522 30 31 1001 | Community Outreach OOS - Bike Helmet | 0.00 | 0.00 | 0.00 | 0.00 | 0.0% |
| 522 30 31 1002 | Community Outreach OOS - Smoke Detectors | 0.00 | 0.00 | 0.00 | 0.00 | 0.0% |
| 522 30 31 1003 | Community Outreach: DOC CPR | 0.00 | 0.00 | 0.00 | 0.00 | 0.0% |
| 522 30 41 2001 | Community Outreach Program: PS-Reimbursable | 0.00 | 3,587.79 | 5,678.87 | (5,678.87) | 0.0% |
| 522 45 41 1001 | Fire (Training) PS Reimbursable | 0.00 | 0.00 | 0.00 | 0.00 | 0.0% |
| 522 45 41 4000 | Fire Academy: PS Reimbursable | 0.00 | 0.00 | 0.00 | 0.00 | 0.0% |
| 522 45 43 1002 | Admin Staff Training: Travel Reimbursable | 0.00 | 0.00 | 0.00 | 0.00 | 0.0% |
| 522 50 41 0201 | Building Maintenance PS - Reimbursable | 0.00 | 0.00 | 0.00 | 0.00 | 0.0% |
| 522 60 31 0145 | Vehicle Repairs OOS - Reimbursable | 0.00 | 380.10 | 1,517.34 | (1,517.34) | 0.0% |
| 522 72 35 1001 | EMS Equipment And Tools - Reimbursable | 0.00 | 0.00 | 87.00 | (87.00) | 0.0% |
| 594 22 63 3000 | Capital Expenditures - Reimbursable | 0.00 | 0.00 | 0.00 | 0.00 | 0.0% |
| 594 22 63 4000 | Capital Expenditures - Solar Project/Grant | 0.00 | 0.00 | 0.00 | 0.00 | 0.0% |
| 010 Reimbursable Expenses | | 0.00 | 9,428.51 | 41,336.50 | (41,336.50) | 0.0% |
| 011 MIHP | | | | | | |
| 522 10 31 0200 | Office Supplies: MIHP | 0.00 | 0.00 | 0.00 | 0.00 | 0.0% |
| 522 10 31 3002 | Miscellaneous Expenses: OOS MIHP | 0.00 | 0.00 | 252.58 | (252.58) | 0.0% |
| 522 10 31 5000 | Computer Hardware: MIHP | 0.00 | 0.00 | 346.42 | (346.42) | 0.0% |
| 522 10 49 1001 | Memberships And Subscriptions: PS MIH | 0.00 | 0.00 | 0.00 | 0.00 | 0.0% |
| 522 10 49 7000 | Professional Services-MIHP | 12,000.00 | 1,726.25 | 17,990.06 | (5,990.06) | 149.9% |
| 522 20 20 4001 | Uniforms: MIHP | 0.00 | 0.00 | 0.00 | 0.00 | 0.0% |
| 522 45 43 1001 | Staff Training: Travel MIHP | 0.00 | 0.00 | 58.40 | (58.40) | 0.0% |
| 522 60 31 0146 | Vehicle Repairs-MIHP | 0.00 | 0.00 | 0.00 | 0.00 | 0.0% |
| 522 60 31 0458 | Vehicle Preventative Maint-MIHP | 0.00 | 152.42 | 291.67 | (291.67) | 0.0% |
| 522 60 31 0459 | Vehicle Preventative Maint-S MIHP | 0.00 | 0.00 | 0.00 | 0.00 | 0.0% |
| 522 72 31 4000 | EMS Supplies/Medication: MIHP | 35,000.00 | 183.93 | 1,119.15 | 33,880.85 | 3.2% |
| 522 74 31 0055 | EMS Training: MIHP | 0.00 | 0.00 | 0.00 | 0.00 | 0.0% |
| 594 22 63 1008 | Capital Expenditures - MIHP | 0.00 | 0.00 | 0.00 | 0.00 | 0.0% |
| 001 Mobile Integrated Health Program | | 47,000.00 | 2,062.60 | 20,058.28 | 26,941.72 | 42.7% |
| 522 72 10 0001 | MIHP Program Salaries & Wages | 580,000.00 | 37,002.84 | 158,401.14 | 421,598.86 | 27.3% |
| 522 72 20 0010 | MIHP Labor And Industry Insurance | 0.00 | 105.63 | 411.04 | (411.04) | 0.0% |
| 522 72 20 0020 | MIHP Medicare | 0.00 | 536.54 | 2,296.81 | (2,296.81) | 0.0% |
| 522 72 20 0030 | MIHP WA State Retirement | 0.00 | 2,036.85 | 8,727.15 | (8,727.15) | 0.0% |
| 522 72 20 0040 | MIHP HRA, HI, DC, Disability | 0.00 | 6,455.03 | 21,261.30 | (21,261.30) | 0.0% |
| 002 MIHP Salary/Benefits | | 580,000.00 | 46,136.89 | 191,097.44 | 388,902.56 | 32.9% |
| 522 10 49 8000 | Psych Nurse Mental Health | 190,000.00 | 12,760.00 | 45,375.00 | 144,625.00 | 23.9% |

2026 BUDGET POSITION

North Mason Regional Fire Authority

Time: 10:03:48 Date: 04/10/2026

Page: 12

001 General Expense Fund

| Expenditures | Amt Budgeted | April | YTD | Remaining | |
|---|-------------------|------------------|-------------------|-------------------|--------------|
| 011 MIHP | | | | | |
| 003 Mental Health | 190,000.00 | 12,760.00 | 45,375.00 | 144,625.00 | 23.9% |
| 522 10 31 0300 Office Supplies: South MIHP | 0.00 | 15.15 | 15.15 | (15.15) | 0.0% |
| 522 10 31 3003 Miscellaneous Expenses: South MIHP | 0.00 | 0.00 | 252.58 | (252.58) | 0.0% |
| 522 10 31 6000 Computer Hardware: South MIHP | 0.00 | 2,671.01 | 2,671.01 | (2,671.01) | 0.0% |
| 522 10 49 7001 Professional Svc- South MIHP | 0.00 | 0.00 | 1,216.72 | (1,216.72) | 0.0% |
| 522 20 20 4002 Uniforms: South MIHP | 0.00 | 0.00 | 661.65 | (661.65) | 0.0% |
| 522 60 31 0147 Vehicle Repairs-S MIHP | 0.00 | 7,123.02 | 7,123.02 | (7,123.02) | 0.0% |
| 522 72 35 5000 EMS Supplies/Medication: South MIHP | 0.00 | 422.68 | 1,090.38 | (1,090.38) | 0.0% |
| 522 74 31 0056 EMS Training: South MIHP | 0.00 | 0.00 | 220.33 | (220.33) | 0.0% |
| 594 22 63 1009 Capital Expenditures - South MIHP | 0.00 | 0.00 | 0.00 | 0.00 | 0.0% |
| 005 South MIHP Expansion | 0.00 | 10,231.86 | 13,250.84 | (13,250.84) | 0.0% |
| 011 MIHP | 817,000.00 | 71,191.35 | 269,781.56 | 547,218.44 | 33.0% |
| 522 Fire Control | | | | | |
| 522 11 20 0001 Fire Suppression & Emergency Medical Services - - Personnel Benefits | 0.00 | 0.00 | 0.00 | 0.00 | 0.0% |
| 522 20 20 0001 Fire Suppression & Emergency Medical Services - Fire Suppression And Emergency Medical Services - Pe | 0.00 | 0.00 | 0.00 | 0.00 | 0.0% |
| 522 71 20 0001 Fire Suppression & Emergency Medical Services - - Personnel Benefits | 0.00 | 0.00 | 0.00 | 0.00 | 0.0% |
| 522 72 20 0001 Fire Suppression & Emergency Medical Services - - Personnel Benefits | 0.00 | 0.00 | 0.00 | 0.00 | 0.0% |
| 522 Fire Control | 0.00 | 0.00 | 0.00 | 0.00 | 0.0% |
| 580 Non Expenditures | | | | | |
| 588 30 00 0000 Prior Period(s) Adjustments - Prior Year | 0.00 | 0.00 | (100.00) | 100.00 | 0.0% |
| 580 Non Expenditures | 0.00 | 0.00 | (100.00) | 100.00 | 0.0% |
| 591 Debt Service - Principal Repayment | | | | | |
| 591 22 70 1000 Redemption Of Long Term Debt - Debt Service: Principal (Leases) | 0.00 | 0.00 | 0.00 | 0.00 | 0.0% |
| 591 Debt Service - Principal Repayment | 0.00 | 0.00 | 0.00 | 0.00 | 0.0% |
| 594 Capital Expenditures | | | | | |
| 594 22 63 1000 Capital Expenditures | 0.00 | 5,000.00 | 15,317.99 | (15,317.99) | 0.0% |
| 594 22 63 1006 Capital Expenditures - St. 23 Crew Qtrs Upgrades | 0.00 | 0.00 | 0.00 | 0.00 | 0.0% |

2026 BUDGET POSITION

North Mason Regional Fire Authority

Time: 10:03:48 Date: 04/10/2026

Page: 13

001 General Expense Fund

| Expenditures | Amt Budgeted | April | YTD | Remaining | |
|--|---------------------|---------------------|---------------------|---------------------|--------------|
| 594 Capital Expenditures | | | | | |
| 594 22 63 1007 Capital Expenditures - Ambulance Purchase | 0.00 | 0.00 | 234,335.35 | (234,335.35) | 0.0% |
| 594 Capital Expenditures | 0.00 | 5,000.00 | 249,653.34 | (249,653.34) | 0.0% |
| 597 Interfund Transfers | | | | | |
| 597 00 00 0000 Transfers-Out - Other Costs Allocations-Expense | 0.00 | 0.00 | 0.00 | 0.00 | 0.0% |
| 597 Interfund Transfers | 0.00 | 0.00 | 0.00 | 0.00 | 0.0% |
| Fund Expenditures: | 7,458,194.98 | 654,997.40 | 2,862,969.62 | 4,595,225.36 | 38.4% |
| Fund Excess/(Deficit): | (226,628.98) | (654,997.40) | 1,301,187.60 | | |

2026 BUDGET POSITION

North Mason Regional Fire Authority

Time: 10:03:48 Date: 04/10/2026

Page: 14

200 Bond Fund

| Revenues | Amt Budgeted | April | YTD | Remaining | |
|---|--------------|-------------|-------------------|---------------------|-------------|
| 308 Beginning Balances | | | | | |
| 308 31 00 3000 Beginning Balance - Bond | 0.00 | 0.00 | 209,627.89 | (209,627.89) | 0.0% |
| 308 Beginning Balances | 0.00 | 0.00 | 209,627.89 | (209,627.89) | 0.0% |
| 310 Taxes | | | | | |
| 311 10 30 0002 Real & Personal Property Taxes - Bond | 0.00 | 0.00 | 59,450.61 | (59,450.61) | 0.0% |
| 310 Taxes | 0.00 | 0.00 | 59,450.61 | (59,450.61) | 0.0% |
| 330 Intergovernmental Revenues | | | | | |
| 337 00 30 4000 Local Grants, Entitlements, Other Payments-Timber Exc Bond | 0.00 | 0.00 | 4,889.76 | (4,889.76) | 0.0% |
| 330 Intergovernmental Revenues | 0.00 | 0.00 | 4,889.76 | (4,889.76) | 0.0% |
| 360 Interest & Other Earnings | | | | | |
| 361 40 00 3000 Paid Interest Refunds - Bond | 0.00 | 0.00 | (11.66) | 11.66 | 0.0% |
| 361 40 30 0001 Other Interest Earnings Bond | 0.00 | 0.00 | 0.00 | 0.00 | 0.0% |
| 362 50 00 0001 Space And Facilities Leases Long-term/DNR Bond | 0.00 | 0.00 | 0.00 | 0.00 | 0.0% |
| 360 Interest & Other Earnings | 0.00 | 0.00 | (11.66) | 11.66 | 0.0% |
| 390 Other Financing Sources | | | | | |
| 395 10 00 0003 DNR Timber Trust Bond | 0.00 | 0.00 | 952.27 | (952.27) | 0.0% |
| 390 Other Financing Sources | 0.00 | 0.00 | 952.27 | (952.27) | 0.0% |
| 397 Interfund Transfers | | | | | |
| 397 00 00 0000 Transfer In - Interfund / Bond | 0.00 | 0.00 | 0.00 | 0.00 | 0.0% |
| 397 Interfund Transfers | 0.00 | 0.00 | 0.00 | 0.00 | 0.0% |
| Fund Revenues: | | | | | |
| | 0.00 | 0.00 | 274,908.87 | (274,908.87) | 0.0% |
| Expenditures | Amt Budgeted | April | YTD | Remaining | |
| 580 Non Expenditures | | | | | |
| 592 22 80 0000 Other Non-Expenditures - Intergovernmental Services & Taxes - Bond | 0.00 | 0.00 | 0.00 | 0.00 | 0.0% |
| 580 Non Expenditures | 0.00 | 0.00 | 0.00 | 0.00 | 0.0% |
| 591 Debt Service - Principal Repayment | | | | | |
| 591 22 70 0000 Redemption Of Long Term Debt - Debt Service: Principal - Bond | 0.00 | 0.00 | 0.00 | 0.00 | 0.0% |
| 591 Debt Service - Principal Repayment | 0.00 | 0.00 | 0.00 | 0.00 | 0.0% |
| 597 Interfund Transfers | | | | | |

2026 BUDGET POSITION

North Mason Regional Fire Authority

Time: 10:03:48 Date: 04/10/2026

Page: 15

200 Bond Fund

| Expenditures | Amt Budgeted | April | YTD | Remaining | |
|--|--------------|-------------|-------------------|-------------|------------------|
| 597 Interfund Transfers | | | | | |
| 597 00 00 1000 Transfers-Out - Other Costs Allocations - Bond | 0.00 | 0.00 | 0.00 | 0.00 | 0.00 0.0% |
| 597 Interfund Transfers | 0.00 | 0.00 | 0.00 | 0.00 | 0.00 0.0% |
| Fund Expenditures: | 0.00 | 0.00 | 0.00 | 0.00 | 0.00 0.0% |
| Fund Excess/(Deficit): | 0.00 | 0.00 | 274,908.87 | | |

2026 BUDGET POSITION

North Mason Regional Fire Authority

Time: 10:03:48 Date: 04/10/2026

Page: 16

300 Construction Fund

| Revenues | Amt Budgeted | April | YTD | Remaining |
|----------|--------------|-------|-----|-----------|
|----------|--------------|-------|-----|-----------|

308 Beginning Balances

| | | | | | | |
|------------------------|----------------------------------|------|------|----------|------------|------|
| 308 31 00 2000 | Beginning Balance - Construction | 0.00 | 0.00 | 6,177.43 | (6,177.43) | 0.0% |
| 308 Beginning Balances | | 0.00 | 0.00 | 6,177.43 | (6,177.43) | 0.0% |

360 Interest & Other Earnings

| | | | | | | |
|-------------------------------|---|------|------|-------|---------|------|
| 361 10 30 0001 | Investment Interest - Const. | 0.00 | 0.00 | 53.46 | (53.46) | 0.0% |
| 361 19 30 0000 | Investment Service Fees (Treasurer Charges) | 0.00 | 0.00 | 0.00 | 0.00 | 0.0% |
| 360 Interest & Other Earnings | | 0.00 | 0.00 | 53.46 | (53.46) | 0.0% |

| | | | | | |
|-----------------------|-------------|-------------|-----------------|-------------------|-------------|
| Fund Revenues: | 0.00 | 0.00 | 6,230.89 | (6,230.89) | 0.0% |
|-----------------------|-------------|-------------|-----------------|-------------------|-------------|

| Expenditures | Amt Budgeted | April | YTD | Remaining |
|--------------|--------------|-------|-----|-----------|
|--------------|--------------|-------|-----|-----------|

594 Capital Expenditures

| | | | | | | |
|--------------------------|--|------|------|------|------|------|
| 594 22 63 1002 | NM Emergency Management Complex - Construction | 0.00 | 0.00 | 0.00 | 0.00 | 0.0% |
| 594 Capital Expenditures | | 0.00 | 0.00 | 0.00 | 0.00 | 0.0% |

597 Interfund Transfers

| | | | | | | |
|-------------------------|--|------|------|------|------|------|
| 597 00 00 2000 | Transfers-Out - Other Costs Allocations-Construction | 0.00 | 0.00 | 0.00 | 0.00 | 0.0% |
| 597 Interfund Transfers | | 0.00 | 0.00 | 0.00 | 0.00 | 0.0% |

| | | | | | |
|---------------------------|-------------|-------------|-------------|-------------|-------------|
| Fund Expenditures: | 0.00 | 0.00 | 0.00 | 0.00 | 0.0% |
|---------------------------|-------------|-------------|-------------|-------------|-------------|

| | | | |
|-------------------------------|-------------|-------------|-----------------|
| Fund Excess/(Deficit): | 0.00 | 0.00 | 6,230.89 |
|-------------------------------|-------------|-------------|-----------------|

2026 BUDGET POSITION TOTALS

North Mason Regional Fire Authority

Months: 01 To: 04

Time: 10:03:48 Date: 04/10/2026

Page: 17

| Fund | Revenue | April | Received | | Expenditures | April | Spent | |
|--------------------------|---------------------|-------------|---------------------|--------------|---------------------|-------------------|---------------------|--------------|
| 001 General Expense Fund | 7,231,566.00 | 0.00 | 4,164,157.22 | 57.6% | 7,458,194.98 | 654,997.40 | 2,862,969.62 | 38.4% |
| 200 Bond Fund | 0.00 | 0.00 | 274,908.87 | 0.0% | 0.00 | 0.00 | 0.00 | 0.0% |
| 300 Construction Fund | 0.00 | 0.00 | 6,230.89 | 0.0% | 0.00 | 0.00 | 0.00 | 0.0% |
| | 7,231,566.00 | 0.00 | 4,445,296.98 | 61.5% | 7,458,194.98 | 654,997.40 | 2,862,969.62 | 38.4% |

TRANSACTION JOURNAL

North Mason Regional Fire Authority

Time: 10:01:31 Date: 04/10/2026

04/14/2026 To: 04/30/2026

Page: 1

| Trans | Date | Redeemed | Acct # | Chk # | Type | Receipt # InterFund # | Vendor | Amount | Memo |
|------------|-------------------|--|----------|-------|----------------------|--------------------------|---------------------------------------|-------------------|--|
| 489 | 04/30/2026 | | 2 | | * Tr Rec | 398 | NMRFA PAYEE ACCOUNT | 241,582.56 | Payroll Direct Deposit Receipt |
| | | 522 10 10 9999 Payroll Clearing | | 001 | General Expense Fund | | | -241,582.56 | |
| 490 | 04/30/2026 | | 1 | | Payroll | | IAFF MERP TRUST OFFICE C/O BPA | 3,500.00 | Pay Cycle(s) 04/30/2026 To 04/30/2026 - MERP |
| | | 589 99 00 0000 Payroll Benefits Cleari | | 001 | General Expense Fund | | | 125.00 | ARNOLD, DONOVAN P - MERP |
| | | 589 99 00 0000 Payroll Benefits Cleari | | 001 | General Expense Fund | | | 125.00 | BAKKEN, BEAU A - MERP |
| | | 589 99 00 0000 Payroll Benefits Cleari | | 001 | General Expense Fund | | | 125.00 | BORCHERDING, CHYNNA C - MERP |
| | | 589 99 00 0000 Payroll Benefits Cleari | | 001 | General Expense Fund | | | 125.00 | BRYANT, CARL D - MERP |
| | | 589 99 00 0000 Payroll Benefits Cleari | | 001 | General Expense Fund | | | 125.00 | CLEVELAND, RYAN W - MERP |
| | | 589 99 00 0000 Payroll Benefits Cleari | | 001 | General Expense Fund | | | 125.00 | CLOUD, RYAN D - MERP |
| | | 589 99 00 0000 Payroll Benefits Cleari | | 001 | General Expense Fund | | | 125.00 | COLLAMORE, ROBERT S - MERP |
| | | 589 99 00 0000 Payroll Benefits Cleari | | 001 | General Expense Fund | | | 125.00 | COOPER, SCOTT N - MERP |
| | | 589 99 00 0000 Payroll Benefits Cleari | | 001 | General Expense Fund | | | 125.00 | COTTER, MICKEY J - MERP |
| | | 589 99 00 0000 Payroll Benefits Cleari | | 001 | General Expense Fund | | | 125.00 | EHRESMAN II, CARL E - MERP |
| | | 589 99 00 0000 Payroll Benefits Cleari | | 001 | General Expense Fund | | | 125.00 | GARDNER, DONALD A - MERP |
| | | 589 99 00 0000 Payroll Benefits Cleari | | 001 | General Expense Fund | | | 125.00 | HENRY, TAVIA D - MERP |
| | | 589 99 00 0000 Payroll Benefits Cleari | | 001 | General Expense Fund | | | 125.00 | JENSON, ZACKARY T - MERP |
| | | 589 99 00 0000 Payroll Benefits Cleari | | 001 | General Expense Fund | | | 125.00 | JOHNSON, ANDREW - MERP |
| | | 589 99 00 0000 Payroll Benefits Cleari | | 001 | General Expense Fund | | | 125.00 | JONES, RYAN E - MERP |
| | | 589 99 00 0000 Payroll Benefits Cleari | | 001 | General Expense Fund | | | 125.00 | KLAHR, DERIC J - MERP |
| | | 589 99 00 0000 Payroll Benefits Cleari | | 001 | General Expense Fund | | | 125.00 | LECHNER, ELLI N - MERP |
| | | 589 99 00 0000 Payroll Benefits Cleari | | 001 | General Expense Fund | | | 125.00 | NORTH, CADEN T.S. - MERP |
| | | 589 99 00 0000 Payroll Benefits Cleari | | 001 | General Expense Fund | | | 125.00 | PALMER, TUESDAY A - MERP |
| | | 589 99 00 0000 Payroll Benefits Cleari | | 001 | General Expense Fund | | | 125.00 | PELLOW, RIDGE H - MERP |
| | | 589 99 00 0000 Payroll Benefits Cleari | | 001 | General Expense Fund | | | 125.00 | QUIROZ JR., VICTOR - MERP |
| | | 589 99 00 0000 Payroll Benefits Cleari | | 001 | General Expense Fund | | | 125.00 | RHEAD, ANTHONY - MERP |
| | | 589 99 00 0000 Payroll Benefits Cleari | | 001 | General Expense Fund | | | 125.00 | SEVERANCE, KYLE C - MERP |
| | | 589 99 00 0000 Payroll Benefits Cleari | | 001 | General Expense Fund | | | 125.00 | SUMMERLIN, ANTONIO - MERP |
| | | 589 99 00 0000 Payroll Benefits Cleari | | 001 | General Expense Fund | | | 125.00 | TAYLOR, CONNOR M - MERP |
| | | 589 99 00 0000 Payroll Benefits Cleari | | 001 | General Expense Fund | | | 125.00 | TORVIK, DAVID A - MERP |
| | | 589 99 00 0000 Payroll Benefits Cleari | | 001 | General Expense Fund | | | 125.00 | WILSON, TRAVIS R - MERP |
| | | 589 99 00 0000 Payroll Benefits Cleari | | 001 | General Expense Fund | | | 125.00 | YATES, JEFF J - MERP |
| 491 | 04/30/2026 | | 1 | | Payroll | | DCP - WA STATE DEFERRED COMP | 33,767.96 | Pay Cycle(s) 04/30/2026 To 04/30/2026 - DC-DCP; Pay Cycle(s) 04/30/2026 To 04/30/2026 - DC-DCP%; Pay Cycle(s) 04/30/2026 To 04/30/2026 - DC-HRACnv; Pay Cycle(s) 04/30/2026 To 04/30/2026 - DCP-ROTH; P |

TRANSACTION JOURNAL

North Mason Regional Fire Authority

Time: 10:01:31 Date: 04/10/2026

04/14/2026 To: 04/30/2026

Page: 2

| Trans | Date | Redeemed | Acct # | Chk # | Type | Receipt # InterFund # | Vendor | Amount | Memo |
|------------|-------------------|-------------------------|----------|-------|----------------------|--------------------------|---------------------------------------|------------------|---|
| | 589 99 00 0000 | Payroll Benefits Cleari | 001 | 001 | General Expense Fund | | | 800.00 | ARNOLD, DONOVAN P - DC-DCP |
| | 589 99 00 0000 | Payroll Benefits Cleari | 001 | 001 | General Expense Fund | | | 2,041.66 | BAKKEN, BEAU A - DC-DCP |
| | 589 99 00 0000 | Payroll Benefits Cleari | 001 | 001 | General Expense Fund | | | 2,041.66 | CLEVELAND, RYAN W - DC-DCP |
| | 589 99 00 0000 | Payroll Benefits Cleari | 001 | 001 | General Expense Fund | | | 550.00 | COLLAMORE, ROBERT S - DC-DCP |
| | 589 99 00 0000 | Payroll Benefits Cleari | 001 | 001 | General Expense Fund | | | 2,708.33 | COOPER, SCOTT N - DC-DCP |
| | 589 99 00 0000 | Payroll Benefits Cleari | 001 | 001 | General Expense Fund | | | 1,400.00 | JOHNSON, ANDREW - DC-DCP |
| | 589 99 00 0000 | Payroll Benefits Cleari | 001 | 001 | General Expense Fund | | | 1,726.84 | JONES, RYAN E - DC-DCP |
| | 589 99 00 0000 | Payroll Benefits Cleari | 001 | 001 | General Expense Fund | | | 500.00 | KLAHR, DERIC J - DC-DCP |
| | 589 99 00 0000 | Payroll Benefits Cleari | 001 | 001 | General Expense Fund | | | 550.00 | LECHNER, ELLI N - DC-DCP |
| | 589 99 00 0000 | Payroll Benefits Cleari | 001 | 001 | General Expense Fund | | | 1,726.84 | MCCORMICK, ANGIE M - DC-DCP |
| | 589 99 00 0000 | Payroll Benefits Cleari | 001 | 001 | General Expense Fund | | | 200.00 | MUSGRAVE, KATIE M - DC-DCP |
| | 589 99 00 0000 | Payroll Benefits Cleari | 001 | 001 | General Expense Fund | | | 500.00 | NORTH, CADEN T.S. - DC-DCP |
| | 589 99 00 0000 | Payroll Benefits Cleari | 001 | 001 | General Expense Fund | | | 330.00 | PALMER, TUESDAY A - DC-DCP |
| | 589 99 00 0000 | Payroll Benefits Cleari | 001 | 001 | General Expense Fund | | | 530.00 | QUIROZ JR., VICTOR - DC-DCP |
| | 589 99 00 0000 | Payroll Benefits Cleari | 001 | 001 | General Expense Fund | | | 400.00 | RHEAD, ANTHONY - DC-DCP |
| | 589 99 00 0000 | Payroll Benefits Cleari | 001 | 001 | General Expense Fund | | | 500.00 | SEVERANCE, KYLE C - DC-DCP |
| | 589 99 00 0000 | Payroll Benefits Cleari | 001 | 001 | General Expense Fund | | | 1,000.00 | SHORT, DONNA L - DC-DCP |
| | 589 99 00 0000 | Payroll Benefits Cleari | 001 | 001 | General Expense Fund | | | 1,000.00 | STONE, PATRICIA L - DC-DCP |
| | 589 99 00 0000 | Payroll Benefits Cleari | 001 | 001 | General Expense Fund | | | 600.00 | SUMMERLIN, ANTONIO - DC-DCP |
| | 589 99 00 0000 | Payroll Benefits Cleari | 001 | 001 | General Expense Fund | | | 777.90 | TAYLOR, CONNOR M - DC-DCP |
| | 589 99 00 0000 | Payroll Benefits Cleari | 001 | 001 | General Expense Fund | | | 800.00 | TORVIK, DAVID A - DC-DCP |
| | 589 99 00 0000 | Payroll Benefits Cleari | 001 | 001 | General Expense Fund | | | 1,777.90 | WILSON, TRAVIS R - DC-DCP |
| | 589 99 00 0000 | Payroll Benefits Cleari | 001 | 001 | General Expense Fund | | | 629.64 | YATES, JEFF J - DC-DCP |
| | 589 99 00 0000 | Payroll Benefits Cleari | 001 | 001 | General Expense Fund | | | 654.86 | PELLOW, RIDGE H - DC-DCP% |
| | 589 99 00 0000 | Payroll Benefits Cleari | 001 | 001 | General Expense Fund | | | 427.30 | YATES, JEFF J - DC-HRAConv |
| | 589 99 00 0000 | Payroll Benefits Cleari | 001 | 001 | General Expense Fund | | | 1,725.00 | CLOUD, RYAN D - DCP-ROTH |
| | 589 99 00 0000 | Payroll Benefits Cleari | 001 | 001 | General Expense Fund | | | 550.00 | COLLAMORE, ROBERT S - DCP-ROTH |
| | 589 99 00 0000 | Payroll Benefits Cleari | 001 | 001 | General Expense Fund | | | 2,708.33 | EHRESMAN II, CARL E - DCP-ROTH |
| | 589 99 00 0000 | Payroll Benefits Cleari | 001 | 001 | General Expense Fund | | | 1,726.84 | JENSON, ZACKARY T - DCP-ROTH |
| | 589 99 00 0000 | Payroll Benefits Cleari | 001 | 001 | General Expense Fund | | | 500.00 | NORTH, CADEN T.S. - DCP-ROTH |
| | 589 99 00 0000 | Payroll Benefits Cleari | 001 | 001 | General Expense Fund | | | 330.00 | PALMER, TUESDAY A - DCP-ROTH |
| | 589 99 00 0000 | Payroll Benefits Cleari | 001 | 001 | General Expense Fund | | | 400.00 | RHEAD, ANTHONY - DCP-ROTH |
| | 589 99 00 0000 | Payroll Benefits Cleari | 001 | 001 | General Expense Fund | | | 1,000.00 | TAYLOR, CONNOR M - DCP-ROTH |
| | 589 99 00 0000 | Payroll Benefits Cleari | 001 | 001 | General Expense Fund | | | 654.86 | PELLOW, RIDGE H - DCP-ROTH% |
| 492 | 04/30/2026 | | 1 | | Payroll | | DEPT OF LABOR & INDUSTRIES | 15,537.85 | 2ND Quarter L&I: 04/01/2026 - 04/30/2026 |
| | 522 20 20 0010 | Firefighter/EMT- Labc | 001 | 001 | General Expense Fund | | | 565.69 | ARNOLD, DONOVAN P - L&I |
| | 589 99 00 0000 | Payroll Benefits Cleari | 001 | 001 | General Expense Fund | | | 75.37 | ARNOLD, DONOVAN P - L&I |
| | 522 10 20 0010 | Admin Staff- Labor ar | 001 | 001 | General Expense Fund | | | 454.62 | BAKKEN, BEAU A - L&I |
| | 589 99 00 0000 | Payroll Benefits Cleari | 001 | 001 | General Expense Fund | | | 60.57 | BAKKEN, BEAU A - L&I |

TRANSACTION JOURNAL

North Mason Regional Fire Authority

Time: 10:01:31 Date: 04/10/2026

04/14/2026 To: 04/30/2026

Page: 3

| Trans | Date | Redeemed | Acct # | Chk # | Type | Receipt # | | Amount | Memo |
|-------|------|----------|--------|-------------------------|------|----------------------|--------|--------|-----------------------------|
| | | | | | | InterFund # | Vendor | | |
| 522 | 72 | 20 | 0010 | MIHP Labor And Indu | 001 | General Expense Fund | | 25.84 | BISHOP, MELINDA S - L&I |
| 589 | 99 | 00 | 0000 | Payroll Benefits Cleari | 001 | General Expense Fund | | 17.79 | BISHOP, MELINDA S - L&I |
| 522 | 20 | 20 | 0010 | Firefighter/EMT- Labc | 001 | General Expense Fund | | 433.95 | BORCHERDING, CHYNNA C - L&I |
| 589 | 99 | 00 | 0000 | Payroll Benefits Cleari | 001 | General Expense Fund | | 57.82 | BORCHERDING, CHYNNA C - L&I |
| 522 | 72 | 20 | 0010 | MIHP Labor And Indu | 001 | General Expense Fund | | 26.77 | BROWN, BETH - L&I |
| 589 | 99 | 00 | 0000 | Payroll Benefits Cleari | 001 | General Expense Fund | | 18.43 | BROWN, BETH - L&I |
| 522 | 20 | 20 | 0010 | Firefighter/EMT- Labc | 001 | General Expense Fund | | 454.62 | BRYANT, CARL D - L&I |
| 589 | 99 | 00 | 0000 | Payroll Benefits Cleari | 001 | General Expense Fund | | 60.57 | BRYANT, CARL D - L&I |
| 522 | 71 | 20 | 0010 | Firefighter/paramedic | 001 | General Expense Fund | | 462.36 | CLEVELAND, RYAN W - L&I |
| 589 | 99 | 00 | 0000 | Payroll Benefits Cleari | 001 | General Expense Fund | | 61.61 | CLEVELAND, RYAN W - L&I |
| 522 | 71 | 20 | 0010 | Firefighter/paramedic | 001 | General Expense Fund | | 379.71 | CLOUD, RYAN D - L&I |
| 589 | 99 | 00 | 0000 | Payroll Benefits Cleari | 001 | General Expense Fund | | 50.59 | CLOUD, RYAN D - L&I |
| 522 | 71 | 20 | 0010 | Firefighter/paramedic | 001 | General Expense Fund | | 495.94 | COLLAMORE, ROBERT S - L&I |
| 589 | 99 | 00 | 0000 | Payroll Benefits Cleari | 001 | General Expense Fund | | 66.08 | COLLAMORE, ROBERT S - L&I |
| 522 | 10 | 20 | 0010 | Admin Staff- Labor ar | 001 | General Expense Fund | | 437.83 | COOPER, SCOTT N - L&I |
| 589 | 99 | 00 | 0000 | Payroll Benefits Cleari | 001 | General Expense Fund | | 58.33 | COOPER, SCOTT N - L&I |
| 522 | 71 | 20 | 0010 | Firefighter/paramedic | 001 | General Expense Fund | | 506.27 | COTTER, MICKEY J - L&I |
| 589 | 99 | 00 | 0000 | Payroll Benefits Cleari | 001 | General Expense Fund | | 67.46 | COTTER, MICKEY J - L&I |
| 522 | 20 | 20 | 0010 | Firefighter/EMT- Labc | 001 | General Expense Fund | | 433.95 | EHRESMAN II, CARL E - L&I |
| 589 | 99 | 00 | 0000 | Payroll Benefits Cleari | 001 | General Expense Fund | | 57.82 | EHRESMAN II, CARL E - L&I |
| 522 | 20 | 20 | 0010 | Firefighter/EMT- Labc | 001 | General Expense Fund | | 418.46 | GARDNER, DONALD A - L&I |
| 589 | 99 | 00 | 0000 | Payroll Benefits Cleari | 001 | General Expense Fund | | 55.75 | GARDNER, DONALD A - L&I |
| 522 | 71 | 20 | 0010 | Firefighter/paramedic | 001 | General Expense Fund | | 539.85 | HENRY, TAVIA D - L&I |
| 589 | 99 | 00 | 0000 | Payroll Benefits Cleari | 001 | General Expense Fund | | 71.93 | HENRY, TAVIA D - L&I |
| 522 | 11 | 20 | 0010 | Labor and Industry In | 001 | General Expense Fund | | 0.31 | INCH, JOHN V - L&I |
| 589 | 99 | 00 | 0000 | Payroll Benefits Cleari | 001 | General Expense Fund | | 0.21 | INCH, JOHN V - L&I |
| 522 | 71 | 20 | 0010 | Firefighter/paramedic | 001 | General Expense Fund | | 454.62 | JENSON, ZACKARY T - L&I |
| 589 | 99 | 00 | 0000 | Payroll Benefits Cleari | 001 | General Expense Fund | | 60.57 | JENSON, ZACKARY T - L&I |
| 522 | 20 | 20 | 0010 | Firefighter/EMT- Labc | 001 | General Expense Fund | | 557.94 | JOHNSON, ANDREW - L&I |
| 589 | 99 | 00 | 0000 | Payroll Benefits Cleari | 001 | General Expense Fund | | 74.34 | JOHNSON, ANDREW - L&I |
| 522 | 20 | 20 | 0010 | Firefighter/EMT- Labc | 001 | General Expense Fund | | 433.95 | JONES, RYAN E - L&I |
| 589 | 99 | 00 | 0000 | Payroll Benefits Cleari | 001 | General Expense Fund | | 57.82 | JONES, RYAN E - L&I |
| 522 | 11 | 20 | 0010 | Labor and Industry In | 001 | General Expense Fund | | 0.31 | KEWISH, DANIEL K - L&I |
| 589 | 99 | 00 | 0000 | Payroll Benefits Cleari | 001 | General Expense Fund | | 0.21 | KEWISH, DANIEL K - L&I |
| 522 | 20 | 20 | 0010 | Firefighter/EMT- Labc | 001 | General Expense Fund | | 374.55 | KLAHR, DERIC J - L&I |
| 589 | 99 | 00 | 0000 | Payroll Benefits Cleari | 001 | General Expense Fund | | 49.90 | KLAHR, DERIC J - L&I |
| 522 | 20 | 20 | 0010 | Firefighter/EMT- Labc | 001 | General Expense Fund | | 619.93 | LECHNER, ELLI N - L&I |
| 589 | 99 | 00 | 0000 | Payroll Benefits Cleari | 001 | General Expense Fund | | 82.60 | LECHNER, ELLI N - L&I |
| 522 | 10 | 20 | 0010 | Admin Staff- Labor ar | 001 | General Expense Fund | | 25.82 | MCCORMICK, ANGIE M - L&I |
| 589 | 99 | 00 | 0000 | Payroll Benefits Cleari | 001 | General Expense Fund | | 17.78 | MCCORMICK, ANGIE M - L&I |

TRANSACTION JOURNAL

North Mason Regional Fire Authority

Time: 10:01:31 Date: 04/10/2026

04/14/2026 To: 04/30/2026

Page: 4

| Trans | Date | Redeemed | Acct # | Chk # | Type | Receipt # InterFund # | Vendor | Amount | Memo |
|------------|-------------------|------------------------------|----------|-------|----------------------|--------------------------|------------------------|-----------------|---|
| | 522 11 20 | 0010 Labor and Industry In | 001 | 001 | General Expense Fund | | | 0.46 | MCINTOSH, KELLEY - L&I |
| | 589 99 00 | 0000 Payroll Benefits Cleari | 001 | 001 | General Expense Fund | | | 0.32 | MCINTOSH, KELLEY - L&I |
| | 522 72 20 | 0010 MIHP Labor And Indu | 001 | 001 | General Expense Fund | | | 25.79 | MEYERS, AARON M - L&I |
| | 589 99 00 | 0000 Payroll Benefits Cleari | 001 | 001 | General Expense Fund | | | 17.75 | MEYERS, AARON M - L&I |
| | 522 11 20 | 0010 Labor and Industry In | 001 | 001 | General Expense Fund | | | 0.31 | MILLER, ROBERT G - L&I |
| | 589 99 00 | 0000 Payroll Benefits Cleari | 001 | 001 | General Expense Fund | | | 0.21 | MILLER, ROBERT G - L&I |
| | 522 10 20 | 0010 Admin Staff- Labor ar | 001 | 001 | General Expense Fund | | | 23.47 | MUSGRAVE, KATIE M - L&I |
| | 589 99 00 | 0000 Payroll Benefits Cleari | 001 | 001 | General Expense Fund | | | 16.16 | MUSGRAVE, KATIE M - L&I |
| | 522 20 20 | 0010 Firefighter/EMT- Labc | 001 | 001 | General Expense Fund | | | 557.94 | NORTH, CADEN T.S. - L&I |
| | 589 99 00 | 0000 Payroll Benefits Cleari | 001 | 001 | General Expense Fund | | | 74.34 | NORTH, CADEN T.S. - L&I |
| | 522 20 20 | 0010 Firefighter/EMT- Labc | 001 | 001 | General Expense Fund | | | 495.94 | PALMER, TUESDAY A - L&I |
| | 589 99 00 | 0000 Payroll Benefits Cleari | 001 | 001 | General Expense Fund | | | 66.08 | PALMER, TUESDAY A - L&I |
| | 522 20 20 | 0010 Firefighter/EMT- Labc | 001 | 001 | General Expense Fund | | | 510.15 | PELLOW, RIDGE H - L&I |
| | 589 99 00 | 0000 Payroll Benefits Cleari | 001 | 001 | General Expense Fund | | | 67.97 | PELLOW, RIDGE H - L&I |
| | 522 71 20 | 0010 Firefighter/paramedic | 001 | 001 | General Expense Fund | | | 743.91 | QUIROZ JR., VICTOR - L&I |
| | 589 99 00 | 0000 Payroll Benefits Cleari | 001 | 001 | General Expense Fund | | | 99.12 | QUIROZ JR., VICTOR - L&I |
| | 522 20 20 | 0010 Firefighter/EMT- Labc | 001 | 001 | General Expense Fund | | | 464.95 | RHEAD, ANTHONY - L&I |
| | 589 99 00 | 0000 Payroll Benefits Cleari | 001 | 001 | General Expense Fund | | | 61.95 | RHEAD, ANTHONY - L&I |
| | 522 71 20 | 0010 Firefighter/paramedic | 001 | 001 | General Expense Fund | | | 511.44 | SEVERANCE, KYLE C - L&I |
| | 589 99 00 | 0000 Payroll Benefits Cleari | 001 | 001 | General Expense Fund | | | 68.14 | SEVERANCE, KYLE C - L&I |
| | 522 11 20 | 0010 Labor and Industry In | 001 | 001 | General Expense Fund | | | 0.31 | SEVERSON, PAUL M - L&I |
| | 589 99 00 | 0000 Payroll Benefits Cleari | 001 | 001 | General Expense Fund | | | 0.21 | SEVERSON, PAUL M - L&I |
| | 522 72 20 | 0010 MIHP Labor And Indu | 001 | 001 | General Expense Fund | | | 27.23 | SHORT, DONNA L - L&I |
| | 589 99 00 | 0000 Payroll Benefits Cleari | 001 | 001 | General Expense Fund | | | 18.75 | SHORT, DONNA L - L&I |
| | 522 10 20 | 0010 Admin Staff- Labor ar | 001 | 001 | General Expense Fund | | | 25.56 | STONE, PATRICIA L - L&I |
| | 589 99 00 | 0000 Payroll Benefits Cleari | 001 | 001 | General Expense Fund | | | 17.59 | STONE, PATRICIA L - L&I |
| | 522 20 20 | 0010 Firefighter/EMT- Labc | 001 | 001 | General Expense Fund | | | 371.96 | SUMMERLIN, ANTONIO - L&I |
| | 589 99 00 | 0000 Payroll Benefits Cleari | 001 | 001 | General Expense Fund | | | 49.56 | SUMMERLIN, ANTONIO - L&I |
| | 522 20 20 | 0010 Firefighter/EMT- Labc | 001 | 001 | General Expense Fund | | | 433.95 | TAYLOR, CONNOR M - L&I |
| | 589 99 00 | 0000 Payroll Benefits Cleari | 001 | 001 | General Expense Fund | | | 57.82 | TAYLOR, CONNOR M - L&I |
| | 522 71 20 | 0010 Firefighter/paramedic | 001 | 001 | General Expense Fund | | | 371.96 | TORVIK, DAVID A - L&I |
| | 589 99 00 | 0000 Payroll Benefits Cleari | 001 | 001 | General Expense Fund | | | 49.56 | TORVIK, DAVID A - L&I |
| | 522 71 20 | 0010 Firefighter/paramedic | 001 | 001 | General Expense Fund | | | 454.62 | WILSON, TRAVIS R - L&I |
| | 589 99 00 | 0000 Payroll Benefits Cleari | 001 | 001 | General Expense Fund | | | 60.57 | WILSON, TRAVIS R - L&I |
| | 522 20 20 | 0010 Firefighter/EMT- Labc | 001 | 001 | General Expense Fund | | | 498.53 | YATES, JEFF J - L&I |
| | 589 99 00 | 0000 Payroll Benefits Cleari | 001 | 001 | General Expense Fund | | | 66.42 | YATES, JEFF J - L&I |
| | 522 71 20 | 0010 Firefighter/paramedic | 001 | 001 | General Expense Fund | | | 0.01 | Rounding Adjustment - L&I |
| 493 | 04/30/2026 | | 1 | | Payroll | | DIMARTINO ASSOC | 1,315.25 | Pay Cycle(s) 04/30/2026 To 04/30/2026 - DISABILITY |
| | 589 99 00 | 0000 Payroll Benefits Cleari | 001 | 001 | General Expense Fund | | | 88.67 | ARNOLD, DONOVAN P - DISABILITY |

TRANSACTION JOURNAL

North Mason Regional Fire Authority

Time: 10:01:31 Date: 04/10/2026

04/14/2026 To: 04/30/2026

Page: 5

| Trans | Date | Redeemed | Acct # | Chk # | Type | Receipt # InterFund # | Vendor | Amount | Memo |
|------------|-------------------|-------------------------|----------|-------|----------------------|--------------------------|--------------------------------------|-----------------|---|
| | 589 99 00 0000 | Payroll Benefits Cleari | 001 | 001 | General Expense Fund | | | 54.05 | BORCHERDING, CHYNNA C - DISABILITY |
| | 589 99 00 0000 | Payroll Benefits Cleari | 001 | 001 | General Expense Fund | | | 57.69 | BRYANT, CARL D - DISABILITY |
| | 589 99 00 0000 | Payroll Benefits Cleari | 001 | 001 | General Expense Fund | | | 91.04 | CLEVELAND, RYAN W - DISABILITY |
| | 589 99 00 0000 | Payroll Benefits Cleari | 001 | 001 | General Expense Fund | | | 90.93 | CLOUD, RYAN D - DISABILITY |
| | 589 99 00 0000 | Payroll Benefits Cleari | 001 | 001 | General Expense Fund | | | 93.69 | COOPER, SCOTT N - DISABILITY |
| | 589 99 00 0000 | Payroll Benefits Cleari | 001 | 001 | General Expense Fund | | | 90.10 | EHRESMAN II, CARL E - DISABILITY |
| | 589 99 00 0000 | Payroll Benefits Cleari | 001 | 001 | General Expense Fund | | | 88.04 | HENRY, TAVIA D - DISABILITY |
| | 589 99 00 0000 | Payroll Benefits Cleari | 001 | 001 | General Expense Fund | | | 86.81 | JOHNSON, ANDREW - DISABILITY |
| | 589 99 00 0000 | Payroll Benefits Cleari | 001 | 001 | General Expense Fund | | | 84.62 | JONES, RYAN E - DISABILITY |
| | 589 99 00 0000 | Payroll Benefits Cleari | 001 | 001 | General Expense Fund | | | 57.69 | NORTH, CADEN T.S. - DISABILITY |
| | 589 99 00 0000 | Payroll Benefits Cleari | 001 | 001 | General Expense Fund | | | 54.05 | PALMER, TUESDAY A - DISABILITY |
| | 589 99 00 0000 | Payroll Benefits Cleari | 001 | 001 | General Expense Fund | | | 57.69 | PELLOW, RIDGE H - DISABILITY |
| | 589 99 00 0000 | Payroll Benefits Cleari | 001 | 001 | General Expense Fund | | | 88.24 | SEVERANCE, KYLE C - DISABILITY |
| | 589 99 00 0000 | Payroll Benefits Cleari | 001 | 001 | General Expense Fund | | | 55.47 | TAYLOR, CONNOR M - DISABILITY |
| | 589 99 00 0000 | Payroll Benefits Cleari | 001 | 001 | General Expense Fund | | | 88.43 | TORVIK, DAVID A - DISABILITY |
| | 589 99 00 0000 | Payroll Benefits Cleari | 001 | 001 | General Expense Fund | | | 88.04 | WILSON, TRAVIS R - DISABILITY |
| 494 | 04/30/2026 | | 1 | | Payroll | | EMPLOYMENT SEC DEPT-WA CARES | 588.03 | Pay Cycle(s) 04/30/2026 To 04/30/2026 - LTC-WA |
| | 589 99 00 0000 | Payroll Benefits Cleari | 001 | 001 | General Expense Fund | | | 80.58 | BISHOP, MELINDA S - LTC-WA |
| | 589 99 00 0000 | Payroll Benefits Cleari | 001 | 001 | General Expense Fund | | | 36.52 | BORCHERDING, CHYNNA C - LTC-WA |
| | 589 99 00 0000 | Payroll Benefits Cleari | 001 | 001 | General Expense Fund | | | 59.80 | BROWN, BETH - LTC-WA |
| | 589 99 00 0000 | Payroll Benefits Cleari | 001 | 001 | General Expense Fund | | | 36.52 | BRYANT, CARL D - LTC-WA |
| | 589 99 00 0000 | Payroll Benefits Cleari | 001 | 001 | General Expense Fund | | | 1.87 | INCH, JOHN V - LTC-WA |
| | 589 99 00 0000 | Payroll Benefits Cleari | 001 | 001 | General Expense Fund | | | 1.87 | KEWISH, DANIEL K - LTC-WA |
| | 589 99 00 0000 | Payroll Benefits Cleari | 001 | 001 | General Expense Fund | | | 46.96 | LECHNER, ELLI N - LTC-WA |
| | 589 99 00 0000 | Payroll Benefits Cleari | 001 | 001 | General Expense Fund | | | 2.80 | MCINTOSH, KELLEY - LTC-WA |
| | 589 99 00 0000 | Payroll Benefits Cleari | 001 | 001 | General Expense Fund | | | 26.10 | MEYERS, AARON M - LTC-WA |
| | 589 99 00 0000 | Payroll Benefits Cleari | 001 | 001 | General Expense Fund | | | 1.87 | MILLER, ROBERT G - LTC-WA |
| | 589 99 00 0000 | Payroll Benefits Cleari | 001 | 001 | General Expense Fund | | | 37.41 | NORTH, CADEN T.S. - LTC-WA |
| | 589 99 00 0000 | Payroll Benefits Cleari | 001 | 001 | General Expense Fund | | | 33.91 | PALMER, TUESDAY A - LTC-WA |
| | 589 99 00 0000 | Payroll Benefits Cleari | 001 | 001 | General Expense Fund | | | 37.98 | PELLOW, RIDGE H - LTC-WA |
| | 589 99 00 0000 | Payroll Benefits Cleari | 001 | 001 | General Expense Fund | | | 64.08 | SEVERANCE, KYLE C - LTC-WA |
| | 589 99 00 0000 | Payroll Benefits Cleari | 001 | 001 | General Expense Fund | | | 1.87 | SEVERSON, PAUL M - LTC-WA |
| | 589 99 00 0000 | Payroll Benefits Cleari | 001 | 001 | General Expense Fund | | | 45.24 | SHORT, DONNA L - LTC-WA |
| | 589 99 00 0000 | Payroll Benefits Cleari | 001 | 001 | General Expense Fund | | | 35.03 | STONE, PATRICIA L - LTC-WA |
| | 589 99 00 0000 | Payroll Benefits Cleari | 001 | 001 | General Expense Fund | | | 37.62 | TAYLOR, CONNOR M - LTC-WA |
| 495 | 04/30/2026 | | 1 | | Payroll | | EMPLOYMENT SECURITY DEPT-PFML | 2,950.53 | Pay Cycle(s) 04/30/2026 To 04/30/2026 - PFML |
| | 589 99 00 0000 | Payroll Benefits Cleari | 001 | 001 | General Expense Fund | | | 90.95 | ARNOLD, DONOVAN P - PFML |

TRANSACTION JOURNAL

North Mason Regional Fire Authority

Time: 10:01:31 Date: 04/10/2026

04/14/2026 To: 04/30/2026

Page: 6

| Trans | Date | Redeemed | Acct # | Chk # | Type | Receipt # | | Amount | Memo |
|-------|------|----------|--------|-------------------------|------|----------------------|--------|--------|------------------------------|
| | | | | | | InterFund # | Vendor | | |
| 589 | 99 | 00 | 0000 | Payroll Benefits Cleari | 001 | General Expense Fund | | 136.48 | BAKKEN, BEAU A - PFML |
| 589 | 99 | 00 | 0000 | Payroll Benefits Cleari | 001 | General Expense Fund | | 112.11 | BISHOP, MELINDA S - PFML |
| 589 | 99 | 00 | 0000 | Payroll Benefits Cleari | 001 | General Expense Fund | | 50.82 | BORCHERDING, CHYNNA C - PFML |
| 589 | 99 | 00 | 0000 | Payroll Benefits Cleari | 001 | General Expense Fund | | 83.20 | BROWN, BETH - PFML |
| 589 | 99 | 00 | 0000 | Payroll Benefits Cleari | 001 | General Expense Fund | | 50.82 | BRYANT, CARL D - PFML |
| 589 | 99 | 00 | 0000 | Payroll Benefits Cleari | 001 | General Expense Fund | | 133.12 | CLEVELAND, RYAN W - PFML |
| 589 | 99 | 00 | 0000 | Payroll Benefits Cleari | 001 | General Expense Fund | | 110.80 | CLOUD, RYAN D - PFML |
| 589 | 99 | 00 | 0000 | Payroll Benefits Cleari | 001 | General Expense Fund | | 93.03 | COLLAMORE, ROBERT S - PFML |
| 589 | 99 | 00 | 0000 | Payroll Benefits Cleari | 001 | General Expense Fund | | 134.33 | COOPER, SCOTT N - PFML |
| 589 | 99 | 00 | 0000 | Payroll Benefits Cleari | 001 | General Expense Fund | | 96.22 | COTTER, MICKEY J - PFML |
| 589 | 99 | 00 | 0000 | Payroll Benefits Cleari | 001 | General Expense Fund | | 106.71 | EHRESMAN II, CARL E - PFML |
| 589 | 99 | 00 | 0000 | Payroll Benefits Cleari | 001 | General Expense Fund | | 85.74 | GARDNER, DONALD A - PFML |
| 589 | 99 | 00 | 0000 | Payroll Benefits Cleari | 001 | General Expense Fund | | 94.20 | HENRY, TAVIA D - PFML |
| 589 | 99 | 00 | 0000 | Payroll Benefits Cleari | 001 | General Expense Fund | | 2.60 | INCH, JOHN V - PFML |
| 589 | 99 | 00 | 0000 | Payroll Benefits Cleari | 001 | General Expense Fund | | 92.10 | JENSON, ZACKARY T - PFML |
| 589 | 99 | 00 | 0000 | Payroll Benefits Cleari | 001 | General Expense Fund | | 79.85 | JOHNSON, ANDREW - PFML |
| 589 | 99 | 00 | 0000 | Payroll Benefits Cleari | 001 | General Expense Fund | | 78.40 | JONES, RYAN E - PFML |
| 589 | 99 | 00 | 0000 | Payroll Benefits Cleari | 001 | General Expense Fund | | 2.60 | KEWISH, DANIEL K - PFML |
| 589 | 99 | 00 | 0000 | Payroll Benefits Cleari | 001 | General Expense Fund | | 88.01 | KLAHR, DERIC J - PFML |
| 589 | 99 | 00 | 0000 | Payroll Benefits Cleari | 001 | General Expense Fund | | 65.33 | LECHNER, ELLI N - PFML |
| 589 | 99 | 00 | 0000 | Payroll Benefits Cleari | 001 | General Expense Fund | | 83.69 | MCCORMICK, ANGIE M - PFML |
| 589 | 99 | 00 | 0000 | Payroll Benefits Cleari | 001 | General Expense Fund | | 3.90 | MCINTOSH, KELLEY - PFML |
| 589 | 99 | 00 | 0000 | Payroll Benefits Cleari | 001 | General Expense Fund | | 36.32 | MEYERS, AARON M - PFML |
| 589 | 99 | 00 | 0000 | Payroll Benefits Cleari | 001 | General Expense Fund | | 2.60 | MILLER, ROBERT G - PFML |
| 589 | 99 | 00 | 0000 | Payroll Benefits Cleari | 001 | General Expense Fund | | 78.89 | MUSGRAVE, KATIE M - PFML |
| 589 | 99 | 00 | 0000 | Payroll Benefits Cleari | 001 | General Expense Fund | | 52.05 | NORTH, CADEN T.S. - PFML |
| 589 | 99 | 00 | 0000 | Payroll Benefits Cleari | 001 | General Expense Fund | | 47.19 | PALMER, TUESDAY A - PFML |
| 589 | 99 | 00 | 0000 | Payroll Benefits Cleari | 001 | General Expense Fund | | 52.85 | PELLOW, RIDGE H - PFML |
| 589 | 99 | 00 | 0000 | Payroll Benefits Cleari | 001 | General Expense Fund | | 101.37 | QUIROZ JR., VICTOR - PFML |
| 589 | 99 | 00 | 0000 | Payroll Benefits Cleari | 001 | General Expense Fund | | 107.53 | RHEAD, ANTHONY - PFML |
| 589 | 99 | 00 | 0000 | Payroll Benefits Cleari | 001 | General Expense Fund | | 89.17 | SEVERANCE, KYLE C - PFML |
| 589 | 99 | 00 | 0000 | Payroll Benefits Cleari | 001 | General Expense Fund | | 2.60 | SEVERSON, PAUL M - PFML |
| 589 | 99 | 00 | 0000 | Payroll Benefits Cleari | 001 | General Expense Fund | | 62.95 | SHORT, DONNA L - PFML |
| 589 | 99 | 00 | 0000 | Payroll Benefits Cleari | 001 | General Expense Fund | | 48.75 | STONE, PATRICIA L - PFML |
| 589 | 99 | 00 | 0000 | Payroll Benefits Cleari | 001 | General Expense Fund | | 75.49 | SUMMERLIN, ANTONIO - PFML |
| 589 | 99 | 00 | 0000 | Payroll Benefits Cleari | 001 | General Expense Fund | | 52.34 | TAYLOR, CONNOR M - PFML |
| 589 | 99 | 00 | 0000 | Payroll Benefits Cleari | 001 | General Expense Fund | | 87.04 | TORVIK, DAVID A - PFML |
| 589 | 99 | 00 | 0000 | Payroll Benefits Cleari | 001 | General Expense Fund | | 88.72 | WILSON, TRAVIS R - PFML |
| 589 | 99 | 00 | 0000 | Payroll Benefits Cleari | 001 | General Expense Fund | | 89.66 | YATES, JEFF J - PFML |

TRANSACTION JOURNAL

North Mason Regional Fire Authority

Time: 10:01:31 Date: 04/10/2026

04/14/2026 To: 04/30/2026

Page: 7

| Trans | Date | Redeemed | Acct # | Chk # | Type | Receipt # InterFund # | Vendor | Amount | Memo |
|------------|-------------------|-------------------------|----------|-------|----------------------|--------------------------|------------------------|------------------|---|
| 496 | 04/30/2026 | | 1 | | Payroll | | IAFF LOCAL 3876 | 3,935.25 | Pay Cycle(s) 04/30/2026 To 04/30/2026 - DUES |
| | 589 99 00 0000 | Payroll Benefits Cleari | 001 | 001 | General Expense Fund | | | 157.41 | ARNOLD, DONOVAN P - DUES |
| | 589 99 00 0000 | Payroll Benefits Cleari | 001 | 001 | General Expense Fund | | | 157.41 | BORCHERDING, CHYNNA C - DUES |
| | 589 99 00 0000 | Payroll Benefits Cleari | 001 | 001 | General Expense Fund | | | 157.41 | BRYANT, CARL D - DUES |
| | 589 99 00 0000 | Payroll Benefits Cleari | 001 | 001 | General Expense Fund | | | 157.41 | CLEVELAND, RYAN W - DUES |
| | 589 99 00 0000 | Payroll Benefits Cleari | 001 | 001 | General Expense Fund | | | 157.41 | CLOUD, RYAN D - DUES |
| | 589 99 00 0000 | Payroll Benefits Cleari | 001 | 001 | General Expense Fund | | | 157.41 | COLLAMORE, ROBERT S - DUES |
| | 589 99 00 0000 | Payroll Benefits Cleari | 001 | 001 | General Expense Fund | | | 157.41 | COTTER, MICKEY J - DUES |
| | 589 99 00 0000 | Payroll Benefits Cleari | 001 | 001 | General Expense Fund | | | 157.41 | EHRESMAN II, CARL E - DUES |
| | 589 99 00 0000 | Payroll Benefits Cleari | 001 | 001 | General Expense Fund | | | 157.41 | GARDNER, DONALD A - DUES |
| | 589 99 00 0000 | Payroll Benefits Cleari | 001 | 001 | General Expense Fund | | | 157.41 | HENRY, TAVIA D - DUES |
| | 589 99 00 0000 | Payroll Benefits Cleari | 001 | 001 | General Expense Fund | | | 157.41 | JENSON, ZACKARY T - DUES |
| | 589 99 00 0000 | Payroll Benefits Cleari | 001 | 001 | General Expense Fund | | | 157.41 | JOHNSON, ANDREW - DUES |
| | 589 99 00 0000 | Payroll Benefits Cleari | 001 | 001 | General Expense Fund | | | 157.41 | JONES, RYAN E - DUES |
| | 589 99 00 0000 | Payroll Benefits Cleari | 001 | 001 | General Expense Fund | | | 157.41 | KLAHR, DERIC J - DUES |
| | 589 99 00 0000 | Payroll Benefits Cleari | 001 | 001 | General Expense Fund | | | 157.41 | LECHNER, ELLI N - DUES |
| | 589 99 00 0000 | Payroll Benefits Cleari | 001 | 001 | General Expense Fund | | | 157.41 | NORTH, CADEN T.S. - DUES |
| | 589 99 00 0000 | Payroll Benefits Cleari | 001 | 001 | General Expense Fund | | | 157.41 | PELLOW, RIDGE H - DUES |
| | 589 99 00 0000 | Payroll Benefits Cleari | 001 | 001 | General Expense Fund | | | 157.41 | QUIROZ JR., VICTOR - DUES |
| | 589 99 00 0000 | Payroll Benefits Cleari | 001 | 001 | General Expense Fund | | | 157.41 | RHEAD, ANTHONY - DUES |
| | 589 99 00 0000 | Payroll Benefits Cleari | 001 | 001 | General Expense Fund | | | 157.41 | SEVERANCE, KYLE C - DUES |
| | 589 99 00 0000 | Payroll Benefits Cleari | 001 | 001 | General Expense Fund | | | 157.41 | SUMMERLIN, ANTONIO - DUES |
| | 589 99 00 0000 | Payroll Benefits Cleari | 001 | 001 | General Expense Fund | | | 157.41 | TAYLOR, CONNOR M - DUES |
| | 589 99 00 0000 | Payroll Benefits Cleari | 001 | 001 | General Expense Fund | | | 157.41 | TORVIK, DAVID A - DUES |
| | 589 99 00 0000 | Payroll Benefits Cleari | 001 | 001 | General Expense Fund | | | 157.41 | WILSON, TRAVIS R - DUES |
| | 589 99 00 0000 | Payroll Benefits Cleari | 001 | 001 | General Expense Fund | | | 157.41 | YATES, JEFF J - DUES |
| 497 | 04/30/2026 | | 1 | | Payroll | | LEOFF SYS - P/2 | 41,768.55 | Pay Cycle(s) 04/30/2026 To 04/30/2026 - LEOFF2 |
| | 522 20 20 0030 | Firefighter/EMT- WA : | 001 | 001 | General Expense Fund | | | 599.57 | ARNOLD, DONOVAN P - LEOFF2 |
| | 589 99 00 0000 | Payroll Benefits Cleari | 001 | 001 | General Expense Fund | | | 961.34 | ARNOLD, DONOVAN P - LEOFF2 |
| | 522 10 20 0030 | Admin Staff- WA Stat | 001 | 001 | General Expense Fund | | | 899.69 | BAKKEN, BEAU A - LEOFF2 |
| | 589 99 00 0000 | Payroll Benefits Cleari | 001 | 001 | General Expense Fund | | | 1,442.55 | BAKKEN, BEAU A - LEOFF2 |
| | 522 20 20 0030 | Firefighter/EMT- WA : | 001 | 001 | General Expense Fund | | | 335.00 | BORCHERDING, CHYNNA C - LEOFF2 |
| | 589 99 00 0000 | Payroll Benefits Cleari | 001 | 001 | General Expense Fund | | | 537.13 | BORCHERDING, CHYNNA C - LEOFF2 |
| | 522 20 20 0030 | Firefighter/EMT- WA : | 001 | 001 | General Expense Fund | | | 335.00 | BRYANT, CARL D - LEOFF2 |
| | 589 99 00 0000 | Payroll Benefits Cleari | 001 | 001 | General Expense Fund | | | 537.13 | BRYANT, CARL D - LEOFF2 |
| | 522 71 20 0030 | Firefighter/paramedic | 001 | 001 | General Expense Fund | | | 877.55 | CLEVELAND, RYAN W - LEOFF2 |
| | 589 99 00 0000 | Payroll Benefits Cleari | 001 | 001 | General Expense Fund | | | 1,407.05 | CLEVELAND, RYAN W - LEOFF2 |
| | 522 71 20 0030 | Firefighter/paramedic | 001 | 001 | General Expense Fund | | | 730.40 | CLOUD, RYAN D - LEOFF2 |

TRANSACTION JOURNAL

North Mason Regional Fire Authority

Time: 10:01:31 Date: 04/10/2026

04/14/2026 To: 04/30/2026

Page: 8

| Trans | Date | Redeemed | Acct # | Chk # | Type | Receipt # | | Amount | Memo |
|-------|------------|-------------------------|--------|-------|----------------------|-------------|--------|----------|------------------------------|
| | | | | | | InterFund # | Vendor | | |
| 589 | 99 00 0000 | Payroll Benefits Cleari | 001 | 001 | General Expense Fund | | | 1,171.12 | CLOUD, RYAN D - LEOFF2 |
| 522 | 71 20 0030 | Firefighter/paramedic | 001 | 001 | General Expense Fund | | | 613.27 | COLLAMORE, ROBERT S - LEOFF2 |
| 589 | 99 00 0000 | Payroll Benefits Cleari | 001 | 001 | General Expense Fund | | | 983.31 | COLLAMORE, ROBERT S - LEOFF2 |
| 522 | 10 20 0030 | Admin Staff- WA Stat | 001 | 001 | General Expense Fund | | | 885.55 | COOPER, SCOTT N - LEOFF2 |
| 589 | 99 00 0000 | Payroll Benefits Cleari | 001 | 001 | General Expense Fund | | | 1,419.88 | COOPER, SCOTT N - LEOFF2 |
| 522 | 71 20 0030 | Firefighter/paramedic | 001 | 001 | General Expense Fund | | | 634.30 | COTTER, MICKEY J - LEOFF2 |
| 589 | 99 00 0000 | Payroll Benefits Cleari | 001 | 001 | General Expense Fund | | | 1,017.03 | COTTER, MICKEY J - LEOFF2 |
| 522 | 20 20 0030 | Firefighter/EMT- WA : | 001 | 001 | General Expense Fund | | | 703.46 | EHRESMAN II, CARL E - LEOFF2 |
| 589 | 99 00 0000 | Payroll Benefits Cleari | 001 | 001 | General Expense Fund | | | 1,127.92 | EHRESMAN II, CARL E - LEOFF2 |
| 522 | 20 20 0030 | Firefighter/EMT- WA : | 001 | 001 | General Expense Fund | | | 565.25 | GARDNER, DONALD A - LEOFF2 |
| 589 | 99 00 0000 | Payroll Benefits Cleari | 001 | 001 | General Expense Fund | | | 906.31 | GARDNER, DONALD A - LEOFF2 |
| 522 | 71 20 0030 | Firefighter/paramedic | 001 | 001 | General Expense Fund | | | 621.00 | HENRY, TAVIA D - LEOFF2 |
| 589 | 99 00 0000 | Payroll Benefits Cleari | 001 | 001 | General Expense Fund | | | 995.70 | HENRY, TAVIA D - LEOFF2 |
| 522 | 71 20 0030 | Firefighter/paramedic | 001 | 001 | General Expense Fund | | | 607.14 | JENSON, ZACKARY T - LEOFF2 |
| 589 | 99 00 0000 | Payroll Benefits Cleari | 001 | 001 | General Expense Fund | | | 973.47 | JENSON, ZACKARY T - LEOFF2 |
| 522 | 20 20 0030 | Firefighter/EMT- WA : | 001 | 001 | General Expense Fund | | | 526.39 | JOHNSON, ANDREW - LEOFF2 |
| 589 | 99 00 0000 | Payroll Benefits Cleari | 001 | 001 | General Expense Fund | | | 844.00 | JOHNSON, ANDREW - LEOFF2 |
| 522 | 20 20 0030 | Firefighter/EMT- WA : | 001 | 001 | General Expense Fund | | | 516.82 | JONES, RYAN E - LEOFF2 |
| 589 | 99 00 0000 | Payroll Benefits Cleari | 001 | 001 | General Expense Fund | | | 828.66 | JONES, RYAN E - LEOFF2 |
| 522 | 20 20 0030 | Firefighter/EMT- WA : | 001 | 001 | General Expense Fund | | | 580.20 | KLAHR, DERIC J - LEOFF2 |
| 589 | 99 00 0000 | Payroll Benefits Cleari | 001 | 001 | General Expense Fund | | | 930.28 | KLAHR, DERIC J - LEOFF2 |
| 522 | 20 20 0030 | Firefighter/EMT- WA : | 001 | 001 | General Expense Fund | | | 430.71 | LECHNER, ELLI N - LEOFF2 |
| 589 | 99 00 0000 | Payroll Benefits Cleari | 001 | 001 | General Expense Fund | | | 690.59 | LECHNER, ELLI N - LEOFF2 |
| 522 | 20 20 0030 | Firefighter/EMT- WA : | 001 | 001 | General Expense Fund | | | 343.11 | NORTH, CADEN T.S. - LEOFF2 |
| 589 | 99 00 0000 | Payroll Benefits Cleari | 001 | 001 | General Expense Fund | | | 550.14 | NORTH, CADEN T.S. - LEOFF2 |
| 522 | 20 20 0030 | Firefighter/EMT- WA : | 001 | 001 | General Expense Fund | | | 311.06 | PALMER, TUESDAY A - LEOFF2 |
| 589 | 99 00 0000 | Payroll Benefits Cleari | 001 | 001 | General Expense Fund | | | 498.75 | PALMER, TUESDAY A - LEOFF2 |
| 522 | 20 20 0030 | Firefighter/EMT- WA : | 001 | 001 | General Expense Fund | | | 348.38 | PELLOW, RIDGE H - LEOFF2 |
| 589 | 99 00 0000 | Payroll Benefits Cleari | 001 | 001 | General Expense Fund | | | 558.59 | PELLOW, RIDGE H - LEOFF2 |
| 522 | 71 20 0030 | Firefighter/paramedic | 001 | 001 | General Expense Fund | | | 668.28 | QUIROZ JR., VICTOR - LEOFF2 |
| 589 | 99 00 0000 | Payroll Benefits Cleari | 001 | 001 | General Expense Fund | | | 1,071.51 | QUIROZ JR., VICTOR - LEOFF2 |
| 522 | 20 20 0030 | Firefighter/EMT- WA : | 001 | 001 | General Expense Fund | | | 708.85 | RHEAD, ANTHONY - LEOFF2 |
| 589 | 99 00 0000 | Payroll Benefits Cleari | 001 | 001 | General Expense Fund | | | 1,136.56 | RHEAD, ANTHONY - LEOFF2 |
| 522 | 71 20 0030 | Firefighter/paramedic | 001 | 001 | General Expense Fund | | | 587.81 | SEVERANCE, KYLE C - LEOFF2 |
| 589 | 99 00 0000 | Payroll Benefits Cleari | 001 | 001 | General Expense Fund | | | 942.49 | SEVERANCE, KYLE C - LEOFF2 |
| 522 | 20 20 0030 | Firefighter/EMT- WA : | 001 | 001 | General Expense Fund | | | 497.68 | SUMMERLIN, ANTONIO - LEOFF2 |
| 589 | 99 00 0000 | Payroll Benefits Cleari | 001 | 001 | General Expense Fund | | | 797.96 | SUMMERLIN, ANTONIO - LEOFF2 |
| 522 | 20 20 0030 | Firefighter/EMT- WA : | 001 | 001 | General Expense Fund | | | 345.05 | TAYLOR, CONNOR M - LEOFF2 |
| 589 | 99 00 0000 | Payroll Benefits Cleari | 001 | 001 | General Expense Fund | | | 553.25 | TAYLOR, CONNOR M - LEOFF2 |
| 522 | 71 20 0030 | Firefighter/paramedic | 001 | 001 | General Expense Fund | | | 573.79 | TORVIK, DAVID A - LEOFF2 |

TRANSACTION JOURNAL

North Mason Regional Fire Authority

Time: 10:01:31 Date: 04/10/2026

04/14/2026 To: 04/30/2026

Page: 9

| Trans | Date | Redeemed | Acct # | Chk # | Type | Receipt # InterFund # | Vendor | Amount | Memo |
|------------|-------------------|-------------------------|----------|-------|----------------------|--------------------------|------------------------------|-----------------|--|
| | 589 99 00 0000 | Payroll Benefits Cleari | 001 | 001 | General Expense Fund | | | 920.01 | TORVIK, DAVID A - LEOFF2 |
| | 522 71 20 0030 | Firefighter/paramedic | 001 | 001 | General Expense Fund | | | 584.86 | WILSON, TRAVIS R - LEOFF2 |
| | 589 99 00 0000 | Payroll Benefits Cleari | 001 | 001 | General Expense Fund | | | 937.75 | WILSON, TRAVIS R - LEOFF2 |
| | 522 20 20 0030 | Firefighter/EMT- WA : | 001 | 001 | General Expense Fund | | | 613.78 | YATES, JEFF J - LEOFF2 |
| | 589 99 00 0000 | Payroll Benefits Cleari | 001 | 001 | General Expense Fund | | | 984.12 | YATES, JEFF J - LEOFF2 |
| 498 | 04/30/2026 | | 1 | | Payroll | | NATIONWIDE RETIREMENT | 1,774.00 | Pay Cycle(s) 04/30/2026 To 04/30/2026 - DC-NATION |
| | 589 99 00 0000 | Payroll Benefits Cleari | 001 | 001 | General Expense Fund | | | 600.00 | COTTER, MICKEY J - DC-NATION |
| | 589 99 00 0000 | Payroll Benefits Cleari | 001 | 001 | General Expense Fund | | | 600.00 | GARDNER, DONALD A - DC-NATION |
| | 589 99 00 0000 | Payroll Benefits Cleari | 001 | 001 | General Expense Fund | | | 574.00 | HENRY, TAVIA D - DC-NATION |
| 499 | 04/30/2026 | | 1 | | Payroll | | NMRFA - FOOD FUND | 205.00 | Pay Cycle(s) 04/30/2026 To 04/30/2026 - FOOD |
| | 589 99 00 0000 | Payroll Benefits Cleari | 001 | 001 | General Expense Fund | | | 5.00 | ARNOLD, DONOVAN P - FOOD |
| | 589 99 00 0000 | Payroll Benefits Cleari | 001 | 001 | General Expense Fund | | | 5.00 | BISHOP, MELINDA S - FOOD |
| | 589 99 00 0000 | Payroll Benefits Cleari | 001 | 001 | General Expense Fund | | | 5.00 | BORCHERDING, CHYNNA C - FOOD |
| | 589 99 00 0000 | Payroll Benefits Cleari | 001 | 001 | General Expense Fund | | | 5.00 | BROWN, BETH - FOOD |
| | 589 99 00 0000 | Payroll Benefits Cleari | 001 | 001 | General Expense Fund | | | 5.00 | BRYANT, CARL D - FOOD |
| | 589 99 00 0000 | Payroll Benefits Cleari | 001 | 001 | General Expense Fund | | | 5.00 | CLEVELAND, RYAN W - FOOD |
| | 589 99 00 0000 | Payroll Benefits Cleari | 001 | 001 | General Expense Fund | | | 5.00 | CLOUD, RYAN D - FOOD |
| | 589 99 00 0000 | Payroll Benefits Cleari | 001 | 001 | General Expense Fund | | | 5.00 | COLLAMORE, ROBERT S - FOOD |
| | 589 99 00 0000 | Payroll Benefits Cleari | 001 | 001 | General Expense Fund | | | 5.00 | COOPER, SCOTT N - FOOD |
| | 589 99 00 0000 | Payroll Benefits Cleari | 001 | 001 | General Expense Fund | | | 5.00 | COTTER, MICKEY J - FOOD |
| | 589 99 00 0000 | Payroll Benefits Cleari | 001 | 001 | General Expense Fund | | | 5.00 | EHRESMAN II, CARL E - FOOD |
| | 589 99 00 0000 | Payroll Benefits Cleari | 001 | 001 | General Expense Fund | | | 5.00 | ESTRADA, DANIEL - FOOD |
| | 589 99 00 0000 | Payroll Benefits Cleari | 001 | 001 | General Expense Fund | | | 5.00 | GARDNER, DONALD A - FOOD |
| | 589 99 00 0000 | Payroll Benefits Cleari | 001 | 001 | General Expense Fund | | | 5.00 | HENRY, NICHOLAS R - FOOD |
| | 589 99 00 0000 | Payroll Benefits Cleari | 001 | 001 | General Expense Fund | | | 5.00 | HENRY, TAVIA D - FOOD |
| | 589 99 00 0000 | Payroll Benefits Cleari | 001 | 001 | General Expense Fund | | | 5.00 | JENSON, ZACKARY T - FOOD |
| | 589 99 00 0000 | Payroll Benefits Cleari | 001 | 001 | General Expense Fund | | | 5.00 | JOHNSON, ANDREW - FOOD |
| | 589 99 00 0000 | Payroll Benefits Cleari | 001 | 001 | General Expense Fund | | | 5.00 | KLAHR, DERIC J - FOOD |
| | 589 99 00 0000 | Payroll Benefits Cleari | 001 | 001 | General Expense Fund | | | 5.00 | LECHNER, ELLI N - FOOD |
| | 589 99 00 0000 | Payroll Benefits Cleari | 001 | 001 | General Expense Fund | | | 5.00 | MCCORMICK, ANGIE M - FOOD |
| | 589 99 00 0000 | Payroll Benefits Cleari | 001 | 001 | General Expense Fund | | | 5.00 | MUSGRAVE, KATIE M - FOOD |
| | 589 99 00 0000 | Payroll Benefits Cleari | 001 | 001 | General Expense Fund | | | 5.00 | NESS, JONAH A - FOOD |
| | 589 99 00 0000 | Payroll Benefits Cleari | 001 | 001 | General Expense Fund | | | 5.00 | NORTH, CADEN T.S. - FOOD |
| | 589 99 00 0000 | Payroll Benefits Cleari | 001 | 001 | General Expense Fund | | | 5.00 | PALMER, TUESDAY A - FOOD |
| | 589 99 00 0000 | Payroll Benefits Cleari | 001 | 001 | General Expense Fund | | | 5.00 | PELLOW, RIDGE H - FOOD |
| | 589 99 00 0000 | Payroll Benefits Cleari | 001 | 001 | General Expense Fund | | | 5.00 | QUIROZ JR., VICTOR - FOOD |
| | 589 99 00 0000 | Payroll Benefits Cleari | 001 | 001 | General Expense Fund | | | 5.00 | RAHL, GAVIN P - FOOD |

TRANSACTION JOURNAL

North Mason Regional Fire Authority

Time: 10:01:31 Date: 04/10/2026

04/14/2026 To: 04/30/2026

Page: 10

| Trans | Date | Redeemed | Acct # | Chk # | Type | Receipt # InterFund # | Vendor | Amount | Memo |
|------------|-------------------|-------------------------|----------|-------|----------------------|--------------------------|--|-------------------|---|
| | 589 99 00 0000 | Payroll Benefits Cleari | 001 | 001 | General Expense Fund | | | 5.00 | REMBOLDT, ALEX J - FOOD |
| | 589 99 00 0000 | Payroll Benefits Cleari | 001 | 001 | General Expense Fund | | | 5.00 | RHEAD, ANTHONY - FOOD |
| | 589 99 00 0000 | Payroll Benefits Cleari | 001 | 001 | General Expense Fund | | | 5.00 | ROSS NEERGAARD, GABRIEL K - FOOD |
| | 589 99 00 0000 | Payroll Benefits Cleari | 001 | 001 | General Expense Fund | | | 5.00 | SEVERANCE, KYLE C - FOOD |
| | 589 99 00 0000 | Payroll Benefits Cleari | 001 | 001 | General Expense Fund | | | 5.00 | SHORT, DONNA L - FOOD |
| | 589 99 00 0000 | Payroll Benefits Cleari | 001 | 001 | General Expense Fund | | | 5.00 | STONE, PATRICIA L - FOOD |
| | 589 99 00 0000 | Payroll Benefits Cleari | 001 | 001 | General Expense Fund | | | 5.00 | STROMBACH, MASON A - FOOD |
| | 589 99 00 0000 | Payroll Benefits Cleari | 001 | 001 | General Expense Fund | | | 5.00 | SUMMERLIN, ANTONIO - FOOD |
| | 589 99 00 0000 | Payroll Benefits Cleari | 001 | 001 | General Expense Fund | | | 5.00 | TAURMAN, LEVI D - FOOD |
| | 589 99 00 0000 | Payroll Benefits Cleari | 001 | 001 | General Expense Fund | | | 5.00 | TAYLOR, CONNOR M - FOOD |
| | 589 99 00 0000 | Payroll Benefits Cleari | 001 | 001 | General Expense Fund | | | 5.00 | TORVIK, DAVID A - FOOD |
| | 589 99 00 0000 | Payroll Benefits Cleari | 001 | 001 | General Expense Fund | | | 5.00 | VIERGUTZ, JANSEN W - FOOD |
| | 589 99 00 0000 | Payroll Benefits Cleari | 001 | 001 | General Expense Fund | | | 5.00 | WILSON, TRAVIS R - FOOD |
| | 589 99 00 0000 | Payroll Benefits Cleari | 001 | 001 | General Expense Fund | | | 5.00 | YATES, JEFF J - FOOD |
| 500 | 04/30/2026 | | 1 | | Payroll | | NMRFA PAYEE ACCOUNT | 241,582.56 | Payroll Direct Deposit |
| | 522 10 10 9999 | Payroll Clearing | | 001 | General Expense Fund | | | 241,582.56 | |
| 501 | 04/30/2026 | | 1 | | Payroll | | MASON CTY TREASURER PAYROLL TAX | 57,972.72 | 941 Deposit for Pay Cycle(s) 04/30/2026 - 04/30/2026 |
| | 522 20 20 0020 | Firefighter/EMT- Med | 001 | 001 | General Expense Fund | | | 169.22 | ARNOLD, DONOVAN P - 941 |
| | 589 99 00 0000 | Payroll Benefits Cleari | 001 | 001 | General Expense Fund | | | 1,140.30 | ARNOLD, DONOVAN P - 941 |
| | 522 10 20 0020 | Admin Staff- Medicar | 001 | 001 | General Expense Fund | | | 245.22 | BAKKEN, BEAU A - 941 |
| | 589 99 00 0000 | Payroll Benefits Cleari | 001 | 001 | General Expense Fund | | | 3,017.14 | BAKKEN, BEAU A - 941 |
| | 522 22 49 0002 | Volunteer Personnel S | 001 | 001 | General Expense Fund | | | 9.18 | BERRY, SHAWN M - 941 |
| | 589 99 00 0000 | Payroll Benefits Cleari | 001 | 001 | General Expense Fund | | | 9.18 | BERRY, SHAWN M - 941 |
| | 522 72 20 0020 | MIHP Medicare | 001 | 001 | General Expense Fund | | | 201.44 | BISHOP, MELINDA S - 941 |
| | 589 99 00 0000 | Payroll Benefits Cleari | 001 | 001 | General Expense Fund | | | 2,284.90 | BISHOP, MELINDA S - 941 |
| | 522 20 20 0020 | Firefighter/EMT- Med | 001 | 001 | General Expense Fund | | | 91.31 | BORCHERDING, CHYNNA C - 941 |
| | 589 99 00 0000 | Payroll Benefits Cleari | 001 | 001 | General Expense Fund | | | 468.62 | BORCHERDING, CHYNNA C - 941 |
| | 522 72 20 0020 | MIHP Medicare | 001 | 001 | General Expense Fund | | | 149.50 | BROWN, BETH - 941 |
| | 589 99 00 0000 | Payroll Benefits Cleari | 001 | 001 | General Expense Fund | | | 1,023.40 | BROWN, BETH - 941 |
| | 522 20 20 0020 | Firefighter/EMT- Med | 001 | 001 | General Expense Fund | | | 91.31 | BRYANT, CARL D - 941 |
| | 589 99 00 0000 | Payroll Benefits Cleari | 001 | 001 | General Expense Fund | | | 947.22 | BRYANT, CARL D - 941 |
| | 522 71 20 0020 | Firefighter/paramedic | 001 | 001 | General Expense Fund | | | 239.18 | CLEVELAND, RYAN W - 941 |
| | 589 99 00 0000 | Payroll Benefits Cleari | 001 | 001 | General Expense Fund | | | 2,669.81 | CLEVELAND, RYAN W - 941 |
| | 522 71 20 0020 | Firefighter/paramedic | 001 | 001 | General Expense Fund | | | 199.08 | CLOUD, RYAN D - 941 |
| | 589 99 00 0000 | Payroll Benefits Cleari | 001 | 001 | General Expense Fund | | | 1,970.38 | CLOUD, RYAN D - 941 |
| | 522 71 20 0020 | Firefighter/paramedic | 001 | 001 | General Expense Fund | | | 175.13 | COLLAMORE, ROBERT S - 941 |
| | 589 99 00 0000 | Payroll Benefits Cleari | 001 | 001 | General Expense Fund | | | 2,058.94 | COLLAMORE, ROBERT S - 941 |
| | 522 10 20 0020 | Admin Staff- Medicar | 001 | 001 | General Expense Fund | | | 241.36 | COOPER, SCOTT N - 941 |

TRANSACTION JOURNAL

North Mason Regional Fire Authority

Time: 10:01:31 Date: 04/10/2026

04/14/2026 To: 04/30/2026

Page: 11

| Trans | Date | Redeemed | Acct # | Chk # | Type | Receipt # | | Amount | Memo |
|-------|------------|-------------------------|--------|-------|----------------------|-------------|--------|----------|---------------------------|
| | | | | | | InterFund # | Vendor | | |
| 589 | 99 00 0000 | Payroll Benefits Cleari | 001 | 001 | General Expense Fund | | | 2,889.51 | COOPER, SCOTT N - 941 |
| 522 | 71 20 0020 | Firefighter/paramedic | 001 | 001 | General Expense Fund | | | 177.23 | COTTER, MICKEY J - 941 |
| 589 | 99 00 0000 | Payroll Benefits Cleari | 001 | 001 | General Expense Fund | | | 1,764.57 | COTTER, MICKEY J - 941 |
| 522 | 20 20 0020 | Firefighter/EMT- Med | 001 | 001 | General Expense Fund | | | 191.73 | EHRESMAN II, CARL E - 941 |
| 589 | 99 00 0000 | Payroll Benefits Cleari | 001 | 001 | General Expense Fund | | | 2,568.41 | EHRESMAN II, CARL E - 941 |
| 522 | 21 49 0002 | Student Firefighter Pr | 001 | 001 | General Expense Fund | | | 38.25 | ESTRADA, DANIEL - 941 |
| 589 | 99 00 0000 | Payroll Benefits Cleari | 001 | 001 | General Expense Fund | | | 38.25 | ESTRADA, DANIEL - 941 |
| 522 | 20 20 0020 | Firefighter/EMT- Med | 001 | 001 | General Expense Fund | | | 158.41 | GARDNER, DONALD A - 941 |
| 589 | 99 00 0000 | Payroll Benefits Cleari | 001 | 001 | General Expense Fund | | | 1,577.40 | GARDNER, DONALD A - 941 |
| 522 | 21 49 0002 | Student Firefighter Pr | 001 | 001 | General Expense Fund | | | 38.25 | HENRY, NICHOLAS R - 941 |
| 589 | 99 00 0000 | Payroll Benefits Cleari | 001 | 001 | General Expense Fund | | | 38.25 | HENRY, NICHOLAS R - 941 |
| 522 | 71 20 0020 | Firefighter/paramedic | 001 | 001 | General Expense Fund | | | 173.42 | HENRY, TAVIA D - 941 |
| 589 | 99 00 0000 | Payroll Benefits Cleari | 001 | 001 | General Expense Fund | | | 1,179.15 | HENRY, TAVIA D - 941 |
| 522 | 21 49 0002 | Student Firefighter Pr | 001 | 001 | General Expense Fund | | | 15.30 | IMLAY, SHYANN R - 941 |
| 589 | 99 00 0000 | Payroll Benefits Cleari | 001 | 001 | General Expense Fund | | | 15.30 | IMLAY, SHYANN R - 941 |
| 522 | 11 20 0020 | Social Security and M | 001 | 001 | General Expense Fund | | | 24.63 | INCH, JOHN V - 941 |
| 589 | 99 00 0000 | Payroll Benefits Cleari | 001 | 001 | General Expense Fund | | | 24.63 | INCH, JOHN V - 941 |
| 522 | 71 20 0020 | Firefighter/paramedic | 001 | 001 | General Expense Fund | | | 165.48 | JENSON, ZACKARY T - 941 |
| 589 | 99 00 0000 | Payroll Benefits Cleari | 001 | 001 | General Expense Fund | | | 1,935.61 | JENSON, ZACKARY T - 941 |
| 522 | 20 20 0020 | Firefighter/EMT- Med | 001 | 001 | General Expense Fund | | | 153.62 | JOHNSON, ANDREW - 941 |
| 589 | 99 00 0000 | Payroll Benefits Cleari | 001 | 001 | General Expense Fund | | | 921.63 | JOHNSON, ANDREW - 941 |
| 522 | 20 20 0020 | Firefighter/EMT- Med | 001 | 001 | General Expense Fund | | | 140.86 | JONES, RYAN E - 941 |
| 589 | 99 00 0000 | Payroll Benefits Cleari | 001 | 001 | General Expense Fund | | | 1,134.83 | JONES, RYAN E - 941 |
| 522 | 11 20 0020 | Social Security and M | 001 | 001 | General Expense Fund | | | 24.63 | KEWISH, DANIEL K - 941 |
| 589 | 99 00 0000 | Payroll Benefits Cleari | 001 | 001 | General Expense Fund | | | 24.63 | KEWISH, DANIEL K - 941 |
| 522 | 20 20 0020 | Firefighter/EMT- Med | 001 | 001 | General Expense Fund | | | 161.76 | KLAHR, DERIC J - 941 |
| 589 | 99 00 0000 | Payroll Benefits Cleari | 001 | 001 | General Expense Fund | | | 1,922.36 | KLAHR, DERIC J - 941 |
| 522 | 20 20 0020 | Firefighter/EMT- Med | 001 | 001 | General Expense Fund | | | 121.38 | LECHNER, ELLI N - 941 |
| 589 | 99 00 0000 | Payroll Benefits Cleari | 001 | 001 | General Expense Fund | | | 681.57 | LECHNER, ELLI N - 941 |
| 522 | 10 20 0020 | Admin Staff- Medicar | 001 | 001 | General Expense Fund | | | 150.38 | MCCORMICK, ANGIE M - 941 |
| 589 | 99 00 0000 | Payroll Benefits Cleari | 001 | 001 | General Expense Fund | | | 1,473.92 | MCCORMICK, ANGIE M - 941 |
| 522 | 11 20 0020 | Social Security and M | 001 | 001 | General Expense Fund | | | 36.95 | MCINTOSH, KELLEY - 941 |
| 589 | 99 00 0000 | Payroll Benefits Cleari | 001 | 001 | General Expense Fund | | | 36.95 | MCINTOSH, KELLEY - 941 |
| 522 | 72 20 0020 | MIHP Medicare | 001 | 001 | General Expense Fund | | | 65.25 | MEYERS, AARON M - 941 |
| 589 | 99 00 0000 | Payroll Benefits Cleari | 001 | 001 | General Expense Fund | | | 423.58 | MEYERS, AARON M - 941 |
| 522 | 11 20 0020 | Social Security and M | 001 | 001 | General Expense Fund | | | 24.63 | MILLER, ROBERT G - 941 |
| 589 | 99 00 0000 | Payroll Benefits Cleari | 001 | 001 | General Expense Fund | | | 24.63 | MILLER, ROBERT G - 941 |
| 522 | 10 20 0020 | Admin Staff- Medicar | 001 | 001 | General Expense Fund | | | 143.20 | MUSGRAVE, KATIE M - 941 |
| 589 | 99 00 0000 | Payroll Benefits Cleari | 001 | 001 | General Expense Fund | | | 1,365.99 | MUSGRAVE, KATIE M - 941 |
| 522 | 22 49 0002 | Volunteer Personnel S | 001 | 001 | General Expense Fund | | | 27.54 | NESS, JONAH A - 941 |

TRANSACTION JOURNAL

North Mason Regional Fire Authority

Time: 10:01:31 Date: 04/10/2026

04/14/2026 To: 04/30/2026

Page: 12

| Trans | Date | Redeemed | Acct # | Chk # | Type | Receipt # | | Amount | Memo |
|-------|------------|-------------------------|--------|-------|----------------------|-------------|--------|----------|---------------------------------|
| | | | | | | InterFund # | Vendor | | |
| 589 | 99 00 0000 | Payroll Benefits Cleari | 001 | 001 | General Expense Fund | | | 27.54 | NESS, JONAH A - 941 |
| 522 | 20 20 0020 | Firefighter/EMT- Med | 001 | 001 | General Expense Fund | | | 100.77 | NORTH, CADEN T.S. - 941 |
| 589 | 99 00 0000 | Payroll Benefits Cleari | 001 | 001 | General Expense Fund | | | 756.33 | NORTH, CADEN T.S. - 941 |
| 522 | 20 20 0020 | Firefighter/EMT- Med | 001 | 001 | General Expense Fund | | | 89.57 | PALMER, TUESDAY A - 941 |
| 589 | 99 00 0000 | Payroll Benefits Cleari | 001 | 001 | General Expense Fund | | | 612.58 | PALMER, TUESDAY A - 941 |
| 522 | 20 20 0020 | Firefighter/EMT- Med | 001 | 001 | General Expense Fund | | | 104.45 | PELLOW, RIDGE H - 941 |
| 589 | 99 00 0000 | Payroll Benefits Cleari | 001 | 001 | General Expense Fund | | | 445.28 | PELLOW, RIDGE H - 941 |
| 522 | 71 20 0020 | Firefighter/paramedic | 001 | 001 | General Expense Fund | | | 185.99 | QUIROZ JR., VICTOR - 941 |
| 589 | 99 00 0000 | Payroll Benefits Cleari | 001 | 001 | General Expense Fund | | | 2,340.37 | QUIROZ JR., VICTOR - 941 |
| 522 | 21 49 0002 | Student Firefighter Pr | 001 | 001 | General Expense Fund | | | 15.30 | RAHL, GAVIN P - 941 |
| 589 | 99 00 0000 | Payroll Benefits Cleari | 001 | 001 | General Expense Fund | | | 15.30 | RAHL, GAVIN P - 941 |
| 522 | 21 49 0002 | Student Firefighter Pr | 001 | 001 | General Expense Fund | | | 15.30 | REMBOLDT, ALEX J - 941 |
| 589 | 99 00 0000 | Payroll Benefits Cleari | 001 | 001 | General Expense Fund | | | 15.30 | REMBOLDT, ALEX J - 941 |
| 522 | 20 20 0020 | Firefighter/EMT- Med | 001 | 001 | General Expense Fund | | | 199.00 | RHEAD, ANTHONY - 941 |
| 589 | 99 00 0000 | Payroll Benefits Cleari | 001 | 001 | General Expense Fund | | | 1,808.85 | RHEAD, ANTHONY - 941 |
| 522 | 21 49 0002 | Student Firefighter Pr | 001 | 001 | General Expense Fund | | | 15.30 | ROSS NEERGAARD, GABRIEL K - 941 |
| 589 | 99 00 0000 | Payroll Benefits Cleari | 001 | 001 | General Expense Fund | | | 15.30 | ROSS NEERGAARD, GABRIEL K - 941 |
| 522 | 22 49 0002 | Volunteer Personnel S | 001 | 001 | General Expense Fund | | | 45.90 | SAMMONS, MICHAEL J - 941 |
| 589 | 99 00 0000 | Payroll Benefits Cleari | 001 | 001 | General Expense Fund | | | 45.90 | SAMMONS, MICHAEL J - 941 |
| 522 | 71 20 0020 | Firefighter/paramedic | 001 | 001 | General Expense Fund | | | 163.84 | SEVERANCE, KYLE C - 941 |
| 589 | 99 00 0000 | Payroll Benefits Cleari | 001 | 001 | General Expense Fund | | | 1,606.14 | SEVERANCE, KYLE C - 941 |
| 522 | 11 20 0020 | Social Security and M | 001 | 001 | General Expense Fund | | | 24.63 | SEVERSON, PAUL M - 941 |
| 589 | 99 00 0000 | Payroll Benefits Cleari | 001 | 001 | General Expense Fund | | | 24.63 | SEVERSON, PAUL M - 941 |
| 522 | 72 20 0020 | MIHP Medicare | 001 | 001 | General Expense Fund | | | 120.35 | SHORT, DONNA L - 941 |
| 589 | 99 00 0000 | Payroll Benefits Cleari | 001 | 001 | General Expense Fund | | | 990.52 | SHORT, DONNA L - 941 |
| 522 | 10 20 0020 | Admin Staff- Medicar | 001 | 001 | General Expense Fund | | | 94.83 | STONE, PATRICIA L - 941 |
| 589 | 99 00 0000 | Payroll Benefits Cleari | 001 | 001 | General Expense Fund | | | 1,166.34 | STONE, PATRICIA L - 941 |
| 522 | 21 49 0002 | Student Firefighter Pr | 001 | 001 | General Expense Fund | | | 38.25 | STROMBACH, MASON A - 941 |
| 589 | 99 00 0000 | Payroll Benefits Cleari | 001 | 001 | General Expense Fund | | | 38.25 | STROMBACH, MASON A - 941 |
| 522 | 20 20 0020 | Firefighter/EMT- Med | 001 | 001 | General Expense Fund | | | 139.99 | SUMMERLIN, ANTONIO - 941 |
| 589 | 99 00 0000 | Payroll Benefits Cleari | 001 | 001 | General Expense Fund | | | 1,526.38 | SUMMERLIN, ANTONIO - 941 |
| 522 | 21 49 0002 | Student Firefighter Pr | 001 | 001 | General Expense Fund | | | 15.30 | TAURMAN, LEVI D - 941 |
| 589 | 99 00 0000 | Payroll Benefits Cleari | 001 | 001 | General Expense Fund | | | 15.30 | TAURMAN, LEVI D - 941 |
| 522 | 20 20 0020 | Firefighter/EMT- Med | 001 | 001 | General Expense Fund | | | 105.33 | TAYLOR, CONNOR M - 941 |
| 589 | 99 00 0000 | Payroll Benefits Cleari | 001 | 001 | General Expense Fund | | | 505.31 | TAYLOR, CONNOR M - 941 |
| 522 | 21 49 0002 | Student Firefighter Pr | 001 | 001 | General Expense Fund | | | 38.25 | TORRES JR, CHRISTION D - 941 |
| 589 | 99 00 0000 | Payroll Benefits Cleari | 001 | 001 | General Expense Fund | | | 38.25 | TORRES JR, CHRISTION D - 941 |
| 522 | 71 20 0020 | Firefighter/paramedic | 001 | 001 | General Expense Fund | | | 162.19 | TORVIK, DAVID A - 941 |
| 589 | 99 00 0000 | Payroll Benefits Cleari | 001 | 001 | General Expense Fund | | | 1,073.12 | TORVIK, DAVID A - 941 |
| 522 | 21 49 0002 | Student Firefighter Pr | 001 | 001 | General Expense Fund | | | 15.30 | VIERGUTZ, JANSEN W - 941 |

TRANSACTION JOURNAL

North Mason Regional Fire Authority

Time: 10:01:31 Date: 04/10/2026

04/14/2026 To: 04/30/2026

Page: 13

| Trans | Date | Redeemed | Acct # | Chk # | Type | Receipt # InterFund # | Vendor | Amount | Memo |
|------------|-------------------|----------------|-------------------------|-------|----------------------|--------------------------|-------------------------------------|-------------------|---|
| | | 589 99 00 0000 | Payroll Benefits Cleari | 001 | General Expense Fund | | | 15.30 | VIERGUTZ, JANSEN W - 941 |
| | | 522 71 20 0020 | Firefighter/paramedic | 001 | General Expense Fund | | | 170.69 | WILSON, TRAVIS R - 941 |
| | | 589 99 00 0000 | Payroll Benefits Cleari | 001 | General Expense Fund | | | 991.59 | WILSON, TRAVIS R - 941 |
| | | 522 20 20 0020 | Firefighter/EMT- Med | 001 | General Expense Fund | | | 171.85 | YATES, JEFF J - 941 |
| | | 589 99 00 0000 | Payroll Benefits Cleari | 001 | General Expense Fund | | | 2,390.57 | YATES, JEFF J - 941 |
| 502 | 04/30/2026 | | 1 | | Payroll | | VIMLY BENEFIT SOLUTIONS, INC | 100,950.14 | Pay Cycle(s) 04/30/2026 To 04/30/2026 - PREMERA-EE (E/Child); Pay Cycle(s) 04/30/2026 To 04/30/2026 - PREMERA-Family; Pay Cycle(s) 04/30/2026 To 04/30/2026 - PREMERA-Married; Pay Cycle(s) 04/30/2026 T |
| | | 522 71 20 0040 | Firefighter/Paramedic | 001 | General Expense Fund | | | 2,640.66 | COTTER, MICKEY J - PREMERA-EE (E/Child) |
| | | 589 99 00 0000 | Payroll Benefits Cleari | 001 | General Expense Fund | | | 21.48 | COTTER, MICKEY J - PREMERA-EE (E/Child) |
| | | 522 71 20 0040 | Firefighter/Paramedic | 001 | General Expense Fund | | | 2,640.66 | SEVERANCE, KYLE C - PREMERA-EE (E/Child) |
| | | 589 99 00 0000 | Payroll Benefits Cleari | 001 | General Expense Fund | | | 21.48 | SEVERANCE, KYLE C - PREMERA-EE (E/Child) |
| | | 522 20 20 0040 | Firefighter/EMT- HRA | 001 | General Expense Fund | | | 4,140.81 | ARNOLD, DONOVAN P - PREMERA-Family |
| | | 589 99 00 0000 | Payroll Benefits Cleari | 001 | General Expense Fund | | | 33.81 | ARNOLD, DONOVAN P - PREMERA-Family |
| | | 522 10 20 0040 | Admin Staff- HRA, HI, | 001 | General Expense Fund | | | 4,140.81 | BAKKEN, BEAU A - PREMERA-Family |
| | | 589 99 00 0000 | Payroll Benefits Cleari | 001 | General Expense Fund | | | 33.81 | BAKKEN, BEAU A - PREMERA-Family |
| | | 522 20 20 0040 | Firefighter/EMT- HRA | 001 | General Expense Fund | | | 4,140.81 | BORCHERDING, CHYNNA C - PREMERA-Family |
| | | 589 99 00 0000 | Payroll Benefits Cleari | 001 | General Expense Fund | | | 33.81 | BORCHERDING, CHYNNA C - PREMERA-Family |
| | | 522 20 20 0040 | Firefighter/EMT- HRA | 001 | General Expense Fund | | | 4,140.81 | BRYANT, CARL D - PREMERA-Family |
| | | 589 99 00 0000 | Payroll Benefits Cleari | 001 | General Expense Fund | | | 33.81 | BRYANT, CARL D - PREMERA-Family |
| | | 522 71 20 0040 | Firefighter/Paramedic | 001 | General Expense Fund | | | 4,140.81 | CLOUD, RYAN D - PREMERA-Family |
| | | 589 99 00 0000 | Payroll Benefits Cleari | 001 | General Expense Fund | | | 33.81 | CLOUD, RYAN D - PREMERA-Family |
| | | 522 20 20 0040 | Firefighter/EMT- HRA | 001 | General Expense Fund | | | 4,140.81 | EHRESMAN II, CARL E - PREMERA-Family |
| | | 589 99 00 0000 | Payroll Benefits Cleari | 001 | General Expense Fund | | | 33.81 | EHRESMAN II, CARL E - PREMERA-Family |
| | | 522 20 20 0040 | Firefighter/EMT- HRA | 001 | General Expense Fund | | | 4,140.81 | GARDNER, DONALD A - PREMERA-Family |
| | | 589 99 00 0000 | Payroll Benefits Cleari | 001 | General Expense Fund | | | 33.81 | GARDNER, DONALD A - PREMERA-Family |
| | | 522 71 20 0040 | Firefighter/Paramedic | 001 | General Expense Fund | | | 4,140.81 | HENRY, TAVIA D - PREMERA-Family |
| | | 589 99 00 0000 | Payroll Benefits Cleari | 001 | General Expense Fund | | | 33.81 | HENRY, TAVIA D - PREMERA-Family |

TRANSACTION JOURNAL

North Mason Regional Fire Authority

Time: 10:01:31 Date: 04/10/2026

04/14/2026 To: 04/30/2026

Page: 14

| Trans | Date | Redeemed | Acct # | Chk # | Type | Receipt # | | Amount | Memo |
|-------|----------------|-------------------------|--------|-------|----------------------|-------------|--------|----------|---|
| | | | | | | InterFund # | Vendor | | |
| | 522 20 20 0040 | Firefighter/EMT- HRA | 001 | 001 | General Expense Fund | | | 4,140.81 | JOHNSON, ANDREW - PREMERA-Family |
| | 589 99 00 0000 | Payroll Benefits Cleari | 001 | 001 | General Expense Fund | | | 33.81 | JOHNSON, ANDREW - PREMERA-Family |
| | 522 20 20 0040 | Firefighter/EMT- HRA | 001 | 001 | General Expense Fund | | | 4,140.81 | KLAHR, DERIC J - PREMERA-Family |
| | 589 99 00 0000 | Payroll Benefits Cleari | 001 | 001 | General Expense Fund | | | 33.81 | KLAHR, DERIC J - PREMERA-Family |
| | 522 20 20 0040 | Firefighter/EMT- HRA | 001 | 001 | General Expense Fund | | | 4,140.81 | PELLOW, RIDGE H - PREMERA-Family |
| | 589 99 00 0000 | Payroll Benefits Cleari | 001 | 001 | General Expense Fund | | | 33.81 | PELLOW, RIDGE H - PREMERA-Family |
| | 522 71 20 0040 | Firefighter/Paramedic | 001 | 001 | General Expense Fund | | | 4,140.81 | QUIROZ JR., VICTOR - PREMERA-Family |
| | 589 99 00 0000 | Payroll Benefits Cleari | 001 | 001 | General Expense Fund | | | 33.81 | QUIROZ JR., VICTOR - PREMERA-Family |
| | 522 20 20 0040 | Firefighter/EMT- HRA | 001 | 001 | General Expense Fund | | | 4,140.81 | SUMMERLIN, ANTONIO - PREMERA-Family |
| | 589 99 00 0000 | Payroll Benefits Cleari | 001 | 001 | General Expense Fund | | | 33.81 | SUMMERLIN, ANTONIO - PREMERA-Family |
| | 522 20 20 0040 | Firefighter/EMT- HRA | 001 | 001 | General Expense Fund | | | 4,140.81 | TAYLOR, CONNOR M - PREMERA-Family |
| | 589 99 00 0000 | Payroll Benefits Cleari | 001 | 001 | General Expense Fund | | | 33.81 | TAYLOR, CONNOR M - PREMERA-Family |
| | 522 71 20 0040 | Firefighter/Paramedic | 001 | 001 | General Expense Fund | | | 4,140.81 | TORVIK, DAVID A - PREMERA-Family |
| | 589 99 00 0000 | Payroll Benefits Cleari | 001 | 001 | General Expense Fund | | | 33.81 | TORVIK, DAVID A - PREMERA-Family |
| | 522 20 20 0040 | Firefighter/EMT- HRA | 001 | 001 | General Expense Fund | | | 4,140.81 | YATES, JEFF J - PREMERA-Family |
| | 589 99 00 0000 | Payroll Benefits Cleari | 001 | 001 | General Expense Fund | | | 33.81 | YATES, JEFF J - PREMERA-Family |
| | 522 71 20 0040 | Firefighter/Paramedic | 001 | 001 | General Expense Fund | | | 3,015.71 | WILSON, TRAVIS R - PREMERA-Married |
| | 589 99 00 0000 | Payroll Benefits Cleari | 001 | 001 | General Expense Fund | | | 24.57 | WILSON, TRAVIS R - PREMERA-Married |
| | 522 71 20 0040 | Firefighter/Paramedic | 001 | 001 | General Expense Fund | | | 1,515.56 | COLLAMORE, ROBERT S - PREMERA-Single |
| | 589 99 00 0000 | Payroll Benefits Cleari | 001 | 001 | General Expense Fund | | | 12.24 | COLLAMORE, ROBERT S - PREMERA-Single |
| | 522 10 20 0040 | Admin Staff- HRA, HI, | 001 | 001 | General Expense Fund | | | 1,515.56 | COOPER, SCOTT N - PREMERA-Single |
| | 589 99 00 0000 | Payroll Benefits Cleari | 001 | 001 | General Expense Fund | | | 12.24 | COOPER, SCOTT N - PREMERA-Single |
| | 522 71 20 0040 | Firefighter/Paramedic | 001 | 001 | General Expense Fund | | | 1,515.56 | JENSON, ZACKARY T - PREMERA-Single |
| | 589 99 00 0000 | Payroll Benefits Cleari | 001 | 001 | General Expense Fund | | | 12.24 | JENSON, ZACKARY T - PREMERA-Single |
| | 522 20 20 0040 | Firefighter/EMT- HRA | 001 | 001 | General Expense Fund | | | 1,515.56 | JONES, RYAN E - PREMERA-Single |
| | 589 99 00 0000 | Payroll Benefits Cleari | 001 | 001 | General Expense Fund | | | 12.24 | JONES, RYAN E - PREMERA-Single |
| | 522 72 20 0040 | MIHP HRA, HI, DC, Di | 001 | 001 | General Expense Fund | | | 1,515.56 | MEYERS, AARON M - PREMERA-Single |
| | 589 99 00 0000 | Payroll Benefits Cleari | 001 | 001 | General Expense Fund | | | 12.24 | MEYERS, AARON M - PREMERA-Single |
| | 522 10 20 0040 | Admin Staff- HRA, HI, | 001 | 001 | General Expense Fund | | | 1,515.56 | MUSGRAVE, KATIE M - PREMERA-Single |
| | 589 99 00 0000 | Payroll Benefits Cleari | 001 | 001 | General Expense Fund | | | 12.24 | MUSGRAVE, KATIE M - PREMERA-Single |
| | 522 20 20 0040 | Firefighter/EMT- HRA | 001 | 001 | General Expense Fund | | | 1,515.56 | NORTH, CADEN T.S. - PREMERA-Single |
| | 589 99 00 0000 | Payroll Benefits Cleari | 001 | 001 | General Expense Fund | | | 12.24 | NORTH, CADEN T.S. - PREMERA-Single |
| | 522 20 20 0040 | Firefighter/EMT- HRA | 001 | 001 | General Expense Fund | | | 1,515.56 | PALMER, TUESDAY A - PREMERA-Single |
| | 589 99 00 0000 | Payroll Benefits Cleari | 001 | 001 | General Expense Fund | | | 12.24 | PALMER, TUESDAY A - PREMERA-Single |
| | 522 72 20 0040 | MIHP HRA, HI, DC, Di | 001 | 001 | General Expense Fund | | | 1,515.56 | SHORT, DONNA L - PREMERA-Single |
| | 589 99 00 0000 | Payroll Benefits Cleari | 001 | 001 | General Expense Fund | | | 12.24 | SHORT, DONNA L - PREMERA-Single |
| | 522 10 20 0040 | Admin Staff- HRA, HI, | 001 | 001 | General Expense Fund | | | 1,515.56 | STONE, PATRICIA L - PREMERA-Single |

TRANSACTION JOURNAL

North Mason Regional Fire Authority

Time: 10:01:31 Date: 04/10/2026

04/14/2026 To: 04/30/2026

Page: 15

| Trans | Date | Redeemed | Acct # | Chk # | Type | Receipt # InterFund # | Vendor | Amount | Memo |
|------------|-------------------|-------------------------|----------|-------|----------------------|--------------------------|---------------------------------------|-----------------|--|
| | 589 99 00 0000 | Payroll Benefits Cleari | 001 | 001 | General Expense Fund | | | 12.24 | STONE, PATRICIA L - PREMIERA-Single |
| | 522 20 20 0040 | Firefighter/EMT- HRA | 001 | 001 | General Expense Fund | | | 299.90 | ARNOLD, DONOVAN P - DVL |
| | 522 10 20 0040 | Admin Staff- HRA, HI, | 001 | 001 | General Expense Fund | | | 299.90 | BAKKEN, BEAU A - DVL |
| | 522 72 20 0040 | MIHP HRA, HI, DC, Di | 001 | 001 | General Expense Fund | | | 303.42 | BISHOP, MELINDA S - DVL |
| | 522 20 20 0040 | Firefighter/EMT- HRA | 001 | 001 | General Expense Fund | | | 299.90 | BORCHERDING, CHYNNA C - DVL |
| | 522 72 20 0040 | MIHP HRA, HI, DC, Di | 001 | 001 | General Expense Fund | | | 303.42 | BROWN, BETH - DVL |
| | 522 20 20 0040 | Firefighter/EMT- HRA | 001 | 001 | General Expense Fund | | | 299.90 | BRYANT, CARL D - DVL |
| | 522 71 20 0040 | Firefighter/Paramedic | 001 | 001 | General Expense Fund | | | 303.42 | CLEVELAND, RYAN W - DVL |
| | 522 71 20 0040 | Firefighter/Paramedic | 001 | 001 | General Expense Fund | | | 299.90 | CLOUD, RYAN D - DVL |
| | 522 71 20 0040 | Firefighter/Paramedic | 001 | 001 | General Expense Fund | | | 299.90 | COLLAMORE, ROBERT S - DVL |
| | 522 10 20 0040 | Admin Staff- HRA, HI, | 001 | 001 | General Expense Fund | | | 299.90 | COOPER, SCOTT N - DVL |
| | 522 71 20 0040 | Firefighter/Paramedic | 001 | 001 | General Expense Fund | | | 299.90 | COTTER, MICKEY J - DVL |
| | 522 20 20 0040 | Firefighter/EMT- HRA | 001 | 001 | General Expense Fund | | | 299.90 | EHRESMAN II, CARL E - DVL |
| | 522 20 20 0040 | Firefighter/EMT- HRA | 001 | 001 | General Expense Fund | | | 299.90 | GARDNER, DONALD A - DVL |
| | 522 71 20 0040 | Firefighter/Paramedic | 001 | 001 | General Expense Fund | | | 299.90 | HENRY, TAVIA D - DVL |
| | 522 71 20 0040 | Firefighter/Paramedic | 001 | 001 | General Expense Fund | | | 299.90 | JENSON, ZACKARY T - DVL |
| | 522 20 20 0040 | Firefighter/EMT- HRA | 001 | 001 | General Expense Fund | | | 299.90 | JOHNSON, ANDREW - DVL |
| | 522 20 20 0040 | Firefighter/EMT- HRA | 001 | 001 | General Expense Fund | | | 299.90 | JONES, RYAN E - DVL |
| | 522 20 20 0040 | Firefighter/EMT- HRA | 001 | 001 | General Expense Fund | | | 299.90 | KLAHR, DERIC J - DVL |
| | 522 20 20 0040 | Firefighter/EMT- HRA | 001 | 001 | General Expense Fund | | | 303.42 | LECHNER, ELLI N - DVL |
| | 522 10 20 0040 | Admin Staff- HRA, HI, | 001 | 001 | General Expense Fund | | | 303.42 | MCCORMICK, ANGIE M - DVL |
| | 522 72 20 0040 | MIHP HRA, HI, DC, Di | 001 | 001 | General Expense Fund | | | 299.90 | MEYERS, AARON M - DVL |
| | 522 10 20 0040 | Admin Staff- HRA, HI, | 001 | 001 | General Expense Fund | | | 299.90 | MUSGRAVE, KATIE M - DVL |
| | 522 20 20 0040 | Firefighter/EMT- HRA | 001 | 001 | General Expense Fund | | | 299.90 | NORTH, CADEN T.S. - DVL |
| | 522 20 20 0040 | Firefighter/EMT- HRA | 001 | 001 | General Expense Fund | | | 299.90 | PALMER, TUESDAY A - DVL |
| | 522 20 20 0040 | Firefighter/EMT- HRA | 001 | 001 | General Expense Fund | | | 299.90 | PELLOW, RIDGE H - DVL |
| | 522 71 20 0040 | Firefighter/Paramedic | 001 | 001 | General Expense Fund | | | 299.90 | QUIROZ JR., VICTOR - DVL |
| | 522 20 20 0040 | Firefighter/EMT- HRA | 001 | 001 | General Expense Fund | | | 303.42 | RHEAD, ANTHONY - DVL |
| | 522 71 20 0040 | Firefighter/Paramedic | 001 | 001 | General Expense Fund | | | 299.90 | SEVERANCE, KYLE C - DVL |
| | 522 72 20 0040 | MIHP HRA, HI, DC, Di | 001 | 001 | General Expense Fund | | | 299.90 | SHORT, DONNA L - DVL |
| | 522 10 20 0040 | Admin Staff- HRA, HI, | 001 | 001 | General Expense Fund | | | 295.94 | STONE, PATRICIA L - DVL |
| | 522 20 20 0040 | Firefighter/EMT- HRA | 001 | 001 | General Expense Fund | | | 299.90 | SUMMERLIN, ANTONIO - DVL |
| | 522 20 20 0040 | Firefighter/EMT- HRA | 001 | 001 | General Expense Fund | | | 299.90 | TAYLOR, CONNOR M - DVL |
| | 522 71 20 0040 | Firefighter/Paramedic | 001 | 001 | General Expense Fund | | | 299.90 | TORVIK, DAVID A - DVL |
| | 522 71 20 0040 | Firefighter/Paramedic | 001 | 001 | General Expense Fund | | | 299.90 | WILSON, TRAVIS R - DVL |
| | 522 20 20 0040 | Firefighter/EMT- HRA | 001 | 001 | General Expense Fund | | | 299.90 | YATES, JEFF J - DVL |
| 503 | 04/30/2026 | | 1 | | Payroll | | WA PUB EMP RETIREMENT SYS-PERS | 6,870.83 | Pay Cycle(s) 04/30/2026 To 04/30/2026 - PERS2 |
| | 522 72 20 0030 | MIHP WA State Retire | 001 | 001 | General Expense Fund | | | 775.20 | BISHOP, MELINDA S - PERS2 |
| | 589 99 00 0000 | Payroll Benefits Cleari | 001 | 001 | General Expense Fund | | | 747.42 | BISHOP, MELINDA S - PERS2 |

TRANSACTION JOURNAL

North Mason Regional Fire Authority

Time: 10:01:31 Date: 04/10/2026

04/14/2026 To: 04/30/2026

Page: 16

| Trans | Date | Redeemed | Acct # | Chk # | Type | Receipt # InterFund # | Vendor | Amount | Memo |
|------------|-------------------|-------------------------|----------|-------|----------------------|--------------------------|---|------------------|--|
| | 522 72 20 0030 | MIHP WA State Retire | 001 | 001 | General Expense Fund | | | 575.31 | BROWN, BETH - PERS2 |
| | 589 99 00 0000 | Payroll Benefits Cleari | 001 | 001 | General Expense Fund | | | 554.69 | BROWN, BETH - PERS2 |
| | 522 10 20 0030 | Admin Staff- WA Stat | 001 | 001 | General Expense Fund | | | 578.70 | MCCORMICK, ANGIE M - PERS2 |
| | 589 99 00 0000 | Payroll Benefits Cleari | 001 | 001 | General Expense Fund | | | 557.96 | MCCORMICK, ANGIE M - PERS2 |
| | 522 72 20 0030 | MIHP WA State Retire | 001 | 001 | General Expense Fund | | | 251.10 | MEYERS, AARON M - PERS2 |
| | 589 99 00 0000 | Payroll Benefits Cleari | 001 | 001 | General Expense Fund | | | 242.10 | MEYERS, AARON M - PERS2 |
| | 522 10 20 0030 | Admin Staff- WA Stat | 001 | 001 | General Expense Fund | | | 545.50 | MUSGRAVE, KATIE M - PERS2 |
| | 589 99 00 0000 | Payroll Benefits Cleari | 001 | 001 | General Expense Fund | | | 525.95 | MUSGRAVE, KATIE M - PERS2 |
| | 522 72 20 0030 | MIHP WA State Retire | 001 | 001 | General Expense Fund | | | 435.24 | SHORT, DONNA L - PERS2 |
| | 589 99 00 0000 | Payroll Benefits Cleari | 001 | 001 | General Expense Fund | | | 419.64 | SHORT, DONNA L - PERS2 |
| | 522 10 20 0030 | Admin Staff- WA Stat | 001 | 001 | General Expense Fund | | | 337.05 | STONE, PATRICIA L - PERS2 |
| | 589 99 00 0000 | Payroll Benefits Cleari | 001 | 001 | General Expense Fund | | | 324.97 | STONE, PATRICIA L - PERS2 |
| 504 | 04/30/2026 | | 1 | | Payroll | | WA STATE SUPPORT REGISTRY | 1,793.00 | Pay Cycle(s) 04/30/2026 To 04/30/2026 - Child Support |
| | 589 99 00 0000 | Payroll Benefits Cleari | 001 | 001 | General Expense Fund | | | 1,643.00 | COTTER, MICKEY J - Child Support |
| | 589 99 00 0000 | Payroll Benefits Cleari | 001 | 001 | General Expense Fund | | | 150.00 | MEYERS, AARON M - Child Support |
| 505 | 04/14/2026 | | 1 | | Claims | | 3H HOME SERVICES | 255.21 | |
| | 522 50 41 0200 | Building Maintenance | 001 | 001 | General Expense Fund | | | 92.31 | |
| | 522 50 41 0200 | Building Maintenance | 001 | 001 | General Expense Fund | | | 162.90 | |
| 506 | 04/14/2026 | | 1 | | Claims | | AIRGAS USA, LLC | 2,774.68 | |
| | 522 72 31 1000 | EMS Supplies: OOS | 001 | 001 | General Expense Fund | | | 1,318.71 | |
| | 522 72 31 1000 | EMS Supplies: OOS | 001 | 001 | General Expense Fund | | | 391.19 | |
| | 522 72 31 1000 | EMS Supplies: OOS | 001 | 001 | General Expense Fund | | | 387.28 | |
| | 522 72 31 1000 | EMS Supplies: OOS | 001 | 001 | General Expense Fund | | | 677.50 | |
| 507 | 04/14/2026 | | 1 | | Claims | | ALDERBROOK RESORT & SPA | 12,046.37 | |
| | 522 10 31 0002 | Department Dinner: C | 001 | 001 | General Expense Fund | | | 1,200.00 | |
| | 522 10 41 0002 | Department Dinner: F | 001 | 001 | General Expense Fund | | | 9,846.37 | |
| | 522 10 31 4000 | Awards & Recognitio | 001 | 001 | General Expense Fund | | | 1,000.00 | |
| 508 | 04/14/2026 | | 1 | | Claims | | AT&T MOBILITY | 1,115.54 | |
| | 522 10 42 5000 | Cell Phones | 001 | 001 | General Expense Fund | | | 1,115.54 | |
| 509 | 04/14/2026 | | 1 | | Claims | | BEAU A BAKKEN | 173.65 | Zoom |
| | 522 10 49 1000 | Memberships and Sul | 001 | 001 | General Expense Fund | | | 173.65 | |
| 510 | 04/14/2026 | | 1 | | Claims | | BARRETT, FRED | 1,166.74 | |
| | 522 20 20 2000 | Retirement Medical C | 001 | 001 | General Expense Fund | | | 144.60 | |
| | 522 20 20 2000 | Retirement Medical C | 001 | 001 | General Expense Fund | | | 1,022.14 | |
| 511 | 04/14/2026 | | 1 | | Claims | | BLUE CROSS BLUE SHIELD OF MONTAN | 486.62 | May Premium |
| | 522 20 20 2000 | Retirement Medical C | 001 | 001 | General Expense Fund | | | 486.62 | |
| 512 | 04/14/2026 | | 1 | | Claims | | BOUND TREE MEDICAL, LLC | 638.62 | |

TRANSACTION JOURNAL

North Mason Regional Fire Authority

Time: 10:01:31 Date: 04/10/2026

04/14/2026 To: 04/30/2026

Page: 17

| Trans | Date | Redeemed | Acct # | Chk # | Type | Receipt # InterFund # | Vendor | Amount | Memo |
|------------|-------------------|---------------------------------------|----------|-------|----------------------|--------------------------|---|-----------------|--------------------------|
| | | 522 72 31 1000 EMS Supplies: OOS | | 001 | General Expense Fund | | | 638.62 | |
| 513 | 04/14/2026 | | 1 | | Claims | | CASCADE NATURAL GAS | 1,562.69 | |
| | | 522 10 47 7000 Station 21 New Head | | 001 | General Expense Fund | | | 1,562.69 | |
| 514 | 04/14/2026 | | 1 | | Claims | | CBS REPORTING INC. | 98.83 | |
| | | 522 10 49 2000 Miscellaneous: PS | | 001 | General Expense Fund | | | 98.83 | |
| 515 | 04/14/2026 | | 1 | | Claims | | CENTURY LINK | 254.07 | |
| | | 522 10 42 2000 Station 27 Telephone | | 001 | General Expense Fund | | | 123.53 | |
| | | 522 10 42 2000 Station 27 Telephone | | 001 | General Expense Fund | | | 130.54 | |
| | | 522 10 42 3000 Station 24 Telephone | | 001 | General Expense Fund | | | | |
| 516 | 04/14/2026 | | 1 | | Claims | | CINTAS CORP | 796.80 | |
| | | 522 20 20 4000 Class B Uniforms: PB | | 001 | General Expense Fund | | | 199.64 | |
| | | 522 20 20 4000 Class B Uniforms: PB | | 001 | General Expense Fund | | | 199.64 | |
| | | 522 20 20 4000 Class B Uniforms: PB | | 001 | General Expense Fund | | | 202.50 | |
| | | 522 20 20 4000 Class B Uniforms: PB | | 001 | General Expense Fund | | | 195.02 | |
| 517 | 04/14/2026 | | 1 | | Claims | | CLAREMONT LINCOLN UNIV | 1,650.00 | Tavia Henry #4908 |
| | | 522 45 41 0004 Career Staff Educatior | | 001 | General Expense Fund | | | 1,650.00 | |
| 518 | 04/14/2026 | | 1 | | Claims | | CONNECTION | 249.78 | |
| | | 522 10 31 2000 Computer Software: C | | 001 | General Expense Fund | | | 249.78 | |
| 519 | 04/14/2026 | | 1 | | Claims | | COPIERS NORTHWEST, INC. | 260.18 | |
| | | 522 10 45 1000 Miscellaneous Expens | | 001 | General Expense Fund | | | 260.18 | |
| 520 | 04/14/2026 | | 1 | | Claims | | COPY THAT REPROGRAPHICS | 1,998.24 | |
| | | 522 20 31 2000 Miscellaneous Uniforr | | 001 | General Expense Fund | | | 1,563.84 | |
| | | 522 20 31 2000 Miscellaneous Uniforr | | 001 | General Expense Fund | | | 434.40 | |
| 521 | 04/14/2026 | | 1 | | Claims | | DELL MARKETING L.P. | 2,648.45 | |
| | | 522 10 31 6000 Computer Hardware: | | 001 | General Expense Fund | | | 2,648.45 | |
| 522 | 04/14/2026 | | 1 | | Claims | | DEPT OF L & I - BOILER SECTION | 270.40 | |
| | | 522 50 41 0200 Building Maintenance | | 001 | General Expense Fund | | | 270.40 | |
| 523 | 04/14/2026 | | 1 | | Claims | | DEPT OF NATURAL RESOURCES | 3,446.13 | |
| | | 522 20 31 0006 Wildland Programs: C | | 001 | General Expense Fund | | | 3,446.13 | |
| 524 | 04/14/2026 | | 1 | | Claims | | KRISTI EILERS | 53.67 | |
| | | 522 60 31 0458 Vehicle Preventative M | | 001 | General Expense Fund | | | 53.67 | |
| 525 | 04/14/2026 | | 1 | | Claims | | GALLS, LLC | 1,130.94 | |
| | | 522 20 31 6001 Safety Committee Eq | | 001 | General Expense Fund | | | 814.49 | |
| | | 522 20 20 4000 Class B Uniforms: PB | | 001 | General Expense Fund | | | 104.04 | |
| | | 522 20 20 4000 Class B Uniforms: PB | | 001 | General Expense Fund | | | 108.37 | |
| | | 522 20 20 4000 Class B Uniforms: PB | | 001 | General Expense Fund | | | 104.04 | |
| 526 | 04/14/2026 | | 1 | | Claims | | GILMORES AUTOMOTIVE SERVICE | 7,379.29 | |

TRANSACTION JOURNAL

North Mason Regional Fire Authority

Time: 10:01:31 Date: 04/10/2026

04/14/2026 To: 04/30/2026

Page: 18

| Trans | Date | Redeemed | Acct # | Chk # | Type | Receipt # InterFund # | Vendor | Amount | Memo |
|------------|-------------------|----------------|-------------------------|-------|----------------------|--------------------------|----------------------------------|------------------|---|
| | | 522 60 31 0144 | Vehicle Repairs: OOS | 001 | General Expense Fund | | | 256.27 | |
| | | 522 60 31 0147 | Vehicle Repairs-S MIH | 001 | General Expense Fund | | | 7,123.02 | |
| 527 | 04/14/2026 | | 1 | | Claims | | TAVIA D HENRY | 117.67 | Textbooks |
| | | 522 45 31 0004 | Career Staff Educator | 001 | General Expense Fund | | | 117.67 | |
| 528 | 04/14/2026 | | 1 | | Claims | | HOOD CANAL COMMUNICATIONS | 981.36 | |
| | | 522 10 42 1000 | Station 21 Telephone | 001 | General Expense Fund | | | 733.58 | |
| | | 522 10 42 2000 | Station 27 Telephone | 001 | General Expense Fund | | | 247.78 | |
| 529 | 04/14/2026 | | 1 | | Claims | | HOPE SPRINGS CARE, P.S. | 12,760.00 | |
| | | 522 10 49 8000 | Psych Nurse Mental H | 001 | General Expense Fund | | | 12,760.00 | |
| 530 | 04/14/2026 | | 1 | | Claims | | HRA VEBA TRUST | 15,872.57 | YA148 |
| | | 522 10 20 0040 | Admin Staff- HRA, HI, | 001 | General Expense Fund | | | 1,762.48 | |
| | | 522 20 20 0040 | Firefighter/EMT- HRA | 001 | General Expense Fund | | | 8,517.84 | |
| | | 522 71 20 0040 | Firefighter/Paramedic | 001 | General Expense Fund | | | 3,374.98 | |
| | | 522 72 20 0040 | MIHP HRA, HI, DC, Di | 001 | General Expense Fund | | | 2,217.27 | |
| 531 | 04/14/2026 | | 1 | | Claims | | HUTTER, CHRISTY | 1,250.00 | |
| | | 522 10 41 1000 | IT Support Service: PS | 001 | General Expense Fund | | | 1,250.00 | |
| 532 | 04/14/2026 | | 1 | | Claims | | ZACKARY T JENSON | 32.00 | PM Recert |
| | | 522 10 49 2000 | Miscellaneous: PS | 001 | General Expense Fund | | | 32.00 | |
| 533 | 04/14/2026 | | 1 | | Claims | | KITSAP BANK - VISA | 4,816.24 | Safeway; Amazon; Amazon; MC Public Work; Credentialing; Amazon; Redback; GoodtoGo; Amazon; Amazon; Canva; Amazon; Amazon Refund; Got Print; Amazon; Got Print; Amazon; Amazon; Meta/Facebook |
| | | 522 10 31 0514 | Station Supplies: OOS | 001 | General Expense Fund | | | 53.13 | |
| | | 522 45 49 0001 | Miscellaneous: (Fire Ti | 001 | General Expense Fund | | | 394.55 | |
| | | 522 50 48 0300 | Buildings Maintenanc | 001 | General Expense Fund | | | 54.82 | |
| | | 522 10 31 3000 | Miscellaneous Expens | 001 | General Expense Fund | | | 219.99 | |
| | | 522 10 49 7000 | Professional Services- | 001 | General Expense Fund | | | 102.50 | |
| | | 522 30 41 2001 | Community Outreach | 001 | General Expense Fund | | | 1,481.60 | |
| | | 522 20 31 2000 | Miscellaneous Uniforr | 001 | General Expense Fund | | | 195.00 | |
| | | 522 60 31 0144 | Vehicle Repairs: OOS | 001 | General Expense Fund | | | 6.50 | |
| | | 522 20 31 5000 | Miscellaneous PPE Pu | 001 | General Expense Fund | | | 158.31 | |
| | | 522 10 31 1000 | Computer Hardware: | 001 | General Expense Fund | | | 21.69 | |
| | | 522 10 31 2000 | Computer Software: C | 001 | General Expense Fund | | | 119.99 | |
| | | 522 20 35 0090 | Miscellaneous Items | 001 | General Expense Fund | | | 16.76 | |
| | | 522 50 31 0100 | Building Maintenance | 001 | General Expense Fund | | | -20.07 | |
| | | 522 30 41 2001 | Community Outreach | 001 | General Expense Fund | | | 127.01 | |
| | | 522 30 41 2001 | Community Outreach | 001 | General Expense Fund | | | 1,633.25 | |
| | | 522 10 49 7000 | Professional Services- | 001 | General Expense Fund | | | 28.91 | |

TRANSACTION JOURNAL

North Mason Regional Fire Authority

Time: 10:01:31 Date: 04/10/2026

04/14/2026 To: 04/30/2026

Page: 19

| Trans | Date | Redeemed | Acct # | Chk # | Type | Receipt # InterFund # | Vendor | Amount | Memo |
|------------|-------------------|-------------------------------|----------|-------|----------------------|--------------------------|---|------------------|---------------------|
| | 522 10 31 | 0300 Office Supplies: South | | 001 | General Expense Fund | | | 15.15 | |
| | 522 10 31 | 6000 Computer Hardware: | | 001 | General Expense Fund | | | 22.56 | |
| | 522 10 49 | 7000 Professional Services- | | 001 | General Expense Fund | | | 184.59 | |
| 534 | 04/14/2026 | | 1 | | Claims | | L.N. CURTIS & SONS, INC | 1,982.28 | |
| | 522 20 35 | 0030 Appliances and Nozzl | | 001 | General Expense Fund | | | 623.01 | |
| | 522 20 31 | 2000 Miscellaneous Uniforr | | 001 | General Expense Fund | | | 354.52 | |
| | 522 20 31 | 2000 Miscellaneous Uniforr | | 001 | General Expense Fund | | | 502.76 | |
| | 522 20 31 | 2000 Miscellaneous Uniforr | | 001 | General Expense Fund | | | -415.35 | |
| | 522 20 35 | 0040 Extrication Equipment | | 001 | General Expense Fund | | | 917.34 | |
| 535 | 04/14/2026 | | 1 | | Claims | | LANGUAGE LINE SERVICES | 12.54 | |
| | 522 10 49 | 2000 Miscellaneous: PS | | 001 | General Expense Fund | | | 12.54 | |
| 536 | 04/14/2026 | | 1 | | Claims | | LEMAY MOBILE SHREDDING | 113.32 | |
| | 522 10 47 | 1000 Station 21 & 21-2 Util | | 001 | General Expense Fund | | | 113.32 | |
| 537 | 04/14/2026 | | 1 | | Claims | | MACECOM | 13,602.16 | |
| | 522 10 49 | 2000 Miscellaneous: PS | | 001 | General Expense Fund | | | 13,602.16 | |
| 538 | 04/14/2026 | | 1 | | Claims | | MAGGIE LAKE WATER DISTRICT | 45.00 | |
| | 522 10 47 | 9000 Station 82 Utilities (Pc | | 001 | General Expense Fund | | | 45.00 | |
| 539 | 04/14/2026 | | 1 | | Claims | | MASON CO FIRE COMMISSIONERS ASS | 50.00 | Inch, Kewish |
| | 522 45 41 | 2000 Commissioner Trainin | | 001 | General Expense Fund | | | 25.00 | |
| | 522 45 41 | 2000 Commissioner Trainin | | 001 | General Expense Fund | | | 25.00 | |
| 540 | 04/14/2026 | | 1 | | Claims | | MASON COUNTY FIRE CHIEFS ASSOCIA | 50.00 | |
| | 522 10 49 | 1000 Memberships and Sul | | 001 | General Expense Fund | | | 50.00 | |
| 541 | 04/14/2026 | | 1 | | Claims | | MASON COUNTY GARBAGE, INC. | 526.44 | |
| | 522 10 47 | 1000 Station 21 & 21-2 Util | | 001 | General Expense Fund | | | 189.16 | |
| | 522 10 47 | 1000 Station 21 & 21-2 Util | | 001 | General Expense Fund | | | 138.78 | |
| | 522 10 47 | 6000 Station 27 Utilities (Pc | | 001 | General Expense Fund | | | 27.57 | |
| | 522 10 47 | 6000 Station 27 Utilities (Pc | | 001 | General Expense Fund | | | 65.06 | |
| | 522 10 47 | 8000 Station 81 Utilities (Pc | | 001 | General Expense Fund | | | 38.55 | |
| | 522 10 47 | 3001 Station 23 - Crew Qtr: | | 001 | General Expense Fund | | | 22.05 | |
| | 522 10 47 | 3001 Station 23 - Crew Qtr: | | 001 | General Expense Fund | | | 45.27 | |
| 542 | 04/14/2026 | | 1 | | Claims | | MCKESSON MEDICAL - SURGICAL | 705.36 | |
| | 522 72 31 | 4000 EMS Supplies/Medica | | 001 | General Expense Fund | | | 3.07 | |
| | 522 72 35 | 5000 EMS Supplies/Medica | | 001 | General Expense Fund | | | 3.08 | |
| | 522 72 31 | 4000 EMS Supplies/Medica | | 001 | General Expense Fund | | | 57.56 | |
| | 522 72 31 | 4000 EMS Supplies/Medica | | 001 | General Expense Fund | | | 2.20 | |
| | 522 72 35 | 5000 EMS Supplies/Medica | | 001 | General Expense Fund | | | 2.19 | |
| | 522 60 31 | 0458 Vehicle Preventative M | | 001 | General Expense Fund | | | 98.75 | |
| | 522 72 31 | 4000 EMS Supplies/Medica | | 001 | General Expense Fund | | | 16.31 | |
| | 522 72 35 | 5000 EMS Supplies/Medica | | 001 | General Expense Fund | | | 98.75 | |
| | 522 72 35 | 5000 EMS Supplies/Medica | | 001 | General Expense Fund | | | 16.31 | |

TRANSACTION JOURNAL

North Mason Regional Fire Authority

Time: 10:01:31 Date: 04/10/2026

04/14/2026 To: 04/30/2026

Page: 20

| Trans | Date | Redeemed | Acct # | Chk # | Type | Receipt # InterFund # | Vendor | Amount | Memo |
|------------|-------------------|-------------------------------|----------|-------|----------------------|--------------------------|---|-----------------|---------------------------------------|
| | 522 72 31 | 4000 EMS Supplies/Medica | 001 | 001 | General Expense Fund | | | 26.85 | |
| | 522 72 35 | 5000 EMS Supplies/Medica | 001 | 001 | General Expense Fund | | | 26.85 | |
| | 522 72 31 | 4000 EMS Supplies/Medica | 001 | 001 | General Expense Fund | | | 32.99 | |
| | 522 72 35 | 5000 EMS Supplies/Medica | 001 | 001 | General Expense Fund | | | 116.62 | |
| | 522 72 31 | 4000 EMS Supplies/Medica | 001 | 001 | General Expense Fund | | | 5.82 | |
| | 522 72 35 | 5000 EMS Supplies/Medica | 001 | 001 | General Expense Fund | | | 20.55 | |
| | 522 72 31 | 4000 EMS Supplies/Medica | 001 | 001 | General Expense Fund | | | 39.13 | |
| | 522 72 35 | 5000 EMS Supplies/Medica | 001 | 001 | General Expense Fund | | | 138.33 | |
| 543 | 04/14/2026 | | 1 | | Claims | | MEDICARE BLUE RX | 101.00 | Fred Barrett May Premium |
| | 522 20 20 | 2000 Retirement Medical C | 001 | 001 | General Expense Fund | | | 101.00 | |
| 544 | 04/14/2026 | | 1 | | Claims | | MES SERVICE CO, LLC | 1,106.10 | |
| | 522 20 31 | 5000 Miscellaneous PPE Pu | 001 | 001 | General Expense Fund | | | 537.58 | |
| | 522 20 31 | 5000 Miscellaneous PPE Pu | 001 | 001 | General Expense Fund | | | 17.25 | |
| | 522 20 31 | 5000 Miscellaneous PPE Pu | 001 | 001 | General Expense Fund | | | 537.58 | |
| | 522 20 31 | 5000 Miscellaneous PPE Pu | 001 | 001 | General Expense Fund | | | 13.69 | |
| 545 | 04/14/2026 | | 1 | | Claims | | KATIE M MUSGRAVE | 373.92 | Costco; US Chef Store / Costco |
| | 522 30 41 | 2001 Community Outreach | 001 | 001 | General Expense Fund | | | 119.64 | |
| | 522 30 41 | 2001 Community Outreach | 001 | 001 | General Expense Fund | | | 226.29 | |
| | 522 10 31 | 3000 Miscellaneous Expens | 001 | 001 | General Expense Fund | | | 27.99 | |
| 546 | 04/14/2026 | | 1 | | Claims | | NMRFA- REVOLVING FUND | 1,927.17 | Astound; Belfair Water; Athena |
| | 522 10 47 | 3001 Station 23 - Crew Qtr: | 001 | 001 | General Expense Fund | | | 222.47 | |
| | 522 10 47 | 7000 Station 21 New Head: | 001 | 001 | General Expense Fund | | | 294.45 | |
| | 522 10 49 | 7000 Professional Services- | 001 | 001 | General Expense Fund | | | 1,410.25 | |
| 547 | 04/14/2026 | | 1 | | Claims | | NORTH SHORE TOWING, INC. | 380.10 | |
| | 522 60 31 | 0145 Vehicle Repairs OOS - | 001 | 001 | General Expense Fund | | | 380.10 | |
| 548 | 04/14/2026 | | 1 | | Claims | | O'REILLY AUTO PARTS | 10.77 | |
| | 522 60 31 | 0144 Vehicle Repairs: OOS | 001 | 001 | General Expense Fund | | | 10.77 | |
| 549 | 04/14/2026 | | 1 | | Claims | | PINTEY BOWES GLOBAL FINANCIAL SV | 35.00 | |
| | 522 10 42 | 0001 Postage: OOS | 001 | 001 | General Expense Fund | | | 35.00 | |
| 550 | 04/14/2026 | | 1 | | Claims | | PLATT ELECTRIC SUPPLY | 331.53 | |
| | 522 50 31 | 0100 Building Maintenance | 001 | 001 | General Expense Fund | | | 331.53 | |
| 551 | 04/14/2026 | | 1 | | Claims | | ATTN: MSC 410837 PRS | 523.14 | |
| | 589 00 00 | 1000 Ambulance Refunds | 001 | 001 | General Expense Fund | | | 523.14 | |
| 552 | 04/14/2026 | | 1 | | Claims | | PUD #1 | 67.93 | |
| | 522 10 47 | 4000 Station 24 Utilities (Pc | 001 | 001 | General Expense Fund | | | 67.93 | |
| 553 | 04/14/2026 | | 1 | | Claims | | PUD #3 | 4,116.02 | |
| | 522 10 47 | 5000 Station 25 Utilities (Pc | 001 | 001 | General Expense Fund | | | 74.89 | |
| | 522 10 47 | 6000 Station 27 Utilities (Pc | 001 | 001 | General Expense Fund | | | 419.95 | |

TRANSACTION JOURNAL

North Mason Regional Fire Authority

Time: 10:01:31 Date: 04/10/2026

04/14/2026 To: 04/30/2026

Page: 21

| Trans | Date | Redeemed | Acct # | Chk # | Type | Receipt # InterFund # | Vendor | Amount | Memo |
|------------|-------------------|-----------------------------|---------------|-------|----------------------|--------------------------|--|-----------------|---------------------|
| | 522 10 47 | 1100 Station 83 | Utilities (Pc | 001 | General Expense Fund | | | 159.35 | |
| | 522 10 47 | 8000 Station 81 | Utilities (Pc | 001 | General Expense Fund | | | 581.50 | |
| | 522 10 47 | 3001 Station 23 - Crew Qtr: | | 001 | General Expense Fund | | | 133.41 | |
| | 522 10 47 | 3000 Station 23 | Utilities (Pc | 001 | General Expense Fund | | | 321.80 | |
| | 522 10 47 | 2000 Station 22 | Utilities (Pc | 001 | General Expense Fund | | | 356.54 | |
| | 522 10 47 | 9000 Station 82 | Utilities (Pc | 001 | General Expense Fund | | | 283.13 | |
| | 522 10 47 | 7000 Station 21 | New Head | 001 | General Expense Fund | | | 1,544.14 | |
| | 522 10 47 | 1000 Station 21 & 21-2 | Util | 001 | General Expense Fund | | | 86.06 | |
| | 522 10 47 | 4000 Station 24 | Utilities (Pc | 001 | General Expense Fund | | | 155.25 | |
| 554 | 04/14/2026 | | 1 | | Claims | | QUILL CORPORATION - PREFERRED CU: | 638.97 | |
| | 522 10 31 | 0100 Office & Operating S | | 001 | General Expense Fund | | | 66.22 | |
| | 522 10 31 | 0100 Office & Operating S | | 001 | General Expense Fund | | | 32.49 | |
| | 522 10 31 | 0100 Office & Operating S | | 001 | General Expense Fund | | | 70.12 | |
| | 522 10 31 | 0514 Station Supplies: OOS | | 001 | General Expense Fund | | | 470.14 | |
| 555 | 04/14/2026 | | 1 | | Claims | | SAFEWAY | 366.88 | |
| | 522 10 31 | 0514 Station Supplies: OOS | | 001 | General Expense Fund | | | 183.44 | |
| | 522 10 31 | 0514 Station Supplies: OOS | | 001 | General Expense Fund | | | 183.44 | |
| 556 | 04/14/2026 | | 1 | | Claims | | SCOTT MCLENDONS HARDWARE | 182.34 | |
| | 522 20 35 | 0060 Hand Held Equipmen | | 001 | General Expense Fund | | | 77.07 | |
| | 522 20 48 | 0080 Repairs & Maintenanc | | 001 | General Expense Fund | | | 21.70 | |
| | 522 10 31 | 0514 Station Supplies: OOS | | 001 | General Expense Fund | | | 83.57 | |
| 557 | 04/14/2026 | | 1 | | Claims | | SNURE LAW OFFICE, PSC | 720.00 | |
| | 522 10 41 | 2000 Legal Services: PS | | 001 | General Expense Fund | | | 720.00 | |
| 558 | 04/14/2026 | | 1 | | Claims | | SOUTH BOUND MOTORSPORTS | 1,995.47 | 2013 Polaris |
| | 522 50 48 | 1000 ORV Repair and Main | | 001 | General Expense Fund | | | 1,995.47 | |
| 559 | 04/14/2026 | | 1 | | Claims | | SOUTH KITSAP FIRE AND RESCUE | 5,000.00 | |
| | 594 22 63 | 1000 Capital Expenditures | | 001 | General Expense Fund | | | 5,000.00 | |
| 560 | 04/14/2026 | | 1 | | Claims | | STERICYCLE INC | 130.10 | |
| | 522 72 31 | 1000 EMS Supplies: OOS | | 001 | General Expense Fund | | | 130.10 | |
| 561 | 04/14/2026 | | 1 | | Claims | | SYSTEMS DESIGN WEST, LLC | 2,159.53 | |
| | 522 77 41 | 0038 Ambulance Billing Fet | | 001 | General Expense Fund | | | 2,159.53 | |
| 562 | 04/14/2026 | | 1 | | Claims | | THE DOCTORS CLINIC | 212.00 | |
| | 522 71 41 | 3000 BVFF Physicals: PS | | 001 | General Expense Fund | | | 212.00 | |
| 563 | 04/14/2026 | | 1 | | Claims | | THE SHOPPER | 807.47 | |
| | 522 30 41 | 2000 Community Outreach | | 001 | General Expense Fund | | | 807.47 | |
| 564 | 04/14/2026 | | 1 | | Claims | | TRAILS END WATER DISTRICT | 118.06 | |
| | 522 10 47 | 3000 Station 23 | Utilities (Pc | 001 | General Expense Fund | | | 59.03 | |
| | 522 10 47 | 3001 Station 23 - Crew Qtr: | | 001 | General Expense Fund | | | 59.03 | |

TRANSACTION JOURNAL

North Mason Regional Fire Authority

Time: 10:01:31 Date: 04/10/2026

04/14/2026 To: 04/30/2026

Page: 22

| Trans | Date | Redeemed | Acct # | Chk # | Type | Receipt # InterFund # | Vendor | Amount | Memo |
|------------|-------------------|------------------------|----------|-------|----------------------|--------------------------|--|------------------|----------------------------|
| 565 | 04/14/2026 | | 1 | | Claims | | ULINE | 75.55 | |
| | 522 10 31 0514 | Station Supplies: OOS | 001 | 001 | General Expense Fund | | | 75.55 | |
| 566 | 04/14/2026 | | 1 | | Claims | | VFIS C/O M&T BANK | 10,497.00 | Correction |
| | 522 10 46 1000 | Authority General Lial | 001 | 001 | General Expense Fund | | | 972.00 | |
| | 522 10 46 1000 | Authority General Lial | 001 | 001 | General Expense Fund | | | 2,195.00 | Auto |
| | 522 10 46 1000 | Authority General Lial | 001 | 001 | General Expense Fund | | | 7,330.00 | |
| 567 | 04/14/2026 | | 1 | | Claims | | WA FIRE COMMISSIONERS ASSOC | 269.01 | |
| | 522 45 41 2000 | Commissioner Trainin | 001 | 001 | General Expense Fund | | | 269.01 | |
| 568 | 04/14/2026 | | 1 | | Claims | | WA STATE PATROL BUDGET & FISCAL | 1,300.00 | Borcherding, Taylor |
| | 522 45 41 0001 | Fire (Training): PS | 001 | 001 | General Expense Fund | | | 1,300.00 | |
| 569 | 04/14/2026 | | 1 | | Claims | | WESTBAY AUTO PARTS INC | 224.32 | |
| | 522 60 35 0384 | Small Tools and Mino | 001 | 001 | General Expense Fund | | | 2.09 | |
| | 522 60 35 0384 | Small Tools and Mino | 001 | 001 | General Expense Fund | | | 88.24 | |
| | 522 60 35 0384 | Small Tools and Mino | 001 | 001 | General Expense Fund | | | 5.34 | |
| | 522 10 31 0514 | Station Supplies: OOS | 001 | 001 | General Expense Fund | | | 28.31 | |
| | 522 10 31 0514 | Station Supplies: OOS | 001 | 001 | General Expense Fund | | | 95.50 | |
| | 522 60 35 0384 | Small Tools and Mino | 001 | 001 | General Expense Fund | | | 4.84 | |
| 570 | 04/14/2026 | | 1 | | Claims | | WILCOX & FLEGEL INC. | 7,986.28 | |
| | 522 20 32 0010 | Vehicle Fuel Consume | 001 | 001 | General Expense Fund | | | 4,196.30 | |
| | 522 20 32 0010 | Vehicle Fuel Consume | 001 | 001 | General Expense Fund | | | 3,789.98 | |
| 571 | 04/14/2026 | | 1 | | Claims | | ZOLL MEDICAL CORP. GPO | 1,255.96 | |
| | 522 72 31 1000 | EMS Supplies: OOS | 001 | 001 | General Expense Fund | | | 1,255.96 | |

Records Printed: 83

| | |
|---------------------------|------------|
| Adjustments: | 0.00 |
| Beginning Balance: | 0.00 |
| Revenues: | 241,582.56 |
| Warrant Expenditures: | 650,797.13 |
| Non Warrant Expenditures: | 0.00 |
| Interfund Transfers: | 0.00 |
| Redemptions: | 0.00 |
| Deposits: | 0.00 |
| Withdrawals: | 0.00 |
| Stop Payments: | 0.00 |

| Fund | Adjustments | Beg Bal | Revenues | War Exp | N War Exp | IT In | IT Out | Stop Pmts |
|--------------------------|-------------|---------|------------|------------|-----------|-------|--------|-----------|
| 001 General Expense Fund | 0.00 | 0.00 | 241,582.56 | 650,797.13 | 0.00 | 0.00 | 0.00 | 0.00 |
| | 0.00 | 0.00 | 241,582.56 | 650,797.13 | 0.00 | 0.00 | 0.00 | 0.00 |

VOUCHER APPROVALS

North Mason Regional Fire Authority

Time: 09:55:22 Date: 04/10/2026

04/30/2026 To: 04/30/2026

Page: 1

| Voucher | Claimant | Trans | Date | Type | Acct # | Amount | Memo | |
|-----------|-----------------------------------|-------|------------|---------|--------|------------|--|--------|
| 260401001 | C/O BPA IAFF MERP TRUST OFFICE | 490 | 04/30/2026 | Payroll | 1 | 3,500.00 | Pay Cycle(s) 04/30/2026 To 04/30/2026 - MERP | WSC050 |
| 260401002 | DCP - WA STATE DEFERRED COMP | 491 | 04/30/2026 | Payroll | 1 | 33,767.96 | Pay Cycle(s) 04/30/2026 To 04/30/2026 - DC-DCP; Pay Cycle(s) 04/30/2026 To 04/30/2026 - DC-DCP%; Pay Cycle(s) 04/30/2026 To 04/30/2026 - DC-HRAConv; Pay Cycle(s) 04/30/2026 To 04/30/2026 - DCP-ROTH; P | STA175 |
| 260401003 | DEPT OF LABOR & INDUSTRIES | 492 | 04/30/2026 | Payroll | 1 | 15,537.85 | 2ND Quarter L&I: 04/01/2026 - 04/30/2026 | DEP100 |
| 260401004 | DIMARTINO ASSOC | 493 | 04/30/2026 | Payroll | 1 | 1,315.25 | Pay Cycle(s) 04/30/2026 To 04/30/2026 - DISABILITY | DIM100 |
| 260401005 | EMPLOYMENT SEC DEPT-WA CARES | 494 | 04/30/2026 | Payroll | 1 | 588.03 | Pay Cycle(s) 04/30/2026 To 04/30/2026 - LTC-WA | |
| 260401006 | EMPLOYMENT SECURITY DEPT-PFML | 495 | 04/30/2026 | Payroll | 1 | 2,950.53 | Pay Cycle(s) 04/30/2026 To 04/30/2026 - PFML | EMP001 |
| 260401007 | IAFF LOCAL 3876 | 496 | 04/30/2026 | Payroll | 1 | 3,935.25 | Pay Cycle(s) 04/30/2026 To 04/30/2026 - DUES | IAF110 |
| 260401008 | LEOFF SYS - P/2 | 497 | 04/30/2026 | Payroll | 1 | 41,768.55 | Pay Cycle(s) 04/30/2026 To 04/30/2026 - LEOFF2 | LEF150 |
| 260401009 | NATIONWIDE RETIREMENT | 498 | 04/30/2026 | Payroll | 1 | 1,774.00 | Pay Cycle(s) 04/30/2026 To 04/30/2026 - DC-NATION | NAC101 |
| 260401010 | NMRFA - FOOD FUND | 499 | 04/30/2026 | Payroll | 1 | 205.00 | Pay Cycle(s) 04/30/2026 To 04/30/2026 - FOOD | NMR100 |
| 260401011 | NMRFA PAYEE ACCOUNT | 500 | 04/30/2026 | Payroll | 1 | 241,582.56 | Payroll Direct Deposit | COL002 |
| 260401012 | PAYROLL TAXES MASON CTY TREASURER | 501 | 04/30/2026 | Payroll | 1 | 57,972.72 | 941 Deposit for Pay Cycle(s) 04/30/2026 - 04/30/2026 | COL001 |

VOUCHER APPROVALS

North Mason Regional Fire Authority

Time: 09:55:22 Date: 04/10/2026

04/30/2026 To: 04/30/2026

Page: 2

| Voucher Claimant | Trans | Date | Type | Acct # | Amount | Memo | County ID |
|---|-------|------------|---------|--------|------------|--|-----------|
| 260401013 VIMLY BENEFIT SOLUTIONS, INC | 502 | 04/30/2026 | Payroll | 1 | 100,950.14 | Pay Cycle(s) 04/30/2026 To 04/30/2026 - PREMERA-EE (E/Child); Pay Cycle(s) 04/30/2026 To 04/30/2026 - PREMERA-Family; Pay Cycle(s) 04/30/2026 To 04/30/2026 - PREMERA-Married; Pay Cycle(s) 04/30/2026 T | WAS016 |
| 260401014 WA PUB EMP RETIREMENT SYS-PERS | 503 | 04/30/2026 | Payroll | 1 | 6,870.83 | Pay Cycle(s) 04/30/2026 To 04/30/2026 - PERS2 | WAS900 |
| 260401015 WA STATE SUPPORT REGISTRY | 504 | 04/30/2026 | Payroll | 1 | 1,793.00 | Pay Cycle(s) 04/30/2026 To 04/30/2026 - Child Support | |
| 260401016 BERRY SHAWN M | 438 | 04/30/2026 | Payroll | 1 | 110.82 | Paydate 4/30/26 | |
| 260401017 ESTRADA DANIEL | 449 | 04/30/2026 | Payroll | 1 | 456.75 | Paydate 4/30/26 | |
| 260401018 HENRY NICHOLAS R | 451 | 04/30/2026 | Payroll | 1 | 456.75 | Paydate 4/30/26 | |
| 260401019 IMLAY SHYANN R | 453 | 04/30/2026 | Payroll | 1 | 184.70 | Paydate 4/30/26 | |
| 260401020 KEWISH DANIEL K | 458 | 04/30/2026 | Payroll | 1 | 292.69 | Paydate 4/30/26 | KEW200 |
| 260401021 NESS JONAH A | 466 | 04/30/2026 | Payroll | 1 | 327.46 | Paydate 4/30/26 | NES001 |
| 260401022 RAHL GAVIN P | 471 | 04/30/2026 | Payroll | 1 | 179.70 | Paydate 4/30/26 | |
| 260401023 REMBOLDT ALEX J | 472 | 04/30/2026 | Payroll | 1 | 179.70 | Paydate 4/30/26 | |
| 260401024 ROSS NEERGAARD GABRIEL K | 474 | 04/30/2026 | Payroll | 1 | 179.70 | Paydate 4/30/26 | |
| 260401025 SAMMONS MICHAEL J | 475 | 04/30/2026 | Payroll | 1 | 554.10 | Paydate 4/30/26 | SAM025 |
| 260401026 STROMBACH MASON A | 480 | 04/30/2026 | Payroll | 1 | 456.75 | Paydate 4/30/26 | |
| 260401027 TAURMAN LEVI D | 482 | 04/30/2026 | Payroll | 1 | 179.70 | Paydate 4/30/26 | |
| 260401028 TORRES JR CHRISTION D | 484 | 04/30/2026 | Payroll | 1 | 461.75 | Paydate 4/30/26 | |
| 260401029 VIERGUTZ JANSEN W | 486 | 04/30/2026 | Payroll | 1 | 179.70 | Paydate 4/30/26 | |
| 260401030 3H HOME SERVICES | 505 | 04/14/2026 | Claims | 1 | 255.21 | | |
| 260401031 AIRGAS USA, LLC | 506 | 04/14/2026 | Claims | 1 | 2,774.68 | | AIR200 |
| 260401032 ALDERBROOK RESORT & SPA | 507 | 04/14/2026 | Claims | 1 | 12,046.37 | | ALD200 |
| 260401033 AT&T MOBILITY | 508 | 04/14/2026 | Claims | 1 | 1,115.54 | | |
| 260401034 BAKKEN BEAU A | 509 | 04/14/2026 | Claims | 1 | 173.65 | Zoom | BAK210 |
| 260401035 BARRETT, FRED | 510 | 04/14/2026 | Claims | 1 | 1,166.74 | | BAR165 |
| 260401036 BLUE CROSS BLUE SHIELD OF MONTANA | 511 | 04/14/2026 | Claims | 1 | 486.62 | May Premium | BLU020 |
| 260401037 BOUND TREE MEDICAL, LLC | 512 | 04/14/2026 | Claims | 1 | 638.62 | | BOU100 |
| 260401038 CASCADE NATURAL GAS | 513 | 04/14/2026 | Claims | 1 | 1,562.69 | | CAS100 |
| 260401039 CBS REPORTING INC. | 514 | 04/14/2026 | Claims | 1 | 98.83 | | CBS001 |
| 260401040 CENTURY LINK | 515 | 04/14/2026 | Claims | 1 | 254.07 | | CEN160 |
| 260401041 CINTAS CORP | 516 | 04/14/2026 | Claims | 1 | 796.80 | | |
| 260401042 CLAREMONT LINCOLN UNIV | 517 | 04/14/2026 | Claims | 1 | 1,650.00 | Tavia Henry #4908 | |
| 260401043 CONNECTION | 518 | 04/14/2026 | Claims | 1 | 249.78 | | CON001 |
| 260401044 COPIERS NORTHWEST, INC. | 519 | 04/14/2026 | Claims | 1 | 260.18 | | COP002 |
| 260401045 COPY THAT REPROGRAPHICS | 520 | 04/14/2026 | Claims | 1 | 1,998.24 | | COP001 |
| 260401046 DELL MARKETING L.P. | 521 | 04/14/2026 | Claims | 1 | 2,648.45 | | DEL117 |
| 260401047 DEPT OF L & I - BOILER SECTION | 522 | 04/14/2026 | Claims | 1 | 270.40 | | DEP095 |
| 260401048 DEPT OF NATURAL RESOURCES | 523 | 04/14/2026 | Claims | 1 | 3,446.13 | | DEP180 |
| 260401049 EILERS KRISTI | 524 | 04/14/2026 | Claims | 1 | 53.67 | | |
| 260401050 GALLS, LLC | 525 | 04/14/2026 | Claims | 1 | 1,130.94 | | GAL100 |

VOUCHER APPROVALS

North Mason Regional Fire Authority

Time: 09:55:22 Date: 04/10/2026

04/30/2026 To: 04/30/2026

Page: 3

| Voucher | Claimant | Trans | Date | Type | Acct # | Amount | Memo | County ID |
|-----------|--|-------|------------|--------|--------|-----------|--|-----------|
| 260401051 | GILMORES AUTOMOTIVE SERVICE | 526 | 04/14/2026 | Claims | 1 | 7,379.29 | | GIL275 |
| 260401052 | HENRY TAVIA D | 527 | 04/14/2026 | Claims | 1 | 117.67 | Textbooks | |
| 260401053 | HOOD CANAL COMMUNICATIONS | 528 | 04/14/2026 | Claims | 1 | 981.36 | | HOO071 |
| 260401054 | HOPE SPRINGS CARE, P.S. | 529 | 04/14/2026 | Claims | 1 | 12,760.00 | | |
| 260401055 | HRA VEBA TRUST | 530 | 04/14/2026 | Claims | 1 | 15,872.57 | YA148 | HRA200 |
| 260401056 | HUTTER, CHRISTY | 531 | 04/14/2026 | Claims | 1 | 1,250.00 | | HUT075 |
| 260401057 | JENSON ZACKARY T | 532 | 04/14/2026 | Claims | 1 | 32.00 | PM Recert | |
| 260401058 | KITSAP BANK - VISA | 533 | 04/14/2026 | Claims | 1 | 4,816.24 | Safeway; Amazon; Amazon; MC Public Work; Credentialing; Amazon; Redback; GoodtoGo; Amazon; Amazon; Canva; Amazon; Amazon Refund; Got Print; Amazon; Got Print; Amazon; Amazon; Meta/Facebook | KIT072 |
| 260401059 | L.N. CURTIS & SONS, INC | 534 | 04/14/2026 | Claims | 1 | 1,982.28 | | LNC100 |
| 260401060 | LANGUAGE LINE SERVICES | 535 | 04/14/2026 | Claims | 1 | 12.54 | | LAN098 |
| 260401061 | LEMAY MOBILE SHREDDING | 536 | 04/14/2026 | Claims | 1 | 113.32 | | |
| 260401062 | MACECOM | 537 | 04/14/2026 | Claims | 1 | 13,602.16 | | MAC053 |
| 260401063 | MAGGIE LAKE WATER DISTRICT | 538 | 04/14/2026 | Claims | 1 | 45.00 | | MAG080 |
| 260401064 | MASON CO FIRE COMMISSIONERS ASSOC. | 539 | 04/14/2026 | Claims | 1 | 50.00 | Inch, Kewish | MAS256 |
| 260401065 | MASON COUNTY FIRE CHIEFS ASSOCIATION | 540 | 04/14/2026 | Claims | 1 | 50.00 | | MAS255 |
| 260401066 | MASON COUNTY GARBAGE, INC. | 541 | 04/14/2026 | Claims | 1 | 526.44 | | MAS300 |
| 260401067 | MCKESSON MEDICAL - SURGICAL | 542 | 04/14/2026 | Claims | 1 | 705.36 | | MCK001 |
| 260401068 | MEDICARE BLUE RX | 543 | 04/14/2026 | Claims | 1 | 101.00 | Fred Barrett May Premium | MED200 |
| 260401069 | MES SERVICE CO, LLC | 544 | 04/14/2026 | Claims | 1 | 1,106.10 | | MES125 |
| 260401070 | MUSGRAVE KATIE M | 545 | 04/14/2026 | Claims | 1 | 373.92 | Costco; US Chef Store / Costco | |
| 260401071 | NMRFA- REVOLVING FUND | 546 | 04/14/2026 | Claims | 1 | 1,927.17 | Astound; Belfair Water; Athena | NMR200 |
| 260401072 | NORTH SHORE TOWING, INC. | 547 | 04/14/2026 | Claims | 1 | 380.10 | | NOR081 |
| 260401073 | O'REILLY AUTO PARTS | 548 | 04/14/2026 | Claims | 1 | 10.77 | | ORE080 |
| 260401074 | PINTEY BOWES GLOBAL FINANCIAL SVC. | 549 | 04/14/2026 | Claims | 1 | 35.00 | | |
| 260401075 | PLATT ELECTRIC SUPPLY | 550 | 04/14/2026 | Claims | 1 | 331.53 | | PLA100 |
| 260401076 | PRS ATTN: MSC 410837 | 551 | 04/14/2026 | Claims | 1 | 523.14 | | |
| 260401077 | PUD #1 | 552 | 04/14/2026 | Claims | 1 | 67.93 | | PUD100 |
| 260401078 | PUD #3 | 553 | 04/14/2026 | Claims | 1 | 4,116.02 | | PUD300 |
| 260401079 | QUILL CORPORATION - PREFERRED CUSTOMER | 554 | 04/14/2026 | Claims | 1 | 638.97 | | QUI100 |
| 260401080 | SAFEWAY | 555 | 04/14/2026 | Claims | 1 | 366.88 | | SAF112 |
| 260401081 | SCOTT MCLENDONS HARDWARE | 556 | 04/14/2026 | Claims | 1 | 182.34 | | SCO150 |
| 260401082 | SNURE LAW OFFICE, PSC | 557 | 04/14/2026 | Claims | 1 | 720.00 | | SNU085 |
| 260401083 | SOUTH BOUND MOTORSPORTS | 558 | 04/14/2026 | Claims | 1 | 1,995.47 | 2013 Polaris | |
| 260401084 | SOUTH KITSAP FIRE AND RESCUE | 559 | 04/14/2026 | Claims | 1 | 5,000.00 | | SOU277 |

VOUCHER APPROVALS

North Mason Regional Fire Authority

Time: 09:55:22 Date: 04/10/2026

04/30/2026 To: 04/30/2026

Page: 4

| Voucher Claimant | Trans | Date | Type | Acct # | Amount | Memo | County ID |
|---|-------|------------|--------|--------|------------|---------------------|-----------|
| 260401085 STERICYCLE INC | 560 | 04/14/2026 | Claims | 1 | 130.10 | | STE505 |
| 260401086 SYSTEMS DESIGN WEST, LLC | 561 | 04/14/2026 | Claims | 1 | 2,159.53 | | |
| 260401087 THE DOCTORS CLINIC | 562 | 04/14/2026 | Claims | 1 | 212.00 | | THE001 |
| 260401088 THE SHOPPER | 563 | 04/14/2026 | Claims | 1 | 807.47 | | |
| 260401089 TRAILS END WATER DISTRICT | 564 | 04/14/2026 | Claims | 1 | 118.06 | | TRA092 |
| 260401090 ULINE | 565 | 04/14/2026 | Claims | 1 | 75.55 | | ULI200 |
| 260401091 VFIS C/O M&T BANK | 566 | 04/14/2026 | Claims | 1 | 10,497.00 | Correction | VFI200 |
| 260401092 WA FIRE COMMISSIONERS ASSOC | 567 | 04/14/2026 | Claims | 1 | 269.01 | | WAS091 |
| 260401093 WA STATE PATROL BUDGET & FISCAL | 568 | 04/14/2026 | Claims | 1 | 1,300.00 | Borcherding, Taylor | WAS800 |
| 260401094 WESTBAY AUTO PARTS INC | 569 | 04/14/2026 | Claims | 1 | 224.32 | | WES077 |
| 260401095 WILCOX & FLEGEL INC. | 570 | 04/14/2026 | Claims | 1 | 7,986.28 | | WIL012 |
| 260401096 ZOLL MEDICAL CORP. GPO | 571 | 04/14/2026 | Claims | 1 | 1,255.96 | | ZOL001 |
| Total Vouchers: | | | | | 654,997.40 | | |

CERTIFICATION: We, the undersigned do hereby certify under penalty of perjury, that the materials have been furnished, the services rendered or the labor performed as described and that the claim is a due and unpaid obligation against North Mason Regional Fire Authority and that we are authorized to authenticate and certify to said claim.

Commissioner: _____ Date: _____

Commissioner: _____ Date: _____

Commissioner: _____ Date: _____

Commissioner: _____ Date: _____

Commissioner: _____ Date: _____

Secretary: _____ Date: _____



PREPARED BY

Peter Updegrove
pete@integrityrc.com
(360) 900-6457



Scott Cooper

9550 Northeast Belfair Tahuya Road
Tahuya, WA 98588

Proposal Date: 04/01/2026

Integrity Roofing & Construction
20054 Viking Ave NW
Poulsbo, WA 98370
Phone: (360) 900-ROOF (7663)

ABOUT INTEGRITY ROOFING

Serving Puget Sound with Integrity. Doing the Right Thing Matters.



Integrity Roofing & Construction began with a simple mission: deliver honest, high-quality roofing and remodeling services, backed by decades of hands-on experience. Our founder, with roots in commercial fishing and years roofing large-scale restoration projects, built the company on a foundation of hard work, craftsmanship, and integrity.

Today, we proudly serve homeowners and businesses throughout the Puget Sound region – from Poulsbo and Kitsap County to Seattle, Bremerton, Bellevue, and beyond. Whether you need a minor repair, a full roof replacement, siding, gutters, or a complete home remodel, our skilled and experienced crews bring professionalism, transparency, and durable solutions to every project.

At Integrity, we believe that a roof is more than just a cover over your head – it's the first line of defense for your home. That's why we treat every job with the same care and attention we'd give our own home, and make sure each customer truly understands their options before we start.



5,000+ Projects
4.8+ Average Rating
600+ Reviews

Why Homeowners Choose Us:

- **Transparent Service & Honesty First:** At Integrity, we deliver what we promise. Our estimates are fair, and we never upsell unnecessary services. We keep you informed throughout the process.
- **Comprehensive Roofing & Exterior Services:** From asphalt shingles and metal roofing to cedar, tile, slate, and more – plus siding, gutters, and remodeling. We're a one-stop shop for protecting and improving your home.
- **Proven Track Record & Community Trust:** Since 2016, we've built a reputation across Puget Sound for dependable workmanship, quality results, and customer satisfaction.

Integrity Roofing provided excellent communication and service, on time every day and within the estimated budget.

- Rob M.

Professional as they come. Great crew on site - they cleaned my roof and gutters in a flash.

- Mike H.

We had a tight deadline; Integrity finished on time, the quality was top-notch, and their communication was outstanding.

- Greg B.

WHAT YOU CAN EXPECT WITH EVERY INTEGRITY ROOF

A better roofing experience - built around care, quality, and craftsmanship.



Professional Prep & Protection

Your home stays protected from start to finish.

- Property protection set up before work begins
- Trailer-based debris removal (no dumpsters left onsite)
- Magnetic nail sweep upon completion



Quality Materials & Installation

Installed the right way - every time.

- Licensed & insured roofing crews
- Ventilation installed to manufacturer specifications
- Tier-specific premium components based on your system



Clean Communication

You'll always know what's happening and when.

- Clear timelines and expectations
- Daily updates from your project manager
- Immediate support for questions or changes



Final Inspection & Warranty Protection

We stand behind every roof we install.

- Detailed final inspection & walkthrough
- Integrity workmanship warranty on all full replacements
- Manufacturer-backed material coverage

CHOOSE THE PERFECT COLOR FOR YOUR NEW ROOF

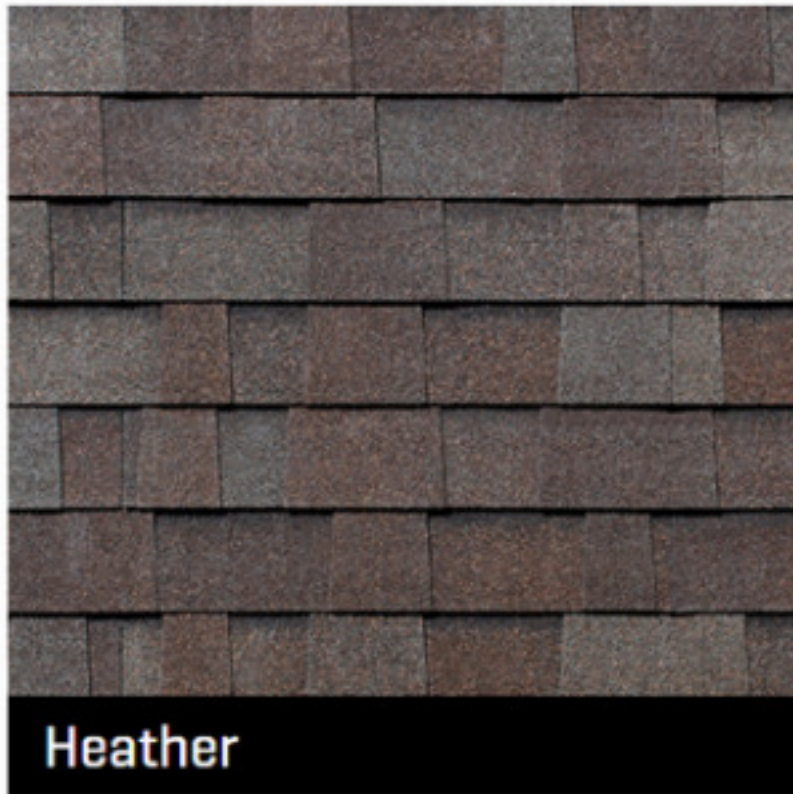
Explore Malarkey's color collections to find a roof that fits your home's style



Antique Brown



Black Oak



Heather



Midnight Black



Natural Wood



Sienna Blend



Silverwood



Storm Grey



Weathered Wood

LAMINATE SHINGLES

Beautify & protect for years to come

HIP & RIDGE CAP SHINGLES

The finishing touch that helps defend against leaks at the hips and ridges

SYNTHETIC UNDERLAYMENT

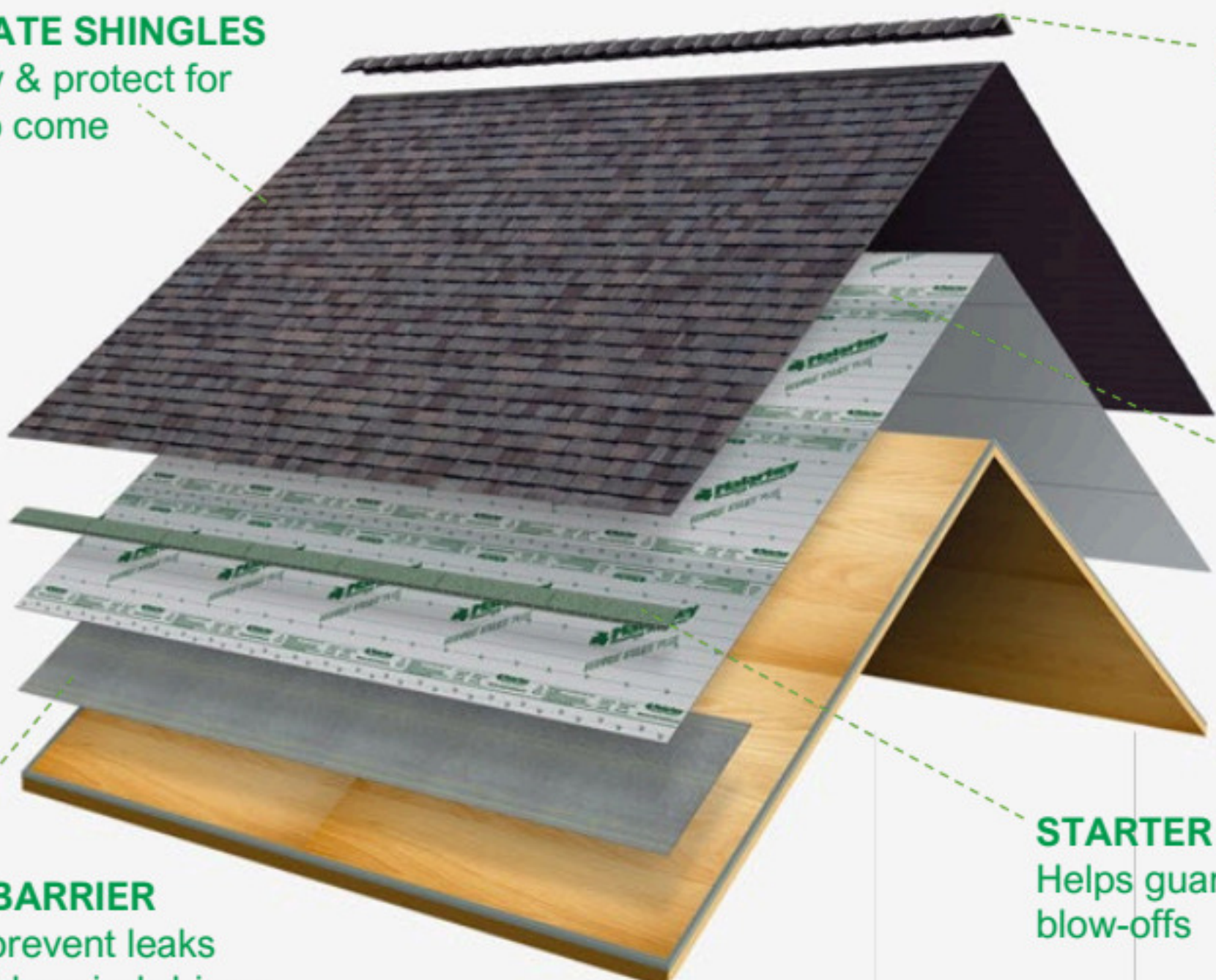
Helps shield the roof deck from moisture infiltration

LEAK BARRIER

Helps prevent leaks caused by wind-driven rain and ice dams

STARTER STRIP SHINGLES

Helps guard against shingle blow-offs



Your roof protects your home. Our shingles protect it.



THE FUTURE OF METAL ROOFING



METAL ROOFING COLOR CHART

PREMIUM KYNAR OCEAN GUARD

50 YEAR LIMITED WARRANTY



Pre-Weathered Zinc



Silver Metallic



Twilight Silver



Vintage Heritage



Vintage



Antique Patina



Copper Penny

NEW NATURAL MATTE™

40 YEAR LIMITED WARRANTY



Carbon



Basalt



Graphite



Ore



Shale

**SELECT PLUS
26GA**

**40 YEAR
LIMITED
WARRANTY**



Cinder Black Flat Black SRI-26



Cascade Gray SRI-24 Granite Gray SRI-24



Dove Gray SRI-32 Winter White SRI-75



Copper Penny SRI-53 Desert Scape SRI-48



Forest Green SRI-26 Midnight Bonze SRI-25



Medium Bronze SRI-25 Oceania Blue SRI-26



Skyline Blue SRI-24 Light Stone SRI-48



Sedona Red SRI-34 Classic Green SRI-26

**D2 KYNAR
26GA**

**40 YEAR
LIMITED
WARRANTY**



Matte Black SRI-26 Dark Bronze SRI-28



Charcoal Gray SRI-31 Old Zinc Gray SRI-41



Weathered Copper SRI-27

**D2 KYNAR WITH OCEAN GUARD
24GA**

**50 YEAR
LIMITED
WARRANTY**



True Black Matte Black SRI-26



Charcoal Gray SRI-31 Old Zinc Gray SRI-41



Old Town Gray SRI-44 Regal White SRI-75



Weathered Copper SRI-27 Parchment SRI-58



Hartford Green SRI-26 Dark Bonze SRI-28



Moss Green SRI-26 Leaf Green SRI-26



Tahoe Blue SRI-26 Deep Blue Sea SRI-26



Colonial Red SRI-34 Redi-Mix Red SRI-44



Desert Tan SRI-58

SPECIALTY FINISHES



All Gauges: Zincalume Plus 26GA Natural Rust



Real Copper: 16oz & 20oz

**PREMIUM KYNAR
OCEAN GUARD**

**50 YEAR
LIMITED
WARRANTY**



Pre-Weathered Zinc



Silver Metallic



Twilight Silver



Vintage Heritage



Vintage



Antique Patina



Copper Penny

**NEW NATURAL
MATTE™**

**40 YEAR
LIMITED
WARRANTY**



Carbon



Basalt



Graphite



Ore

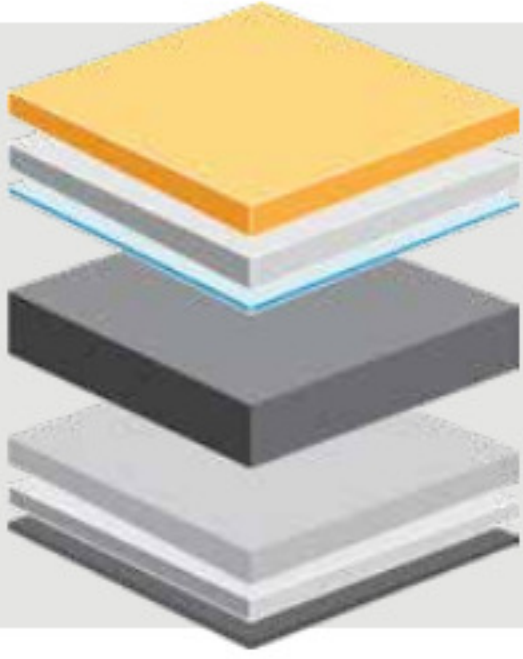


Shale



INDUSTRY LEADING WARRANTIES

AS THE LEADER IN METAL ROOFING, ITS ONLY FITTING THAT OUR DECADES-LONG WARRANTIES OUTLAST ALL OTHERS.



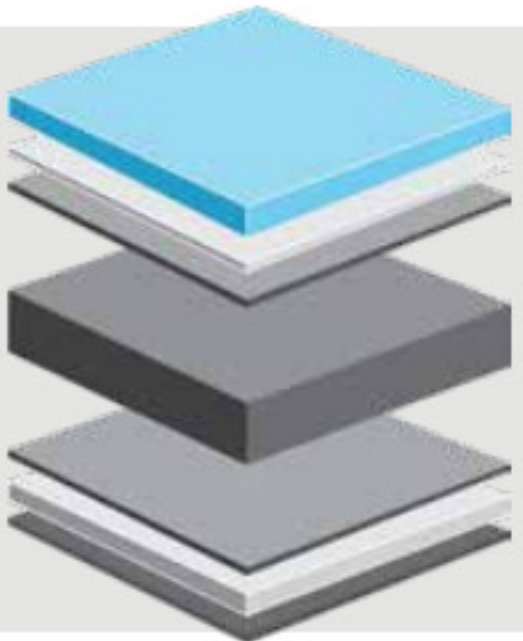
- .5 mil Ocean Guard Kynar 500
- .8 mil Extra Thick Primer
- Zincalume Coating
- 24 Gauge Base Steel
- Zincalume AZ50
- .25 mil Primer Coat
- .4 mil Universal Backer



50 YEAR LIMITED WARRANTY

24 GAUGE D2 KYNAR 500 WITH OCEAN GUARD

Thicker and stronger, our 24-gauge metal roof panels are engineered to perform in the harshest environments. In collaboration with PPG, Nu-Ray designed these panels to set the new standard in metal roofing. The quality is well worth the upgrade. The AZ50 Zincalume™ base steel is coated in extra thick high-build primer and finished with PPG's D2 Kynar 500, so we can confidently offer a standard 50-year finish warranty. A 15-year warranty is available on finishes for projects located on coastal properties.



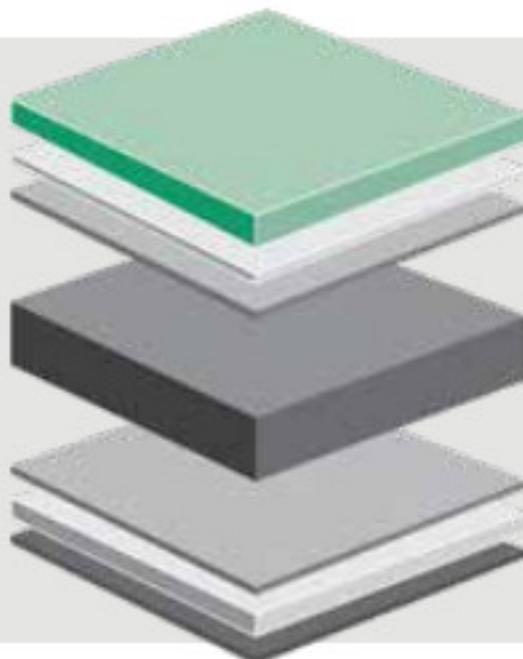
- .5 mil Kynar 500
- .2 mil Standard Primer Coat
- Galvanized G-90
- 26 Gauge Base Steel
- Galvanized G-90
- .25 mil Standard Primer Coat
- .4 mil Universal Backer



40 YEAR LIMITED WARRANTY

26 GAUGE D2 KYNAR 500

With 40+ years of experience, Nu-Ray has concluded that our 26-gauge panels utilizing a galvanized G-90 base finished in PPG's D2 Kynar 500 is the perfect roofing material for residential and light commercial applications. D2 Kynar also incorporates ULTRACool pigments, which provide unparalleled solar reflectivity.



- .5 mil Select Plus
- .2 mil Standard Primer Coat
- Galvanized G90
- 26 Gauge Base Steel
- Galvanized G90
- .25 mil Primer Coat
- .4 mil Universal Backer



40 YEAR LIMITED WARRANTY

26 GAUGE SELECT PLUS

Nu-Ray's 26-gauge Select Plus panels feature superior scratch resistance and top-of-the-line color pigments, making them ideal for residential, light commercial, and agricultural projects. The budget-conscious Select Plus system also marries the newest technologies in paint with the long history of PPG paint systems, incorporating ULTRACool pigments to provide superb solar reflectivity.



VISIT OUR WEBSITE AT NURAYMETALS.COM
NURAYMETALS.COM
800.700.7228



PROTECTING NATURAL RESOURCES

All of Nu-Ray's metal roofing products are 100% recyclable. Excess material from the manufacturing process is recycled. Because our metal roofing is warranted to last up to 50 years, natural resources are not wasted. Compare this to asphalt and cedar roofs that require frequent replacement.



PREMIUM PERFORMANCE IN THE HARSHTEST ENVIRONMENTS

Superior metal roofing and siding that's readily available and affordable.

D2 KYNAR® WITH OCEAN GUARD METAL ROOFING AND SIDING

- Available in 24-gauge metal thicknesses.
- Available in 17 standard and 7 premium colors for nearly all color needs.
- 50-year finish warranty.
- Exclusive Puget Sound warranty available to protect against the elements.



800.700.7228
NURAYMETALS.COM

INVEST IN YOUR ROOF

Engineered to withstand even the most extreme conditions, this finish is like insurance for your roof.



D2 KYNAR® WITH OCEAN GUARD
*Not Ocean Guard System



24
Gauge

24
Colors



True Black SRI-NA

Matte Black SRI-26

Charcoal Gray SRI-31

Old Zinc Gray SRI-41



Old Town Gray SRI-44

Regal White SRI-75

Weathered Copper SRI-27

Parchment SRI-58



Hartford Green SRI-26

Dark Bronze SRI-28

Moss Green SRI-26

Leaf Green SRI-26



Tahoe Blue SRI-26

Deep Blue Sea SRI-26

Colonial Red SRI-34

Redi-Mix Red SRI-44



Desert Tan SRI-34

Pre-Weathered Zinc SRI-41

Silver Metallic SRI-59

Twilight Silver SRI-52



Antique Patina SRI-39

*Vintage SRI-22

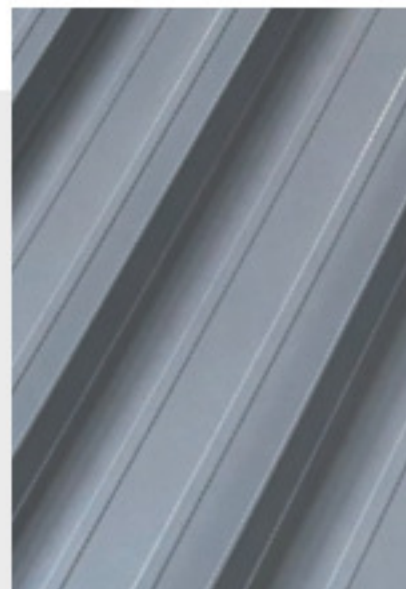
*Vintage Heritage SRI-20

Copper Penny SRI-53

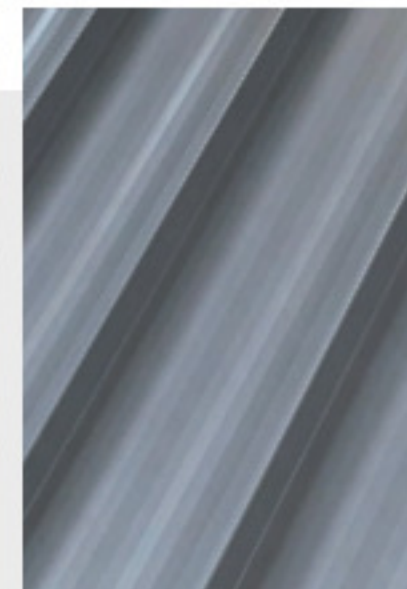
AESTHETIC OPTIONS

This is available in 24 gauge metal thicknesses. Adding accent ribs or striations to a metal panel will decrease the waviness known as oil-canning.

Disclaimer: Colors are close representations of actual colors but are limited by printing capabilities. Please request a free metal sample to confirm color prior to placing order.



Accent Ribs



Striations



Flat Panel



Integrity Roofing
20054 Viking Ave NW
Poulsbo, WA 98370
Phone: (360) 900-4876

Company Representative
Peter Updegrove
Phone: (360) 900-6457
pete@integrityrc.com

Scott Cooper
Fire Department
9550 Northeast Belfair Tahuya Road
Tahuya, WA 98588
(360) 801-1044

Job: x06001-1761: Scott Cooper

2 - Roofing - Asphalt Shingle Section

PREVAILING WAGE

Mobilize Project: 1. Transport crew, trucks, dump truck or dump trailer, tools and load materials to roof top.

2. Protect the grounds, greenery and all other necessary elements around the construction area such as decks, fences, HVAC units etc.

Tear Off and Disposal: 1 layer removal is included from both buildings. Remove existing roofing, flashings and underlayment to roof deck. Inspect sub structure.

Also includes removal and disposal.

If another layer of roofing is discovered there will be an additional cost.

Remove the plywood where needed to remove and replace the damaged bird blocks.

Metal Flashing Application: All metal flashings installed are 26 gauge in thickness:

Gable metal: 2" X 2"

Eave metal: 1" X 3"

Includes appropriate flashing around all penetrations.

Brown and black are standard colors. Please inform IRC if a custom color other than black or brown is preferred.

*Ventilation: No Attic Access. No ventilation analysis.

Apply Malarkey Lifetime Warranty Vista AR shingle product line with a class 4 impact rating. Includes patented SBS polymer laminate rubber & design patent. All shingles are copper-infused for an algae block 25 year guarantee. The complete roof will consist of the following products:

- 1) Malarkey Smart Start - SBS polymer rubberized starter shingles.
- 2) Malarkey Ridge Flex - SBS polymer rubberized hip & ridge shingles.
- 3) Self-adhering ice and water shield - Applied around penetrations.
- 4) Synthetic underlayment (engineered for water wicking vapor barrier and crew personnel safety) Fastened with Cap Nails,
- 5) Pipe Boots - come with flexible PVC collars conforming to vent pipes that create a water-tight seal.
- 6) Each shingle is nailed with 6 nails for improved fastening strength and wind warranty.
- 7) Three different-sized fasteners will be applied: 3/4" over eaves, 1.25" in the field, and 2.5" for ridge installation.

Ridge Vent: Continuous Baffled Ridge Vent: Install baffled ridge ventilation for continuous exhaust air flow.

1. Baffle design improves air flow by keeping leaves, pine needles or similar debris from clogging air exhaust.
2. Alignment tabs allow for flexibility and strength to accommodate virtually any roof pitch, resulting in a strong uniform ridge line.
3. Comes with insect and moisture barrier for outstanding long term performance.

Vaulted Ceilings: 1. Foremen will lift up one sheet of plywood to inspect insulation has been properly installed to allow air to flow from eave intake vents through rafter bays and exhaust.

2. If over insulated; this can cause condensation and overheating of any roofing product installed causing shortened lifespan of roof product.

3. If rafter bays are over insulated, project management staff will provide you with costs to install baffles.

** Should you defer the installation of baffles Integrity & roofing manufacturer will not be responsible or liable for underperformance of roof system.

Note: Plywood replacements will not remedy wavy, sagging, or uneven roof decks.

20 sheets of 1/2" CDX plywood included. Additional rot or damage will be:

Unforeseen**: 1.) Remove and replace 1/2" OSB Sheathing = \$65 per sheet. Remove and replace 1/2" CDX Sheathing = \$75 per sheet (includes material, labor and disposal).

2.) Framing repairs \$100/hr per crew member. excludes materials.

3.) Time & Material repairs: \$100/hr per crew member plus material costs

In the rare event that plywood replacement is excessive (Greater than 10 sheets) and also requires staff to be on site for additional day(s), overhead will be applied.

*****NOTE*****

Any rot or negligent building practices found will be repaired at our Time and Material Rate of \$120/hr for Project Managers and \$100/hr per crew member.

Please note: Raw material volatility may cause pricing to vary due to uncertainty in lumber market costs.

**Includes the Malarkey Emerald Pro Warranty *50 Years non-Prorated* (This warranty may differ for multi Housing)

Includes a 20 Year Workmanship warranty.

Demobilize: Magnetic nail sweep perimeter. Clean out all gutters. Remove debris, trucks, tools, and trailers.

PERMITS

County permitting costs are variable based on county to county. If IRC is obtaining the permit, there is an additional \$150 for administration fees on top of the permit fee. If you would like IRC to obtain a permit for your project please let your estimator know.

NOTE:

Any unused plywood will be refunded back at \$70.00 per sheet.

| | Qty | Unit |
|---|-----|--------------------|
| Shingles & Starter (Supplier Inventory) | | |
| Hip and Ridge (Supplier Inventory) | | |
| Metal (Supplier Inventory) | | |
| Ventilation (Supplier Inventory) | | |
| Underlayment (Warehouse Inventory) | | |
| Nails (Warehouse Inventory) | | |
| Metal (Warehouse Inventory) | | |
| Accessories (Warehouse Inventory) | | |
| Lumber (Plywood, fascia, etc.) | | |
| Labor | | |
| Disposal Fees | | |
| Malarkey Warranty | | |
| | | \$15,631.19 |

| | |
|------------------|--------------------|
| Sub Total | \$15,631.19 |
| Tax | \$1,438.07 |
| TOTAL | \$17,069.26 |



Integrity Roofing
20054 Viking Ave NW
Poulsbo, WA 98370
Phone: (360) 900-4876

Company Representative
Peter Updegrove
Phone: (360) 900-6457
pete@integrityrc.com

Scott Cooper
Fire Department
9550 Northeast Belfair Tahuya Road
Tahuya, WA 98588
(360) 801-1044

Job: x06001-1761: Scott Cooper

2 - Roofing - Metal Section

PREVAILING WAGE

Mobilize Project: Transport crew, trucks, dump trailer, tools and boom load materials to roof top. Protect the grounds, greenery and all other elements around the construction area.

Tear Off / Disposal: 1. One layer removal expected from both buildings.

2. Remove existing roofing, flashings and underlayment to roof deck.

3. Inspect sub structure & report any findings to customer.

4. Includes disposal and disposal fees.

Remove the plywood where needed to remove and replace the damaged bird blocks.

*Note, when tearing off a torch down roof there may be additional charges to properly prepare the roof deck surface. A full re sheet is recommended.

Siding will most likely need to be cut in order to properly install flashings.

High Temperature Ice/Shield: 1. All Metal roofing condensates & conducts heat:

A. Apply Tyvek self adhering High temp Ice & Water shield to the entire roof deck..

B. HT³ is the strongest and most durable underlayment in its class

C. Rubberized membrane seals around each hidden fastener in every panel.

D. Protect the roof plywood and framing from condensation & wont dry out and crack.

E. Resisting high heat produced under the panels up to 265 °F

F. UL Classified for Protection Against Fire Damage

G. Meets ASTM D1970 requirements for underlayment

I. Safe-Step, Anti-Slip Cross Laminated Polypropylene Surface

Nu-Ray Metal NRM-1000: Install NRM-1000 standing seam metal roofing panels.

Panel Profile Options

26 Gauge

. Panel Width: 16"

Seam Height: 1½"

- Highest cosmetic appeal

. Three Panel Surface Options:

1. Smooth/flat
2. Two pencil ribs
3. Striations

Includes:

- Hook eave terminations at all eaves.
- All new valley metal, gable metal, side wall and roof to wall flashings.
- All necessary skylight flashings.
- Appropriate flashings around all penetrations.
- All necessary fasteners and accessories.

* PANEL LENGTHS: 4' 0" to 44' 0"

* METAL OPTIONS: 16 oz. or 20 oz. natural copper (special order)

* Apply over open framing or solid substrates

* Long-length crating available

* Minimum 3:12 roof pitch

* UL 580 Class 90 Rated and Listed

Note Flat panels are more susceptible to oil canning* Customer understands when choosing a FLAT panel profile they may experience oil canning.

Warranty:1. Integrity Craftsmanship Warranty:

20 Year Integrity Roofing & Construction Labor Warranty

2. Metal Coating Warranty:

40 year Select Plus

Vaulted Ceilings: Foremen will lift up one sheet of plywood to inspect insulation has been properly installed to allow air to flow from eave intake vents through rafter bays and exhaust.

If over insulated; this can cause condensation and overheating of any roofing product installed causing shortened lifespan of roof product.

If rafter bays are over insulated, project management staff will provide you with costs to install baffles.

** Should you defer the installation of baffles Integrity & roofing manufacturer will not be responsible or liable for underperformance of roof system.

Your roof will come with (2) stainless steel permanent roof anchors mounted under ridge Cap.

Cedar siding can be problematic and easily crack when installing new flashing on any roof to wall or side wall transitions. IRC will install 1x4 trim in these locations if siding cracks at a time and material rate.

20 sheets of 1/2" CDX plywood included. Additional rot or damage will be:

Demobilize: Magnetic nail sweep perimeter. Clean out all gutters. Remove debris, trucks, tools, and trailers.

Unforeseen**

1.) Remove and replace 1/2" OSB Sheathing = \$65 per sheet. Remove and replace 1/2" CDX Sheathing = \$75 per sheet (includes material, labor and disposal).

2.) Framing repairs \$100/hr per crew member. excludes materials.

3.) Time & Material repairs:

- \$90/hr per crew member

- Materials plus 25%

In the rare event that plywood replacement is excessive (Greater than 10 sheets) and also requires staff to be on site for additional day(s), overhead will be applied.

Please note: Raw material volatility may cause pricing to vary due to uncertainty in lumber market costs.

PERMITS

County permitting costs are variable based on county to county. If IRC is obtaining the permit, there is an additional \$150 for administration fees on

top of the permit fee. If you would like IRC to obtain a permit for your project please let your estimator know.

NOTE:

Any unused plywood will be refunded back at \$70.00 per sheet.

| | Qty | Unit |
|------------------------------------|-----|--------------------|
| Select plus (Budget Friendly) | | |
| FASTENERS (ADD CLIPS) | | |
| Metal (Supplier) | | |
| Underlayment (Warehouse Inventory) | | |
| SUPPLIER MISC | | |
| Services | | |
| Labor | | |
| Disposal Fee | | |
| ABC Delivery Fee | | |
| <hr/> | | |
| | | \$26,254.53 |

| | |
|------------------|--------------------|
| Sub Total | \$26,254.53 |
| Tax | \$2,415.42 |
| TOTAL | \$28,669.95 |





Mason County FPD #2; North Mason RFA

3/10/2026
(Handwritten initials)

General Fire Apparatus
 Brenden Feist
 3924 East Trent Avenue
 Spokane, Washington 99202
 509-242-2710
 brendenf@generalfire.com

Exp. Date: 03/25/2026 Create Date: 02/23/2026 Rev. Date: 03/10/2026
 Quote No: 10145-0001
 03/10/2026

| PART NO | S | DESCRIPTION | QTY |
|--|---|--|-----|
| == Pumper/Tanker Bid Prep Forms - 401.025 04/01/25 == | | | |
| ROSENBAUER APPARATUS SOLUTIONS - RAS - 03 MARCH 2026 | | | |
| > 00-00-1100 | S | Information Request Form (Factory Required) | 1 |
| > 00-00-1200 | S | Chassis Information Summary (Factory Required) | 1 |
| 00-00-1300 | S | North Mason Regional Fire Authority | 1 |
| < > 00-00-1500 | | MAXIMUM OVERALL HEIGHT SHOP NOTE: 10' Feet | 1 |
| < > 00-00-1510 | | MAXIMUM OVERALL LENGTH SHOP NOTE: 31' Feet 4" Inches | 1 |
| 00-00-1519 | | Overall Width Restriction, NONE | 1 |
| < > 00-00-1530 | | MAXIMUM WHEELBASE SHOP NOTE: wheelbase 243 CA 127 | 1 |
| 00-00-1539 | | Angle of Approach, NFPA Minimum, 8 Degrees | 1 |
| 00-00-1549 | | Angle of Departure, NFPA Minimum, 8 Degrees | 1 |
| 00-00-1610 | | NFPA Pumper Equipment Allowance 2500# | 1 |
| 00-00-1799 | | | 1 |
| 00-00-3220 | | Contract Change Notice | 1 |
| 01-06-0500 | | Calculated Center of Gravity | 1 |
| 01-07-0062 | | -- Representative Technical Drawings (4-View)(Left/Right/Rear/Front) | 1 |
| 01-07-1100 | | Change Orders | 1 |
| > 02-02-0300 | | Inspection Trip | 1 |
| 02-03-0500 | | ISO Compliance | 1 |
| 02-03-0200 | | Single Source Response, Rosenbauer | 1 |
| 01-08-0150 | | Rosenbauer America Company History | 1 |
| 02-13-5020 | | Demonstration (Dealer Supplied) | 1 |
| 02-13-7200 | | Body Manufacturer Service & Support Requirements | 1 |
| 02-13-7300 | | Local Sales and Service Vehicle Support | 1 |
| 02-13-7400 | | Toll Free Service Number | 1 |
| == Pumper/Tanker Warranties - 401.025 04/01/25 == | | | |
| > 01-16-0100 | | -- Apparatus, Body Warranty, 1 Year | 1 |

| PART NO | S | DESCRIPTION | QTY |
|----------------|---|--|-----|
| 01-19-0250 | | -- Aluminum Body Warranty, 5 Years | 1 |
| 01-19-2800 | | -- Galvanized Subframe Warranty, Lifetime | 1 |
| 01-20-0250 | | -- PPG Paint Warranty, 5 Years | 1 |
| 01-21-0150 | | -- Lettering and Striping Warranty, 1 Year | 1 |
| 01-17-0700 | | -- Waterous Pump Warranty, 7 Years | 1 |
| 01-17-1050 | | -- Stainless Steel Plumbing Warranty, 10 Years | 1 |
| 01-18-0050 | | -- G3 Foam Tank Warranty | 1 |
| 01-18-0900 | | -- G3 Water Tank Warranty | 1 |
| 01-33-3100 | | -- Body Manuals Complete, 1 Set Printed | 1 |
| 01-33-3710 | | -- In Process Photos | 1 |
| > 02-90-1200 | | Freightliner M2 4 Door Chassis | 1 |
| | | == Use Drop Down to Add RBM Chassis - 401.025 04/01/25 == | |
| | | == Pumper/Tanker-DC Electrical System - 401.025 04/01/25 == | |
| > 50-03-1000 | | Electrical Base, Standard, W/O Load Management | 1 |
| 50-05-1510 | | -- Electrical Junction Box, Weather Resistant | 1 |
| 50-10-2000 | | -- High Idle System | 1 |
| < 50-12-1120 | | Switch Panel/Electrical Console, Between Cab Seats, Black LineX | 1 |
| | | SHOP NOTE: | |
| | | Match RSD#16340 | |
| 10-13-4250 | | -- Binder Storage Module, Cab, Commercial Chassis, Rear of Console, Three (3) 2" | 1 |
| 10-13-3540 | | -- Exterior Finish, Cabinet, To Match Cab Interior | 1 |
| 10-13-3550 | | -- Interior Finish, Cabinet, Natural | 1 |
| 50-15-1100 | | Batteries, With Supl'd Chs | 1 |
| 50-15-3100 | | Battery Switch, Master Disconnect, Chassis Sppld | 1 |
| 50-15-9310 | | Charger, Chief NGC4, 40 Amp, w/Display, 20 Amp Auto Eject & 120 Volt Compressor | 1 |
| 50-16-1600 | | -- Display, Remote Panel 091-266-RCP | 1 |
| < > 50-20-1500 | | -- Shore Power Inlet, KUSS Super Auto-Eject 20 Amp | 1 |
| | | SHOP NOTE: | |
| | | Black Color Cover | |
| 50-20-1124 | | -- Shore Power Inlet, Below Left Front Cab Door, Commercial | 1 |
| 50-25-1400 | | -- Compressor, KUSS, Auto Pump 120-Volt 91-9B-4 | 1 |
| > 50-41-6100 | | -- Air Horns Two (2) 24" Round - Grover - Chrome | 1 |
| 50-41-8180 | | -- Air Horn Location Hood Mounted, One (1) Ea Side | 1 |
| 50-43-1000 | | -- Air Horn Controls | 1 |
| 50-43-2000 | | -- Air Horn Control, Driver, Horn Ring, Air/Electric | 1 |
| 51-05-6400 | | Light, Pump Compt, 12 Volt LED w/Switch | 1 |
| 51-05-9000 | | -- Switch on Light Head | 1 |
| 52-01-1100 | | Back Up Alarm, w/Chassis | 1 |
| 52-02-1100 | | Back Up Camera, Install Chassis Supl'd | 1 |
| > 52-08-1225 | | -- Hand Light, Vulcan, With LED, w/ 12V Charger,p/n 44451 | 2 |
| > 52-08-2300 | | -- Hand Light Install Location, Cab, Define | 1 |
| > 52-08-2312 | | -- Flashlight Install Seatbox | 1 |
| > 52-15-1200 | | Radio Antenna Base, Supply and Install, Ea | 2 |
| 53-01-1200 | | Marker Lts, LED, DOT Requirements | 1 |
| 53-02-1200 | | License Plate Bracket, SST w/ LED Light, Rear | 1 |
| 53-03-0065 | | Whelen Rear DOT LED Lighting Package M6 | 1 |
| 53-03-2750 | | -- Tail/Brake Lights, Whelen, LED, M62BTT (Pair) | 1 |
| 53-04-2750 | | -- Turn Signals, Whelen, LED w/ Arrow, M62T (Pair) | 1 |
| 53-06-3550 | | -- Backup Lights, Whelen, LED, M62BU (Pair) | 1 |

| PART NO | S | DESCRIPTION | QTY |
|-----------------------|---|--|-----|
| 53-05-1800 | | Turn Signals, Mid Body, LED Marker Light (Pair) | 1 |
| 54-02-1520 | | -- Ground Lights, Cab, 4-Door, LED, Whelen 3SC0CDCR Four | 1 |
| 54-02-2340 | | -- Step Lights, Cab, (4) Pair LED Eight Lights | 1 |
| 54-03-1220 | | -- Ground Lights, Pump Panel, LED, Pair Whelen 3SC0CDCR | 1 |
| 54-03-1620 | | -- Ground Lights, Rear Step, LED, Whelen 3SC0CDCR, Pair | 1 |
| 54-04-1999 | | -- Light Switch, Ground Lights w/ Park Brake | 1 |
| 54-10-1450 | | Step Light, Rear Tailboard, LED, Ea | 2 |
| 54-11-2100 | | Light Switch, Step/Walkway Lights Wired Park Brake Switch | 1 |
| 54-12-1918 | | Deck Lights, Rear Of Hosebed | 1 |
| 54-12-1320 | | -- Deck Lights, Code 3, LED, 1-Spot #CW2450 & 1-Flood #CW2451, Black | 1 |
| > 51-20-3100 | | -- Mounting Location, Front Edge Of Cab Roof | 1 |
| > 51-16-5015 | | -- Scene Light, Fire Tech, FT-MB-18-FT-B, 25", Black | 1 |
| 54-15-6002 | | -- Scene Light Switch, Front Scene Lights, Cab Switch Panel | 1 |
| 54-15-5924 | | -- Scene Light - Body Left Side | 2 |
| > 54-15-1272 | | -- Scene Light, Whelen, 604SLB LED, W/Black Bezel | 2 |
| 54-15-6400 | | -- Scene Light Switch, Left Scene Lights, Cab Switch Panel | 2 |
| 54-15-5928 | | -- Scene Light - Body Right Side | 2 |
| > 54-15-1272 | | -- Scene Light, Whelen, 604SLB LED, W/Black Bezel | 2 |
| 54-15-6500 | | -- Scene Light Switch, Right Scene Lights, Cab Switch Panel | 2 |
| 54-15-5932 | | -- Scene Light - Rear Body | 2 |
| > 54-15-1294 | | -- Scene Light, Whelen, 904SLB LED, w/Black Bezel | 2 |
| 54-15-6600 | | -- Scene Light Switch, Rear Scene Lights, Cab Switch Panel | 2 |
| > 55-11-2400 | | Door Open/Hazard Warn Light, Flashing, Whelen 3SR00FRR LED Round w/Alarm | 1 |
| 56-01-1820 | | Siren, Electronic, Whelen 295SL100 | 1 |
| 56-02-1600 | | Speaker, Fed Sig Dynamax, ES100C 100 Watt | 1 |
| 56-02-1650 | | -- Speaker Grille, SST, "R" | 1 |
| 56-03-1800 | | -- Speaker Location, To Be Determined by Body Mfg | 1 |
| > 56-06-0500 | | Siren, Fed-Sig, Q2B-NN Mech, Bumper, Partially Rcstd, Left Side Q2B-012NNSD Chro | 1 |
| 56-07-1900 | | -- Q2B Siren E-Master Interlock* | 1 |
| 56-07-1600 | | -- Siren Control, Fed-Sig, Q2B, Driver's Horn Ring | 1 |
| 56-07-1400 | | -- Siren Control, Fed-Sig, Q2B, Officer's Side Foot Switch | 1 |
| 56-07-1200 | | -- Siren Brake, Fed-Sig, Q2B, Officer's Side | 1 |
| < > 57-02-2000 | | -- Light Bar, Whelen JE0NFPA NFPA Justice Series Super LED 62" Long | 1 |
| SHOP NOTE: | | | |
| Use low profile mount | | | |
| 57-10-0600 | | -- Warning Light Control, with E-Master Warning Switch | 1 |
| 58-71-1820 | | -- Warning Lights, Whelen, Upper Rear Body (2) S-LED Rotary L31 P/N L31*F | 1 |
| 57-20-8100 | | -- Warn Light, Driver, Whelen, L31 LED Rotator Red Color Lens, Ea | 1 |
| 57-20-8101 | | -- Warn Light, Officer, Whelen, L31 LED Rotator Red Color Lens, Ea | 1 |
| 58-74-5200 | | -- Mounting, Rear Warning Light, Body Compartment | 1 |
| 58-03-2200 | | -- Warning Lights, Whelen, Low Front, (2) M4 LED | 1 |
| 57-20-1110 | | -- Warn Light, Driver, Whelen, M4, Red LED, Clear Lens, Ea | 1 |
| 57-20-1111 | | -- Warn Light, Officer, Whelen, M4, Red LED, Clear Lens, Ea | 1 |
| 58-01-2121 | | -- Flange, Black, Warning Light, Whelen, M4, Ea | 2 |
| 58-09-2200 | | -- Warning Lights, Whelen, Intersection, (2) M4 LED | 1 |

| PART NO | S | DESCRIPTION | QTY |
|---|---|---|-----|
| 57-20-1110 | | -- Warn Light, Driver, Whelen, M4, Red LED, Clear Lens, Ea | 1 |
| 57-20-1111 | | -- Warn Light, Officer, Whelen, M4, Red LED, Clear Lens, Ea | 1 |
| 58-01-2121 | | -- Flange, Black, Warning Light, Whelen, M4, Ea | 2 |
| > 58-26-2400 | | -- Warning Lights, Whelen, Lower Mid Body (2) M2W LED, in Rub Rail | 1 |
| 57-20-1010 | | -- Warn Light, Driver, Whelen, M2, Red LED, Clear Lens, Ea | 1 |
| 57-20-1011 | | -- Warn Light, Officer, Whelen, M2, Red LED, Clear Lens, Ea | 1 |
| > 58-01-2101 | | -- Flange, Black, Warning Light, Whelen, M2, Ea | 2 |
| > 58-36-2400 | | -- Warning Lights, Whelen, Lower Rear Side (2) M2W LED, in Rub Rail | 1 |
| 57-20-1010 | | -- Warn Light, Driver, Whelen, M2, Red LED, Clear Lens, Ea | 1 |
| 57-20-1011 | | -- Warn Light, Officer, Whelen, M2, Red LED, Clear Lens, Ea | 1 |
| > 58-01-2101 | | -- Flange, Black, Warning Light, Whelen, M2, Ea | 2 |
| 58-81-2000 | | -- Warning Lights, Whelen, Lower Rear Body (2) M6 LED | 1 |
| 57-20-1200 | | -- Warn Light, Driver, Whelen, M6, Red LED, Color Lens, Ea | 1 |
| 57-20-1201 | | -- Warn Light, Officer, Whelen, M6, Red LED, Color Lens, Ea | 1 |
| == Pumper/Tanker-Chassis Modifications - 401.025 04/01/25 == | | | |
| 09-90-9901 | | Commercial Chassis Prep | 1 |
| 10-02-1100 | | -- Label, Data, Fluid Levels | 1 |
| 10-02-1300 | | -- Label, Data, "No Ride" Rear Step | 1 |
| 10-02-1500 | | -- Label, Data, Height x Length, Weight - Seating | 1 |
| 10-02-2500 | | -- Label, "Caution: Do Not Wear Helmet While Seated" | 1 |
| 10-03-6000 | | -- Tow Plates (2), Rear Frame Rail, Under Step | 1 |
| 80-43-2400 | | -- Painting, Tow Plates, Black | 1 |
| 10-06-1110 | | -- Wheel Trim, SST Hub/Lug Covers, Front/Rear, Single Axle | 1 |
| > 10-06-1600 | | -- Tire Pressure Indicator, Single Axle, Commercial, RWTG1235 | 1 |
| 10-07-0100 | | -- Exhaust, Horizontal Supplied With Chassis | 1 |
| 10-07-1500 | | -- Exhaust Heat Shield, Under Body Compartments | 1 |
| 10-08-2100 | | -- Mud Flaps, Rear Wheels, Black, w/ Body | 1 |
| 10-10-1540 | | -- Cab Step Enclosure, Freightliner, 4 Door Driver Side | 1 |
| 10-10-1560 | | -- Cab Step Enclosure, Freightliner, 4 Door Passenger Side | 1 |
| 10-12-6300 | | -- SCBA Bracket, Cab Seat, Zico "NFPA" Restraint, Ea HZ-KD-ULLH | 3 |
| < 10-13-1300 | | -- Cabinet, Crew Cab, Center Rear Wall, Full Height Seat Belt Web | 1 |
| 36"W x 18" D x Fu | | | |
| SHOP NOTE: | | | |
| Match RSD#16340 | | | |
| 10-13-3540 | | -- Exterior Finish, Cabinet, To Match Cab Interior | 1 |
| 10-13-3570 | | -- Interior Finish, Cabinet, To Match Cab Interior | 1 |
| == Midship Pumper/Tanker Pump & Plumbing - 401.025 04/01/25 == | | | |
| > 20-23-1200 | | -- Pump, Waterous, CSC22, 1 Stage, Midship | 1 |
| > 20-23-1120 | | -- Pump Flow Rating, Waterous, CSC22, 1250 GPM | 1 |
| 22-03-1600 | | -- Intake, Ungated, 6", LH Side | 1 |
| 22-41-5700 | | -- Cap, 6", Chrome Long Handle | 1 |
| 22-03-2600 | | -- Intake, Ungated, 6", RH Side | 1 |
| 22-41-5700 | | -- Cap, 6", Chrome Long Handle | 1 |
| 20-26-2200 | | -- Pump Seal, Mech, Waterous | 1 |
| > 20-26-2400 | | -- Pump Impeller, Waterous, Flame Plated Hubs | 1 |
| 20-26-3200 | | -- Pump Shift, Waterous, Elec/Pneumatic Operated | 1 |
| 20-26-4500 | | -- Pump Primer, Waterous, Venturis Air Primer | 1 |
| > 27-10-3400 | | -- Pressure Governor, FRC, In-Control, w/Body, TGA300 | 1 |
| 21-00-2002 | | -- Screens/Anodes, Pump, 6" | 1 |
| 21-00-3300 | | -- Piping, SST - 1250 GPM & Up | 1 |
| > 21-01-0300 | | -- Pump Drain, Master, Manifold, Hand Wheel Type | 1 |

| PART NO | S | DESCRIPTION | QTY |
|--------------|---|--|-----|
| 21-01-7300 | | -- Unpainted, Pump & Piping | 1 |
| 21-01-8100 | | -- Threads, National Hose (NST) | 1 |
| > 22-51-5210 | | -- Tank-To-Pump, Water Tank, 3" Valve/4" Piping, Midship, Pumper/Tanker | 1 |
| 22-50-0100 | | -- Single Tank to Pump Control - Pump Operator's Panel | 1 |
| 24-62-1300 | | -- Valve, AKR, 8000, (3") | 1 |
| 22-55-4012 | | -- Intake Valve Control, Pull Rod, 1/4 Turn, AKR - IC | 1 |
| 23-02-1300 | | -- Tank Fill/Cooling Line, Water Tank, 2" | 1 |
| 24-62-1200 | | -- Valve, AKR, 8000, (2") | 1 |
| 22-55-4012 | | -- Intake Valve Control, Pull Rod, 1/4 Turn, AKR - IC | 1 |
| 20-30-3100 | | -- Pump Installation, Midship Split-Shaft, By Body Builder | 1 |
| 20-31-3600 | | Dump-Relief Valve, Suction Side, TFT A18 | 1 |
| 20-31-4100 | | Pump Cooler, Bypass-To-Tank, 3/8" | 1 |
| > 20-31-5100 | | Heat Exchanger, Engine, Hook-Up Only | 1 |
| 20-31-1000 | | -- Fire Pump Testing - Pumpers/Tankers | 1 |
| 20-31-1100 | | -- Pump Test, Pumper, UL | 1 |
| 20-31-1500 | | -- Pump Test, Label | 1 |
| 22-12-1100 | | Intake, Auxiliary, Gated, 2-1/2", NST, Left Side | 1 |
| 21-01-2500 | | -- Drain/Bleeder, IC Lift-Up, Manual 1/4 Turn | 1 |
| 22-41-1100 | | -- Plug, 2-1/2", Chrome Rocker Lug, w/Chain | 1 |
| 24-62-1250 | | -- Valve, AKR, 8000, (2-1/2") | 1 |
| 22-55-4050 | | -- Intake Valve Control, AKR, Manual Swing Type-Adjacent | 1 |
| 22-12-3100 | * | Intake, Auxiliary, Gated, 2-1/2", NST, Right Side | 1 |
| 21-01-2500 | | -- Drain/Bleeder, IC Lift-Up, Manual 1/4 Turn | 1 |
| 22-41-1100 | | -- Plug, 2-1/2", Chrome Rocker Lug, w/Chain | 1 |
| 24-62-1250 | | -- Valve, AKR, 8000, (2-1/2") | 1 |
| 22-55-4050 | | -- Intake Valve Control, AKR, Manual Swing Type-Adjacent | 1 |
| 22-13-3300 | * | Intake, Auxiliary, Gated, 4", Rear Right Side | 1 |
| 21-01-2500 | | -- Drain/Bleeder, IC Lift-Up, Manual 1/4 Turn | 1 |
| 22-41-1400 | | -- Plug, 4", Chrome Rocker Lug, w/Chain | 1 |
| 24-62-1400 | | -- Valve, AKR, 8000, (4"), Handwheel Actuator | 1 |
| 22-55-4400 | | -- Intake Valve Control, AKR, 4", Handwheel Actuator | 1 |
| 23-06-2200 | | -- Crosslay Discharges, (2) 1-1/2", Over Pump Panel, NST w/divider | 1 |
| 21-00-3504 | | -- FOAM Capable Discharge | 2 |
| 21-00-4000 | | -- 200-ft of 1-3/4-in Hose Capacity | 2 |
| 21-01-2500 | | -- Drain/Bleeder, IC Lift-Up, Manual 1/4 Turn | 2 |
| 24-61-1200 | | -- Valve, AKR, 8000, (2") | 2 |
| > 24-53-0020 | | -- Discharge Valve Control, Pull Rod, 1/4 Turn, SM, AKR - IC w/Gauge | 2 |
| 27-02-1500 | | -- Gauge, Discharge, IC, 2-1/2" (0-400 PSI), WF | 2 |
| 23-07-2100 | | -- Crosslay Discharge, (1) 2-1/2", Over Pump Panel, NST | 1 |
| 21-00-3504 | | -- FOAM Capable Discharge | 1 |
| 21-00-4024 | | -- 200-ft of 2-1/2-in Hose Capacity | 1 |
| 21-01-2500 | | -- Drain/Bleeder, IC Lift-Up, Manual 1/4 Turn | 1 |
| 24-61-1250 | | -- Valve, AKR, 8000, (2-1/2") | 1 |
| > 24-53-0020 | | -- Discharge Valve Control, Pull Rod, 1/4 Turn, SM, AKR - IC w/Gauge | 1 |
| 27-02-1500 | | -- Gauge, Discharge, IC, 2-1/2" (0-400 PSI), WF | 1 |
| 23-08-3900 | | -- Crosslay Cover, Alum, Cargo Web End Flaps | 1 |
| 23-08-5019 | | -- Crosslay Discharges, Over Pump Panel, Normal Height | 1 |
| 23-09-4100 | | Discharge, 2-1/2", Left Side, Pump Panel, NST | 1 |
| 21-00-3500 | | -- NON Foam Capable Discharge | 1 |
| 21-01-2500 | | -- Drain/Bleeder, IC Lift-Up, Manual 1/4 Turn | 1 |

| PART NO | S | DESCRIPTION | QTY |
|---|---|---|-----|
| 24-02-1200 | | -- Elbow, 2-1/2"F x 2-1/2" NST M, Chrome | 1 |
| 24-03-1400 | | -- Cap, 2-1/2", NST Chrome, Rocker Lug, w/Chain | 1 |
| 24-61-1250 | | -- Valve, AKR, 8000, (2-1/2") | 1 |
| > 24-53-0020 | | -- Discharge Valve Control, Pull Rod, 1/4 Turn, SM, AKR - IC w/Gauge | 1 |
| 27-02-1500 | | -- Gauge, Discharge, IC, 2-1/2" (0-400 PSI), WF | 1 |
| 23-10-4100 | | Discharge, 2-1/2", Right Side, Pump Panel, NST | 1 |
| 21-00-3500 | | -- NON Foam Capable Discharge | 1 |
| 21-01-2500 | | -- Drain/Bleeder, IC Lift-Up, Manual 1/4 Turn | 1 |
| 24-02-1200 | | -- Elbow, 2-1/2"F x 2-1/2" NST M, Chrome | 1 |
| 24-03-1400 | | -- Cap, 2-1/2", NST Chrome, Rocker Lug, w/Chain | 1 |
| 24-61-1250 | | -- Valve, AKR, 8000, (2-1/2") | 1 |
| > 24-53-0020 | | -- Discharge Valve Control, Pull Rod, 1/4 Turn, SM, AKR - IC w/Gauge | 1 |
| 27-02-1500 | | -- Gauge, Discharge, IC, 2-1/2" (0-400 PSI), WF | 1 |
| 23-10-5100 | | Discharge, 3" x 3"NST, Right Side, Pump Panel, NST | 1 |
| 21-00-3500 | | -- NON Foam Capable Discharge | 1 |
| 21-01-2500 | | -- Drain/Bleeder, IC Lift-Up, Manual 1/4 Turn | 1 |
| 24-02-2500 | | -- Elbow, LW Alum, 5" Storz x 3"F | 1 |
| 24-03-2200 | | -- Cap, LW Alum, 5" Storz, w/Cable SC-50 <i>-change to 4"?</i> | 1 |
| 24-61-1300 | | -- Valve, AKR, 8000, (3") | 1 |
| > 24-53-0300 | | -- Discharge Valve Control, Pull Rod, 1/4 Turn, SM, AKR Slow Close - IC w/Gauge | 1 |
| 27-02-1500 | | -- Gauge, Discharge, IC, 2-1/2" (0-400 PSI), WF | 1 |
| 24-11-3200 | | Monitor Discharge, 3", Over Midship Pump Enclosure, NPT | 1 |
| 21-00-3500 | | -- NON Foam Capable Discharge | 1 |
| 21-01-2500 | | -- Drain/Bleeder, IC Lift-Up, Manual 1/4 Turn | 1 |
| 24-61-1300 | | -- Valve, AKR, 8000, (3") | 1 |
| > 24-53-0300 | | -- Discharge Valve Control, Pull Rod, 1/4 Turn, SM, AKR Slow Close - IC w/Gauge | 1 |
| 27-02-1500 | | -- Gauge, Discharge, IC, 2-1/2" (0-400 PSI), WF | 1 |
| 24-13-4000 | | -- Monitor, AKR, GP Manual #3430 | 1 |
| 24-18-4150 | | -- Stacked Tips, P/N 3499, AKR, 3-1/2" NST | 1 |
| 24-18-4160 | | -- Stream Shaper, P/N 3485, 3-1/2" NST | 1 |
| 24-30-7000 | | Hose Reel, Hannay, Electric | 1 |
| 24-30-7002 | | -- Hose Reel, Painted Steel, Silver Gray | 1 |
| > 24-30-7012 | | -- Hose Reel, Mounted Above Pump, Right | 1 |
| 24-31-2100 | | -- Hose Reel, Rewind Control, Weatherproof Push Button | 1 |
| 24-32-1200 | | -- Discharge, Hose Reel, 1" | 1 |
| 21-01-2500 | | -- Drain/Bleeder, IC Lift-Up, Manual 1/4 Turn | 1 |
| 24-32-1700 | | -- Discharge, Hose Reel, Plumbed to Normal Pressure | 1 |
| 24-61-1100 | | -- Valve, AKR, 8000, (1") | 1 |
| > 24-53-0020 | | -- Discharge Valve Control, Pull Rod, 1/4 Turn, SM, AKR - IC w/Gauge | 1 |
| 27-02-1500 | | -- Gauge, Discharge, IC, 2-1/2" (0-400 PSI), WF | 1 |
| 24-33-1700 | | -- Hose, Water, 800#, 1-in x 150-ft, Three (3) 50-ft Lengths | 1 |
| 24-33-9100 | | -- Roller, Hose Reel, LH Side | 1 |
| 24-33-9200 | | -- Roller, Hose Reel, RH Side | 1 |
| > 25-06-1100 | | -- Foam System, F/PRO 1600, Class A, 1.7G, 12V | 1 |
| 25-20-1200 | | -- Foam Plumbing, Single Class A Tank, 1" Manual Valve | 1 |
| 25-21-1300 | | -- Foam Tank, Integral Poly, 20 Gallon, Class A | 1 |
| 25-22-9350 | | -- Foam Tank, G3 | 1 |
| 25-23-1000 | | -- Foam Tank Drain, 1" Gate Valve, Under Tank | 1 |
| 25-19-9000 | | -- Foam System, NFPA #1900, Install Standards | 1 |
| == Pumper/Tanker-Side Mount Pump Compt - 401.025 04/01/25 == | | | |

| PART NO | S | DESCRIPTION | QTY |
|--------------|---|--|-----|
| > 26-02-2300 | | Pump Enclosure, Side Mount, Extruded Alum, 50-59"W, Crosslays | 1 |
| 26-10-2100 | | Dunnage, Open, Over Pump, SM Pump Enclosure | 1 |
| 26-30-1100 | | Running Board, LH Pump Panel, Alum T/P, SM | 1 |
| 26-30-5100 | | -- Hosewell, Running Board, Pump Panel, LH (Floating) | 1 |
| 26-30-6200 | | -- Hosewell, Running Board, Velcro Straps, | 1 |
| 26-30-1150 | | Running Board, RH Pump Panel, Alum T/P, SM | 1 |
| 26-30-5300 | | -- Hosewell, Running Board, Pump Panel, RH (Floating) | 1 |
| 26-30-6200 | | -- Hosewell, Running Board, Velcro Straps, | 1 |
| 26-31-1300 | | Pump Side Access Door, Upper RH, SST | 1 |
| 26-35-3200 | | Pump Panel, SST, LH/RH, SM | 1 |
| 26-35-1100 | | -- Pump Panel, Bolted, LH | 1 |
| 26-35-1200 | | -- Pump Panel, Bolted, RH | 1 |
| 26-55-1100 | | Labels, Test Data and Safety Placards | 1 |
| 26-55-2400 | | Labels, Innovative Controls Color Coded | 1 |
| 26-56-1125 | | Pump Panel LED Lights, (3) Tecniq E10-W0001-1, Midship LH w/Switch on Operator P | 1 |
| 26-56-1225 | | Pump Panel LED Lights (2), Midship RH, Tecniq E10-W0001-1 | 1 |
| 26-56-2000 | | Pump Panel Light (1), Actuated w/Pump Engagement | 1 |
| > 27-01-2620 | | -- Master Gauges BEZEL Assembly w/Test Taps, IC, 4" PSI(400) #3001496-40401-40401 | 1 |
| 27-35-4024 | | Water/Foam Gauge, IC, 10-LED Dual Display , Pump Panel (Straight) 3030359-04 | 1 |
| 27-35-6104 | | -- Water Tank Gauge, Whelen PS TANK2 LED, Level Lights, Pair, IC | 1 |
| 27-35-6502 | | -- Mounting Location, Front Body Corners == SA HLHD/HRHD Pumper/Tanker - 401.025 04/01/25 == | 1 |
| 47-01-0500 | | G3 Water Tank, Base Specs | 1 |
| 47-01-1000 | | -- Water Tank, 1000-Gallon | 1 |
| 47-01-1900 | | -- Water Tank, "T" Tank | 1 |
| 47-01-2000 | | -- Water Tank, Installation | 1 |
| 29-10-1000 | | Hosebed, Grating, Extruded Alum, <180" Long | 1 |
| 29-10-5100 | | -- Hosebed Storage Capacity, 55 Cubic Feet, Minimum | 1 |
| 29-10-8100 | | Hosebed Divider, 1/4" Alum | 2 |
| 29-10-8300 | | -- Hosebed Divider, Handhole Cutouts | 2 |
| 29-20-2000 | | Hosebed Cover, Vinyl, <180" L, <74" W, Velcro | 1 |
| 29-20-5602 | | -- Vinyl Color, BLACK | 1 |
| 30-01-1800 | | Body Construction - Rosenbauer FX - 1/8" Alum - SA Pumper/Tanker | 1 |
| 30-01-2250 | | -- Electrolysis Corrosion Control | 1 |
| 30-02-2200 | | -- Smooth Alum Compt Floors | 1 |
| 30-10-1100 | | -- Sub-Frame, Hot-Dip Galv SA | 1 |
| 30-10-1010 | | -- Sub-Frame, Hot-Dip Galv (Design Notice) | 1 |
| 31-01-1100 | | -- Body, Formed Alum, Pumper/Tanker, Up to 144" | 1 |
| 44-06-2200 | | -- Wheel Well Panel, Alum Painted, Single Axle - Alum | 1 |
| 44-06-4100 | | -- Fenderette, Polished Aluminum | 1 |
| 31-01-2137 | | 102" OAW, 16-26" Half Depth Both Sides, SA HL/HR | 1 |
| 29-00-1200 | | -- Hosebed, Pumper, <180" L, 68" Wide | 1 |
| > 32-03-0070 | | -- Compt Height, 72" High Left | 1 |
| > 32-03-1070 | | -- Compt Height, 72" High Right | 1 |
| 32-04-1430 | | Hinged/Roll Up Combination, HL/HR | 1 |
| 30-02-1100 | | -- Doors, Hinged Specs | 1 |
| > 30-02-1105 | | -- Door Handle, Maltese Cross D-Ring, Hinged Doors | 6 |
| > 30-02-1150 | | -- Roll-Up Doors - ROM Mfg | 1 |
| 30-02-1230 | | -- Door Finish Natural | 1 |
| 32-05-1115 | | -- Ahead Rear Wheels - Full Height Comp't - Hinge Double Doors | 1 |

| PART NO | S | DESCRIPTION | QTY |
|------------|---|---|-----|
| 44-40-1100 | | -- Vents, Compts, Louvers, Includes Filters (Ea) | 1 |
| 45-01-1050 | | -- Shelving Tracks, (2) Unistrut, Alum, Vertical | 1 |
| 45-02-1200 | | -- Shelf, Adjust, Alum 1/8" | 1 |
| 45-30-1300 | | -- Turtle Tile, Shelves/Trays, (each) | 1 |
| 45-30-1400 | | -- Turtle Tile, Compartment Floor | 1 |
| 55-01-3397 | | -- Wall Light, OSS Access, LED Tube Light, (1) Ea Compartment | 1 |
| 55-06-1100 | | -- Compartment Light, Door Switch, Auto, Ea | 1 |
| 32-05-1310 | | -- Upper High Side - Single Comp't - Hinge Lift Up | 1 |
| 44-40-1100 | | -- Vents, Compts, Louvers, Includes Filters (Ea) | 1 |
| 45-01-1050 | | -- Shelving Tracks, (2) Unistrut, Alum, Vertical | 1 |
| 45-18-1100 | | -- Tool Board, Swing Out, 250#, 3/16" Alum | 1 |
| 45-30-1400 | | -- Turtle Tile, Compartment Floor | 1 |
| 55-01-3398 | | -- Wall Light, OSS Access, LED Tube Light, (2) Ea Compartment | 1 |
| 55-06-1100 | | -- Compartment Light, Door Switch, Auto, Ea | 1 |
| 32-05-1715 | | -- Behind Rear Wheels - Full Height Comp't - Hinge Double Door | 1 |
| 44-40-1100 | | -- Vents, Compts, Louvers, Includes Filters (Ea) | 1 |
| 45-01-1050 | | -- Shelving Tracks, (2) Unistrut, Alum, Vertical | 1 |
| 45-02-1200 | | -- Shelf, Adjust, Alum 1/8" | 1 |
| 45-30-1300 | | -- Turtle Tile, Shelves/Trays, (each) | 1 |
| 45-05-1100 | | -- Slide Tray, 250#, Alum 1/8", Full Extension | 1 |
| 45-30-1300 | | -- Turtle Tile, Shelves/Trays, (each) | 1 |
| 45-30-1400 | | -- Turtle Tile, Compartment Floor | 1 |
| 55-01-3397 | | -- Wall Light, OSS Access, LED Tube Light, (1) Ea Compartment | 1 |
| 55-06-1100 | | -- Compartment Light, Door Switch, Auto, Ea | 1 |
| 32-06-1115 | | -- Ahead Rear Wheels - Full Height Comp't - Hinge Double Door | 1 |
| 44-40-1100 | | -- Vents, Compts, Louvers, Includes Filters (Ea) | 1 |
| 45-01-1050 | | -- Shelving Tracks, (2) Unistrut, Alum, Vertical | 1 |
| 45-02-1200 | | -- Shelf, Adjust, Alum 1/8" | 1 |
| 45-30-1300 | | -- Turtle Tile, Shelves/Trays, (each) | 1 |
| 45-30-1400 | | -- Turtle Tile, Compartment Floor | 1 |
| 55-01-3397 | | -- Wall Light, OSS Access, LED Tube Light, (1) Ea Compartment | 1 |
| 55-06-1100 | | -- Compartment Light, Door Switch, Auto, Ea | 1 |
| 32-06-1410 | | -- Upper High Side - Single Comp't - Hinge Lift Up Door | 1 |
| 44-40-1100 | | -- Vents, Compts, Louvers, Includes Filters (Ea) | 1 |
| 45-01-1050 | | -- Shelving Tracks, (2) Unistrut, Alum, Vertical | 1 |
| 45-18-1100 | | -- Tool Board, Swing Out, 250#, 3/16" Alum | 1 |
| 45-30-1400 | | -- Turtle Tile, Compartment Floor | 1 |
| 55-01-3398 | | -- Wall Light, OSS Access, LED Tube Light, (2) Ea Compartment | 1 |
| 55-06-1100 | | -- Compartment Light, Door Switch, Auto, Ea | 1 |
| 32-06-1715 | | -- Behind Rear Wheels - Full Height Comp't - Hinge Double Doors | 1 |
| 44-40-1100 | | -- Vents, Compts, Louvers, Includes Filters (Ea) | 1 |
| 45-01-1050 | | -- Shelving Tracks, (2) Unistrut, Alum, Vertical | 1 |
| 45-02-1200 | | -- Shelf, Adjust, Alum 1/8" | 1 |
| 45-30-1300 | | -- Turtle Tile, Shelves/Trays, (each) | 1 |
| 45-05-3100 | | -- Slide Tray, 250#, Alum 3/16" | 1 |
| 45-30-1400 | | -- Turtle Tile, Compartment Floor | 1 |
| 55-01-3397 | | -- Wall Light, OSS Access, LED Tube Light, (1) Ea Compartment | 1 |
| 55-06-1100 | | -- Compartment Light, Door Switch, Auto, Ea | 1 |
| 33-60-1100 | | Rear Body - Flat Back | 1 |
| 32-08-0210 | | -- Rear Center Comp't - Full Height Roll Up/Trans- Natural Finish | 1 |
| 44-40-1100 | | -- Vents, Compts, Louvers, Includes Filters (Ea) | 1 |
| 45-01-1050 | | -- Shelving Tracks, (2) Unistrut, Alum, Vertical | 1 |
| 45-02-1200 | | -- Shelf, Adjust, Alum 1/8" | 1 |

| PART NO | S | DESCRIPTION | QTY |
|---|---|--|-----|
| 45-30-1300 | | -- Turtle Tile, Shelves/Trays, (each) | 1 |
| 45-05-3100 | | -- Slide Tray, 250#, Alum 3/16" | 1 |
| 45-30-1400 | | -- Turtle Tile, Compartment Floor | 1 |
| 55-01-3397 | | -- Wall Light, OSS Access, LED Tube Light, (1) Ea Compartment | 1 |
| 55-06-1100 | | -- Compartment Light, Door Switch, Auto, Ea | 1 |
| 33-61-1300 | | -- Rear Step 30-Degree Angle - Pumper/Tanker Body - Bolt-On - 12" | 1 |
| 90-02-3500 | | Ladder Storage, Vertical Slide In, Passenger Rear Body | 1 |
| 90-02-2920 | | -- Compartment Door, Smooth, With Chevron | 1 |
| 90-03-0226 | | -- Ladders, Ground, Provided By Rosenbauer | 1 |
| 90-03-3200 | | -- Ladder, Roof, Duo-Safety, 12' Aluminum 775-A | 1 |
| 90-06-4600 | | -- Ladder, Extension, Duo-Safety, 24' Aluminum, 2 Section 900-A | 1 |
| 90-08-2600 | | -- Ladder, Attic, Duo-Safety, 10' Aluminum, Folding 585-A | 1 |
| 90-03-0236 | | -- Ladders, Folding Attic, Provided By Rosenbauer | 1 |
| 90-02-5310 | | Ladder Mounting, Folding Attic, Internal | 1 |
| 90-03-0225 | | Ladders, Ground, Provided By Rosenbauer | 1 |
| 90-16-5200 | | Pike Pole Mounting Tube, Internal, Ea | 2 |
| 90-16-6100 | | Pike Poles - Provided by Rosenbauer | 1 |
| 90-16-2300 | | -- Pike Pole, 6' Fiberglass, Round Handle, PLY-6AH-B | 1 |
| 90-16-2800 | | -- Pike Pole, 10' Fiberglass, Round Handle, PLY-10AH-B | 1 |
| 90-25-7100 | | Suction Hose Tray, Driver Side Over Compts (Ea) | 1 |
| 90-25-7200 | | Suction Hose Tray, Passenger Side Over Compts (Ea) | 1 |
| > 90-25-9115 | | Suction Hose Provided By, Rosenbauer | 1 |
| > 90-25-3120 | | -- Suction Hose, Flex, Kochek PVC, 6"x10' | 2 |
| 90-25-6100 | | -- Suction Hose Couplings, Aluminum, LH FM x RLM | 2 |
| == Pumper/Tanker-Common Body Parts - 401.025 04/01/25 == | | | |
| > 33-62-9006 | | -- Left Front Steps | 1 |
| 33-62-9110 | | -- Step - Folding - Black - Integral LED Lights | 4 |
| > 33-62-9008 | | -- Right Front Steps | 1 |
| 33-62-9110 | | -- Step - Folding - Black - Integral LED Lights | 1 |
| 33-70-3600 | | -- Handrails, Pumper, Top of Body Sides, Front, 12", Pair | 1 |
| 44-01-1450 | | -- Body Trim, Front Compt, Height of Side Compts, Alum T/P | 1 |
| > 44-01-6000 | | -- Catwalks, Top of Side Compts, Door Header, Alum Treadplate | 1 |
| 44-01-4000 | | -- Body Trim, Entire Rear Body, Smooth for Chevron Stripe | 1 |
| > 33-62-9000 | | -- Left Rear Steps | 1 |
| 33-62-9110 | | -- Step - Folding - Black - Integral LED Lights | 4 |
| > 33-62-9002 | | -- Right Rear Steps | 1 |
| 33-62-9110 | | -- Step - Folding - Black - Integral LED Lights | 1 |
| 33-70-1400 | | -- Handrails, Rear Step, Vertical, 60" Pair | 1 |
| 33-70-2200 | | -- Handrails, Pumper, Below Hosebed, Horizontal, up to 60" | 1 |
| 33-70-3700 | | -- Handrails, Pumper, Top of Hosebed Sides, Rear, 12", Pair | 1 |
| 44-02-1100 | | -- Rub Rails, Lower Body, Extruded Alum | 1 |
| 44-02-2000 | | -- Rub Rails, Spacers, Nylon | 1 |
| 44-11-5100 | | Wheel Well Provisions, Ahead of Wheels Left Side | 1 |
| < > 44-10-9148 | | -- Wheel Well Provisions, Single SCBA, Poly Tube, SST Door, (Fire Shopp) | 1 |
| SHOP NOTE: | | | |
| 7.75" diameter opening | | | |
| 101 body 25" deep | | | |
| 98 body 24.50" deep | | | |
| 95 body 23" deep | | | |
| RSD Timberwolf 100 wide body 26.50" deep | | | |

| PART NO | S | DESCRIPTION | QTY |
|----------------|---|---|-----|
| 44-10-6000 | | -- Wheel Well Provisions, SCBA Compt Straps | 1 |
| 44-11-5300 | | Wheel Well Provisions, Behind Wheels Left Side | 1 |
| < > 44-10-9148 | | -- Wheel Well Provisions, Single SCBA, Poly Tube, SST Door, (Fire Shopp) | 1 |
| | | SHOP NOTE: 7.75" diameter opening 101 body 25" deep 98 body 24.50" deep 95 body 23" deep RSD Timberwolf 100 wide body 26.50" deep | |
| 44-10-6000 | | -- Wheel Well Provisions, SCBA Compt Straps | 1 |
| 44-11-5500 | | Wheel Well Provisions, Ahead of Wheels Right Side | 1 |
| < > 44-10-9148 | | -- Wheel Well Provisions, Single SCBA, Poly Tube, SST Door, (Fire Shopp) | 1 |
| | | SHOP NOTE: 7.75" diameter opening 101 body 25" deep 98 body 24.50" deep 95 body 23" deep RSD Timberwolf 100 wide body 26.50" deep | |
| 44-10-6000 | | -- Wheel Well Provisions, SCBA Compt Straps | 1 |
| 44-11-5700 | | Wheel Well Provisions, Behind Wheels Right Side | 1 |
| < > 44-10-9148 | | -- Wheel Well Provisions, Single SCBA, Poly Tube, SST Door, (Fire Shopp) | 1 |
| | | SHOP NOTE: 7.75" diameter opening 101 body 25" deep 98 body 24.50" deep 95 body 23" deep RSD Timberwolf 100 wide body 26.50" deep | |
| 44-10-6000 | | -- Wheel Well Provisions, SCBA Compt Straps | 1 |
| 60-17-0001 | | == Pumper/Tanker-AC Electrical System - 401.025 04/01/25 == | 1 |
| 80-22-1504 | | Body Paint, Single Axle, Pumper/Tanker - Single Color | 1 |
| < > 80-06-1100 | | -- Apparatus Color | 1 |
| | | SHOP NOTE: The apparatus shall be ____ in color. | |
| 80-30-1200 | | Compt Finish, Spatter Coat, Up to 8 Compts | 1 |
| 80-40-1200 | | Wheels, Paint, By Chassis Manufacturer | 1 |
| 80-42-1600 | | Body Paint, Touch Up, 2 oz. Bottle, Two Colors | 1 |
| 80-44-1400 | | Undercoating, Body, Single Axle | 1 |
| 80-50-1200 | | Lettering Supplied by Purchaser | 1 |
| > 80-71-1600 | | Stripe, Triple Reflective, 1" x 6" x 1" Large "Z" Design | 1 |
| > 80-75-1100 | | -- Reflective Stripe Material, Black | 1 |

| PART NO | S | DESCRIPTION | QTY |
|----------------|---|---|-----|
| > 80-72-1100 | | Stripe, Reflective 3M, Chevron Pattern Entire Rear, Body Only | 1 |
| 80-75-1500 | | -- Reflective Stripe Material, Red | 1 |
| > 80-75-1100 | | -- Reflective Stripe Material, Black | 1 |
| > 80-72-1800 | | Stripe, Reflect, Chevron Pattern, Rear Roll Up Door | 1 |
| 80-75-1500 | | -- Reflective Stripe Material, Red | 1 |
| > 80-75-1100 | | -- Reflective Stripe Material, Black | 1 |
| < > 80-72-2030 | | Stripe, Reflective, Cab Door Interiors | 1 |
| | | SHOP NOTE: | |
| | | Commercial Cab | |
| 80-79-1000 | | NFPA Standing / Walking Surfaces Yellow Safety Tape (NFPA 1901 15.7.1.6) | 1 |
| | | == Pumper/Tanker - Loose Equipment - 401.025 04/01/25 == | |
| > 90-01-5900 | | Wheel Chocks Pair Zico #SAC-44 Folding w/ Mounts | 1 |

Prepared For :
 Haylie Tysdal
 ROSENBAUER AMERICA BB
 100 3RD ST
 LYONS, SD 57041
 UNITED STATES
 Phone :605-543-9619

Prepared by:
 Carolyn LeBeau
 I-STATE TRUCK CENTER
 2901 WEST 60TH STREET N.
 SIOUX FALLS, SD 57107
 Phone :605-336-2995
 Mobile:
 E-Mail :carolyn.lebeau@istatetruck.com

SPECIFICATION PROPOSAL

| Description | Weight Front | Weight Rear |
|---|--------------|-------------|
| Price Level | | |
| M2 PRL-30M (EFF:MY27 ORDERS) | | |
| Data Version | | |
| SPECPRO21 DATA RELEASE VER 027 | | |
| Vehicle Configuration | | |
| M2 106 PLUS CONVENTIONAL CHASSIS | 5,709 | 3,450 |
| 2027 MODEL YEAR SPECIFIED | | |
| SET BACK AXLE - TRUCK | | |
| STRAIGHT TRUCK PROVISION, NON-TOWING | | |
| LH PRIMARY STEERING LOCATION | | |
| General Service | | |
| TRUCK CONFIGURATION | | |
| DOMICILED, USA (EXCLUDING CALIFORNIA AND CARB OPT-IN STATES) | | |
| EPA CLEAN IDLE LABEL - (INCLUDES 6X4 INCH LABEL SHIPPED LOOSE) | | |
| FIRE SERVICE | | |
| EMERGENCY VEHICLES BUSINESS SEGMENT | | |
| LIQUID BULK COMMODITY | | |
| TERRAIN/DUTY: 100% (ALL) OF THE TIME, IN TRANSIT, IS SPENT ON PAVED ROADS | | |
| MAXIMUM 8% EXPECTED GRADE | | |
| SMOOTH CONCRETE OR ASPHALT PAVEMENT - MOST SEVERE IN-TRANSIT (BETWEEN SITES) ROAD SURFACE | | |
| MEDIUM TRUCK WARRANTY | | |
| EXPECTED FRONT AXLE(S) LOAD 14600.0 lbs | | |
| EXPECTED REAR DRIVE AXLE(S) LOAD 26000.0 lbs | | |



Prepared For:
 Haylie Tysdal
 ROSENBAUER AMERICA BB
 100 3RD ST
 LYONS, SD 57041
 UNITED STATES
 Phone: 605-543-9619

Prepared by:
 Carolyn LeBeau
 I-STATE TRUCK CENTER
 2901 WEST 50TH STREET N.
 SIOUX FALLS, SD 57107
 Phone: 605-336-2995
 Mobile:
 E-Mail: carolyn.lebeau@statetruck.com

| Description | Weight Front | Weight Rear |
|--|--------------|-------------|
| EXPECTED GROSS VEHICLE WEIGHT CAPACITY 40600.0 lbs | | |

Truck Service

FIRE TANK/PUMPER - MAIN DRIVELINE DRIVEN SPLIT-SHAFT PTO/PUMP
 ROSENBAUER

EXPECTED BODY/PAYLOAD CG HEIGHT ABOVE FRAME "XX" INCHES 32.0 in

Engine

| | | |
|--|-----|----|
| CUM L9 360EV HP @ 2200 RPM, 2200 GOV RPM, 1150 LB-FT @ 1200 RPM, R/F/E | 640 | 30 |
|--|-----|----|

Electronic Parameters

- 68 MPH ROAD SPEED LIMIT
- CRUISE CONTROL SPEED LIMIT SAME AS ROAD SPEED LIMIT
- PTO MODE ENGINE RPM LIMIT - 1250 RPM
- PTO ENGINE SPEED CONTROL DEACTIVATED BY SERVICE BRAKE LIGHTLY APPLIED (STATIONARY APPLICATIONS)
- PTO RPM CONTROL WITH STEERING WHEEL SWITCHES
- PTO MODE CANCEL VEHICLE SPEED - 15 MPH
- PTO GOVERNOR RAMP RATE - 500 RPM PER SECOND
- FUEL DOSING OF AFTERTREATMENT ENABLED IN PTO MODE-CLEANS HYDROCARBONS AT HIGH TEMPERATURES ONLY
- CRUISE CONTROL BUTTON PTO CONTROL AND ONE REMOTE PTO SPEED
- PTO SPEED 1 SETTING - 1200 RPM
- PTO MINIMUM RPM - 775
- REGEN INHIBIT SPEED THRESHOLD - 5 MPH
- PTO 1, NO SWITCH, TEM SUPPLIED REQUEST AND INTERLOCKS, WITH PTO CONNECTIONS, ENGAGE BEFORE DRIVING INTERLOCK
- PTO 2, NO SWITCH, TEM SUPPLIED REQUEST AND INTERLOCKS, WITH PTO CONNECTIONS, ENGAGE BEFORE DRIVING INTERLOCKS



Prepared For
 Haylie Tysdal
 ROSENBAUER AMERICA BB
 100 3RD ST
 LYONS, SD 57041
 UNITED STATES
 Phone :605-543-9619

Prepared by
 Carolyn LeBeau
 I-STATE TRUCK CENTER
 2901 WEST 60TH STREET N.
 SIOUX FALLS, SD 57107
 Phone :605-336-2995
 Mobile:
 E-Mail :carolyn.lebeau@istatetruck.com

| Description | Weight Front | Weight Rear |
|--|--------------|-------------|
| Engine Equipment | | |
| EPA 2010/GHG 2024 CONFIGURATION | | |
| STANDARD OIL PAN | | |
| ENGINE MOUNTED OIL CHECK AND FILL | | |
| SIDE OF HOOD AIR INTAKE WITH NFPA COMPLIANT EMBER SCREEN AND FIRE RETARDANT DONALDSON AIR CLEANER | | |
| DR 12V 300 AMP 40-SI BRUSHLESS PAD MOUNT ALTERNATOR WITH REMOTE BATTERY VOLTAGE SENSE | | |
| (2) DTNA GENUINE, FLOODED STARTING, MIN 2000CCA, 370RC, THREADED STUD BATTERIES | 10 | |
| BATTERY BOX FRAME MOUNTED | | |
| STANDARD BATTERY JUMPERS | | |
| SINGLE BATTERY BOX FRAME MOUNTED LH SIDE UNDER CAB | | |
| WIRE GROUND RETURN FOR BATTERY CABLES WITH ADDITIONAL FRAME GROUND RETURN | | |
| NON-POLISHED BATTERY BOX COVER | | |
| NON-ESSENTIAL POSITIVE LOAD DISCONNECT, IN CAB CONTROL SWITCH MOUNTED OUTBOARD OF DRIVER SEAT | 2 | |
| POSITIVE AND NEGATIVE POSTS FOR JUMPSTART LOCATED ON FRAME NEXT TO STARTER | 2 | |
| PROGRESSIVE LOW VOLTAGE DISCONNECT AT 12.3 VOLTS FOR DESIGNATED CIRCUITS | 2 | |
| CUMMINS TURBOCHARGED 18.7 CFM AIR COMPRESSOR WITH INTERNAL SAFETY VALVE | | |
| STANDARD MECHANICAL AIR COMPRESSOR GOVERNOR | | |
| AIR COMPRESSOR DISCHARGE LINE | | |
| GVG, FIRE AND EMERGENCY SERVICE VEHICLES ENGINE WARNING | | |
| C-BRAKE BY JACOBS WITH HIGH MED LOW BRAKE WITH BRAKE LAMPS | 80 | |
| RH OUTBOARD UNDER STEP MOUNTED HORIZONTAL AFTERTREATMENT SYSTEM ASSEMBLY WITH RH HORIZONTAL TAILPIPE EXITING FORWARD OF REAR | 10 | 5 |



Prepared For
 Hayle Tysdal
 ROSENBAUER AMERICA BB
 100 3RD ST
 LYONS, SD 57041
 UNITED STATES
 Phone :605-543-9619

Prepared by
 Carolyn LeBeau
 I-STATE TRUCK CENTER
 2901 WEST 60TH STREET N.
 SIOUX FALLS, SD 57107
 Phone :605-336-2995
 Mobile
 E-Mail :carolyn.lebeau@istatetruck.com

| Description | Weight Front | Weight Rear |
|--|--------------|-------------|
| TIRES | | |
| ENGINE AFTERTREATMENT DEVICE, AUTOMATIC OVER THE ROAD ACTIVE REGENERATION AND VIRTUAL REGENERATION REQUEST SWITCH IN CLUSTER AND DASH MOUNTED INHIBIT SWITCH | | |
| STANDARD EXHAUST SYSTEM LENGTH | | |
| RH HORIZONTAL TAILPIPE, EXIT FORWARD OF REAR TIRES | 20 | 20 |
| 6 GALLON DIESEL EXHAUST FLUID TANK | | |
| 100 PERCENT DIESEL EXHAUST FLUID FILL | | |
| LH UNDER CAB DIESEL EXHAUST FLUID TANK LOCATION | | |
| STANDARD DIESEL EXHAUST FLUID PUMP MOUNTING | | |
| STANDARD DIESEL EXHAUST FLUID TANK CAP | | |
| NO MUFFLER/TAILOPIPE SHIELD | -10 | |
| AIR POWERED ON/OFF ENGINE FAN CLUTCH | | |
| AUTOMATIC FAN CONTROL WITH DASH SWITCH AND INDICATOR LIGHT, NON ENGINE MOUNTED | | |
| CUMMINS SPIN ON FUEL FILTER | | |
| COMBINATION FULL FLOW/BYPASS OIL FILTER | | |
| NO COOLANT FILTER | -10 | |
| 1100 SQUARE INCH ALUMINUM RADIATOR | 70 | |
| ANTIFREEZE TO -60F, OAT (NITRITE AND SILCATE FREE) EXTENDED LIFE COOLANT | | |
| GATES BLUE STRIPE COOLANT HOSES OR EQUIVALENT | | |
| CONSTANT TENSION HOSE CLAMPS FOR COOLANT HOSES | | |
| AUXILIARY ENGINE COOLING USING WATER FROM FIRE PUMP | | |
| LOWER RADIATOR GUARD | | |
| ALUMINUM FLYWHEEL HOUSING | | |



Prepared For
 Hayle Tysdal
 ROSENBAUER AMERICA EG
 100 3RD ST
 LYONS, SD 57041
 UNITED STATES
 Phone 605-543-9619

Prepared by
 Carolyn LeBeau
 I-STATE TRUCK CENTER
 2301 WEST 60TH STREET N.
 SIOUX FALLS, SD 57107
 Phone 605-336-2995
 Mobile
 E-Mail: carolyn.lebeau@istatetruck.com

| Description | Weight Front | Weight Rear |
|---|--------------|-------------|
| ELECTRIC GRID AIR INTAKE WARMER | | |
| DELCO 12V 38MT HD STARTER WITH INTEGRATED MAGNETIC SWITCH | | |

Transmission

| | | |
|--|-----|----|
| ALLISON 3000 EVS AUTOMATIC TRANSMISSION WITH PTO PROVISION | 200 | 60 |
|--|-----|----|

Transmission Equipment

ALLISON VOCATIONAL PACKAGE 198 - AVAILABLE ON 3000/4000 PRODUCT FAMILIES WITH VOCATIONAL MODEL EVS

ALLISON VOCATIONAL RATING FOR FIRE TRUCK/EMERGENCY VEHICLE APPLICATIONS AVAILABLE WITH ALL PRODUCT FAMILIES

PRIMARY MODE GEARS, LOWEST GEAR 1, START GEAR 1, HIGHEST GEAR 5, AVAILABLE FOR 3000/4000 PRODUCT FAMILIES ONLY

SECONDARY MODE GEARS, LOWEST GEAR 1, START GEAR 1, HIGHEST GEAR 5, AVAILABLE FOR 3000/4000 PRODUCT FAMILIES ONLY

PRIMARY SHIFT SCHEDULE RECOMMENDED BY DTNA AND ALLISON, THIS DEFINED BY ENGINE AND VOCATIONAL USAGE

SECONDARY SHIFT SCHEDULE RECOMMENDED BY DTNA AND ALLISON, THIS DEFINED BY ENGINE AND VOCATIONAL USAGE

PRIMARY SHIFT SPEED RECOMMENDED BY DTNA AND ALLISON, THIS DEFINED BY ENGINE AND VOCATIONAL USAGE

SECONDARY SHIFT SPEED RECOMMENDED BY DTNA AND ALLISON, THIS DEFINED BY ENGINE AND VOCATIONAL USAGE

ENGINE BRAKE RANGE PRESELECT RECOMMENDED BY DTNA AND ALLISON, THIS DEFINED BY ENGINE AND VOCATIONAL USAGE

ENGINE BRAKE RANGE ALTERNATE PRESELECT RECOMMENDED BY DTNA AND ALLISON, THIS DEFINED BY ENGINE AND VOCATIONAL USAGE

PUMP MODE INPUT ENABLED 3RD/4TH LOCKUP WIRED ON TCM INPUT AJ/BQ - ALLISON 5TH GEN TRANSMISSIONS

FUEL SENSE 2.0 DISABLED - PERFORMANCE - TABLE BASED

DRIVER SWITCH INPUT - DEFAULT - NO SWITCHES

QUICKFIT BODY LIGHTING CONNECTOR AT END OF



Prepared For:
 Haylie Tysdal
 ROSENBAUER AMERICA BB
 100 3RD ST
 LYONS, SD 57041
 UNITED STATES
 Phone 605-543-9619

Prepared by:
 Carolyn LeBeau
 I-STATE TRUCK CENTER
 2901 WEST 60TH STREET N.
 SIOUX FALLS, SD 57107
 Phone 605-336-2995
 Mobile:
 E-Mail carolyn.lebeau@istatetruck.com

| Description | Weight Front | Weight Rear |
|--|--------------|-------------|
| FRAME, WITH BLUNTCUTS | | |
| ELECTRONIC TRANSMISSION WIRING TO CUSTOMER INTERFACE CONNECTOR | | |
| (2) CUSTOMER INSTALLED MUNCIE CS10 SERIES PTO'S | | |
| PTO MOUNTING, LH SIDE AND TOP RH SIDE OF MAIN TRANSMISSION ALLISON | | |
| MAGNETIC PLUGS, ENGINE DRAIN, TRANSMISSION DRAIN, AXLE(S) FILL AND DRAIN | | |
| HEAVY DUTY ELECTRONIC TRANSMISSION SHIFT CONTROL, COLUMN MOUNTED | | |
| TRANSMISSION PROGNOSTICS - ENABLED 2013 | | |
| WATER TO OIL TRANSMISSION COOLER, IN RADIATOR END TANK | 15 | |
| TRANSMISSION OIL CHECK AND FILL WITH ELECTRONIC OIL LEVEL CHECK | | |
| ATF-SYNTHETIC AUTOMATIC TRANSMISSION FLUID | | |

Front Axle and Equipment

| | | |
|---|----|--|
| DETROIT DA-F-14.7-3 14,700# FF1 71.5 KPI/3.74 DROP SINGLE FRONT AXLE | 10 | |
| MERITOR 16.5X5 Q+ CAST SPIDER CAM FRONT BRAKES, DOUBLE ANCHOR, FABRICATED SHOES | | |
| FIRE AND EMERGENCY SEVERE SERVICE, NON-ASBESTOS FRONT LINING | | |
| CONMET CAST IRON FRONT BRAKE DRUMS | | |
| FRONT BRAKE DUST SHIELDS | 5 | |
| FRONT OIL SEALS | | |
| VENTED FRONT HUB CAPS WITH WINDOW, CENTER AND SIDE PLUGS - OIL | | |
| STANDARD SPINDLE NUTS FOR ALL AXLES | | |
| MERITOR AUTOMATIC FRONT SLACK ADJUSTERS | | |
| TRW TAS-85 POWER STEERING | 40 | |
| POWER STEERING PUMP | | |
| 2 QUART SEE THROUGH POWER STEERING RESERVOIR | | |



Prepared For
 Haylie Tysdal
 ROSENBAUER AMERICA BB
 100 3RD ST
 LYONS, SD 57041
 UNITED STATES
 Phone :605-543-9619

Prepared by
 Carolyn LeBeau
 I-STATE TRUCK CENTER
 2901 WEST 60TH STREET N
 SIOUX FALLS, SD 57107
 Phone :605-336-2995
 Mobile:
 E-Mail :carolyn.lebeau@istatetruck.com

| Description | Weight Front | Weight Rear |
|--|--------------|-------------|
| Front Suspension | | |
| CURRENT AVAILABLE SYNTHETIC 75W-90 FRONT AXLE LUBE | | |
| 14,600# TAPERLEAF FRONT SUSPENSION | 170 | |
| MAINTENANCE FREE RUBBER BUSHINGS - FRONT SUSPENSION | | |
| FRONT SHOCK ABSORBERS | | |
| Rear Axle and Equipment | | |
| MERITOR RS-26-185 26,000# T-SERIES SINGLE REAR AXLE | | 255 |
| 4.89 REAR AXLE RATIO | | |
| IRON REAR AXLE CARRIER WITH STANDARD AXLE HOUSING | | |
| MXL 17T MERITOR EXTENDED LUBE MAIN DRIVELINE WITH HALF ROUND YOKES | 20 | 20 |
| DRIVER CONTROLLED TRACTION DIFFERENTIAL - SINGLE REAR AXLE | | |
| (1) DRIVER CONTROLLED DIFFERENTIAL LOCK REAR VALVE FOR SINGLE DRIVE AXLE | | |
| INDICATOR LIGHT FOR EACH DIFFERENTIAL LOCKOUT SWITCH, ENGAGE AT SPEEDS 5MPH OR LESS, DISENGAGE W/IGN OFF | | |
| MERITOR 16.5X7 P CAST SPIDER CAM REAR BRAKES, DOUBLE ANCHOR, CAST SHOES | | 20 |
| FIRE AND EMERGENCY SEVERE SERVICE NON-ASBESTOS REAR BRAKE LINING | | |
| BRAKE CAMS AND CHAMBERS ON FORWARD SIDE OF DRIVE AXLE(S) | | |
| WEBB HEAVY WEIGHT CAST IRON REAR BRAKE DRUMS | | 80 |
| REAR BRAKE DUST SHIELDS | | 5 |
| REAR OIL SEALS | | |
| HALDEX GOLDSEAL LONGSTROKE 1-DRIVE AXLE SPRING PARKING CHAMBERS | | |
| HALDEX AUTOMATIC REAR SLACK ADJUSTERS | | |
| CURRENT AVAILABLE SYNTHETIC 75W-90 REAR AXLE LUBE | | |
| Rear Suspension | | |



Prepared For:
Haylie Tysdal
ROSENBAUER AMERICA BB
100 3RD ST
LYONS, SD 57041
UNITED STATES
Phone: 605-543-9619

Prepared by:
Carolyn LeBeau
I-STATE TRUCK CENTER
2901 WEST 60TH STREET N
SIOUX FALLS, SD 57107
Phone: 605-326-2995
Mobile:
E-Mail: carolyn.lebeau@istatetruck.com

| Description | Weight Front | Weight Rear |
|---|--------------|-------------|
| 26,000# FLAT LEAF SPRING REAR SUSPENSION WITH HELPER AND RADIUS ROD | | 170 |
| SPRING SUSPENSION - NO AXLE SPACERS | | |
| STANDARD AXLE SEATS IN AXLE CLAMP GROUP | | |
| FORE/AFT CONTROL RODS | | |

Pusher / Tag Equipment

NO PUSHER/TAG BRAKE DUST SHIELDS

Brake System

AIR BRAKE PACKAGE

WABCO 4S/4M ABS WITH TRACTION CONTROL WITH ATC SHUT OFF SWITCH

REINFORCED NYLON, FABRIC BRAID AND WIRE BRAID CHASSIS AIR LINES

STANDARD AIR MANAGEMENT UNIT

FIBER BRAID PARKING BRAKE HOSE

STANDARD BRAKE SYSTEM VALVES

STANDARD AIR SYSTEM PRESSURE PROTECTION SYSTEM

STD U.S. FRONT BRAKE VALVE

RELAY VALVE WITH 5-8 PSI CRACK PRESSURE, NO REAR PROPORTIONING VALVE

WABCO SYSTEM SAVER HP WITH INTEGRAL AIR GOVERNOR AND HEATER

AIR DRYER MOUNTED INBOARD ON LH RAIL

STEEL AIR TANKS MOUNTED AFT INSIDE AND/OR BELOW FRAME JUST FORWARD OF REAR SUSPENSION, NO TRIPLE OR TORPEDO TANKS

BW DV-2 AUTO DRAIN VALVE WITHOUT HEATER ON ALL TANK(S)

Trailer Connections

NO TRAILER AIR HOSE

NO AIR HOSE HANGER



Prepared For
 Haylie Tysdal
 ROSENBAUER AMERICA BB
 100 3RD ST
 LYONS, SD 57041
 UNITED STATES
 Phone: 605-543-9619

Prepared by:
 Carolyn LeBeau
 I-STATE TRUCK CENTER
 2901 WEST 60TH STREET N.
 SIOUX FALLS, SD 57107
 Phone: 605-336-2995
 Mobile:
 E-Mail: carolyn.lebeau@istatetruck.com

| Description | Weight Front | Weight Rear |
|-------------------------------|--------------|-------------|
| NO TRAILER RECEPTACLE BRACKET | | |
| NO TRAILER ELECTRICAL CABLE | | |

Wheelbase & Frame

| | | |
|--|-----|-----|
| 6175MM (243 INCH) WHEELBASE | | |
| 9.5MM X 83.5MM X 284.0MM STEEL FRAME (.37 X 3.29 X 11.18 INCH) 140 KSI | 440 | 160 |
| 1900MM (75 INCH) REAR FRAME OVERHANG | | |
| FRAME OVERHANG RANGE: 71 INCH TO 80 INCH | -20 | 80 |
| CALC'D BACK OF CAB TO REAR SUSP C/L (CA) 130.32 in | | |
| CALCULATED EFFECTIVE BACK OF CAB TO REAR SUSPENSION C/L (CA) 127.32 in | | |
| CALC'D FRAME LENGTH - OVERALL 347.3 in | | |
| CALCULATED FRAME SPACE LH SIDE 142.84 in | | |
| CALCULATED FRAME SPACE RH SIDE 97.7 in | | |
| CALC'D SPACE AVAILABLE FOR DECKPLATE 0.0 in | | |
| SQUARE END OF FRAME | | |
| FRONT CLOSING CROSSMEMBER | | |
| STANDARD WEIGHT ENGINE CROSSMEMBER | | |
| STANDARD CROSSMEMBER BACK OF TRANSMISSION | | |
| STANDARD MIDSHIP #1 CROSSMEMBER(S) | | |
| STANDARD REARMOST CROSSMEMBER | | |
| STANDARD SUSPENSION CROSSMEMBER | | |

Chassis Equipment

| | |
|--|----|
| THREE-PIECE 14 INCH CHROMED STEEL BUMPER WITH COLLAPSIBLE ENDS | 30 |
| FRONT TOW HOOKS - FRAME MOUNTED | 15 |
| BUMPER MOUNTING FOR SINGLE LICENSE PLATE | |



Prepared For :
 Haylie Tysdal
 ROSENBAUER AMERICA BB
 100 3RD ST
 LYONS, SD 57041
 UNITED STATES
 Phone :605-543-9619

Prepared by:
 Carolyn LeBeau
 I-STATE TRUCK CENTER
 2901 WEST 60TH STREET N.
 SIOUX FALLS, SD 57107
 Phone :605-336-2995
 Mobile:
 E-Mail :carolyn.lebeau@istatetruck.com

| Description | Weight Front | Weight Rear |
|---|--------------|-------------|
| NO MUDFLAP BRACKETS | | |
| NO REAR MUDFLAPS | | |
| FENDER AND FRONT OF HOOD MOUNTED FRONT MUDFLAPS | | |
| GRADE 8 THREADED HEX HEADED FRAME FASTENERS | | |
| EXTERIOR HARNESSSES WRAPPED IN ABRASION TAPE | | |
| 3D STEP VEHICLE MODEL | | |
| TANK BODY 0 TO 1500 GALLONS | | |
| CLEAR FRAME RAILS FROM BACK OF CAB TO FRONT REAR SUSPENSION BRACKET, BOTH RAILS OUTBOARD | | |
| Fifth Wheel | | |
| NO FIFTH WHEEL | | |
| Fuel Tanks | | |
| 50 GALLON/189 LITER SHORT RECTANGULAR ALUMINUM FUEL TANK - LH | 20 | |
| RECTANGULAR FUEL TANK(S) | | |
| PLAIN ALUMINUM/PAINTED STEEL FUEL/HYDRAULIC TANK(S) WITH PAINTED BANDS | | |
| FUEL TANK(S) FORWARD | | |
| PLAIN STEP FINISH | | |
| FUEL TANK CAP(S) | | |
| DETROIT FUEL/WATER SEPARATOR WITH WATER IN FUEL SENSOR | -5 | |
| EQUIFLO INBOARD FUEL SYSTEM | | |
| HIGH TEMPERATURE REINFORCED NYLON FUEL LINE | | |
| FUEL COOLER MOUNTED LEFT HAND IN RAIL | 10 | |
| Tires | | |
| MICHELIN XZE 12R22.5 16 PLY RADIAL FRONT TIRES | 50 | |
| MICHELIN XDN2 12R22.5 16 PLY RADIAL REAR TIRES | | 140 |



Prepared For :
 Haylie Tysdal
 ROSENBAUER AMERICA BB
 100 3RD ST
 LYONS, SD 57041
 UNITED STATES
 Phone :605-543-9619

Prepared by:
 Carolyn LeBeau
 I-STATE TRUCK CENTER
 2901 WEST 60TH STREET N.
 SIOUX FALLS, SD 57107
 Phone :605-336-2995
 Mobile:
 E-Mail :carolyn.lebeau@istatetruck.com

| Description | Weight Front | Weight Rear |
|---|--------------|-------------|
| Hubs | | |
| CONMET PRESET PLUS PREMIUM IRON FRONT HUBS | | |
| CONMET PRESET PLUS PREMIUM IRON REAR HUBS | | |
| Wheels | | |
| ALCOA 88167X 22.5X8.25 10-HUB 5.81 INSET ALUMINUM DISC FRONT WHEELS | -62 | |
| ALCOA 88167X 22.5X8.25 10-HUB PILOT ALUMINUM DISC REAR WHEELS | | -124 |
| POLISHED FRONT WHEELS; OUTSIDE ONLY | | |
| POLISHED REAR WHEELS; OUTSIDE OF OUTER WHEELS ONLY | | |
| FRONT WHEEL MOUNTING NUTS | | |
| REAR WHEEL MOUNTING NUTS | | |
| Cab Exterior | | |
| 154 INCH BBC HIGH-ROOF ALUMINUM CONVENTIONAL CREW CAB | 430 | 250 |
| AIR CAB MOUNTING | | |
| CAB ROOF REINFORCEMENTS FOR ROOF MOUNTED COMPONENTS | | |
| LH AND RH EXTERIOR GRAB HANDLES WITH SINGLE RUBBER INSERT | | |
| HOOD MOUNTED CHROMED PLASTIC GRILLE | | |
| CHROME HOOD MOUNTED AIR INTAKE GRILLE | | |
| FIBERGLASS HOOD | | |
| HOOD LINER, ADDED FIREWALL AND FLOOR HEAT INSULATION | 5 | |
| SINGLE ELECTRIC HORN | | |
| REAR LICENSE PLATE MOUNT END OF FRAME | | |
| LED LOW BEAM AND HIGH BEAM HEADLIGHTS WITH HEATED LENS AND CHROME BEZEL | | |
| LED AERODYNAMIC MARKER LIGHTS | | |
| HEADLIGHTS OFF WITH IGNITION OFF, WITH DAYTIME | | |



Prepared For
 Hayle Tysdal
 ROSENBAUER AMERICA BB
 100 3RD ST
 LYONS SD 57041
 UNITED STATES
 Phone 605-543-9619

Prepared by
 Carolyn LeBeau
 I-STATE TRUCK CENTER
 2901 WEST 60TH STREET N
 SIOUX FALLS, SD 57107
 Phone 605-336-2995
 Mobile:
 E-Mail carolyn.lebeau@statetruck.com

| Description | Weight Front | Weight Rear |
|---|--------------|-------------|
| RUNNING LIGHTS | | |
| OMIT STOP/TAIL/BACKUP LIGHTS AND PROVIDE WIRING WITH SEPARATE STOP/TURN WIRES TO 4 FEET BEYOND END OF FRAME | | -5 |
| STANDARD FRONT TURN SIGNAL LAMPS | | |
| AUTOMATIC ON/OFF, ENGINE COMPARTMENT, HOOD ACTIVATED WORK LIGHT WITH MANUAL OVERRIDE | 1 | |
| DUAL WEST COAST BRIGHT FINISH HEATED MIRRORS WITH LH AND RH REMOTE | | |
| DOOR MOUNTED MIRRORS | | |
| 102 INCH EQUIPMENT WIDTH | | |
| LH AND RH 8 INCH BRIGHT FINISH CONVEX MIRRORS MOUNTED UNDER PRIMARY MIRRORS | | |
| STANDARD SIDE/REAR REFLECTORS | | |
| 63X14 INCH TINTED REAR WINDOW | | |
| TINTED DOOR GLASS LH AND RH WITH TINTED NON-OPERATING WING WINDOWS | | |
| RH AND LH ELECTRIC POWERED WINDOWS | | |
| 1-PIECE SOLAR GREEN GLASS WINDSHIELD | | |
| 2 GALLON WINDSHIELD WASHER RESERVOIR WITHOUT FLUID LEVEL INDICATOR, FRAME MOUNTED | | |

Cab Interior

- RUGGED TRIM PACKAGE
- GRAY & CARBON VINYL INTERIOR "RUGGED"
- CARBON WITH PREMIUM GUNMETAL ACCENT (RUGGED)
- MOLDED DOOR PANEL
- MOLDED PLASTIC DOOR PANEL
- BLACK MATS WITH SINGLE INSULATION
- (1)DASH MOUNTED 12V POWER OUTLET, (1)DASH MOUNTED DUAL USB-C OUTLET
- FORWARD ROOF MOUNTED CONSOLE



Prepared For
 Haylie Tysdal
 ROSENBAUER AMERICA BB
 100 3RD ST
 LYONS, SD 57041
 UNITED STATES
 Phone 605-543-9619

Prepared by
 Carolyn LeBeau
 I-STATE TRUCK CENTER
 2901 WEST 60TH STREET N.
 SIOUX FALLS, SD 57107
 Phone 605-336-2995
 Mobile
 E-Mail carolyn.lebeau@istatetruck.com

| Description | Weight Front | Weight Rear |
|---|--------------|-------------|
| LH AND RH DOOR STORAGE POCKETS INTEGRATED INTO MOLDED DOOR PANELS | | |
| DIGITAL ALARM CLOCK IN DRIVER DISPLAY | | |
| (2) CUP HOLDERS LH AND RH DASH | | |
| M2/SD DASH | | |
| 5 LB. FIRE EXTINGUISHER | 10 | |
| HEATER, DEFROSTER AND AIR CONDITIONER | | |
| STANDARD HVAC DUCTING | | |
| MAIN HVAC CONTROLS WITH RECIRCULATION SWITCH | | |
| PREP KIT FOR CUSTOMER INSTALLED AUXILIARY HEATER, PLUMBING FROM ENGINE TO BACK OF CAB WITH SHUTOFF VALVES | | |
| STANDARD HEATER PLUMBING | | |
| AUXILIARY HEATER PLUMBING | | |
| VALEO HEAVY DUTY A/C REFRIGERANT COMPRESSOR | | |
| BINARY CONTROL, R-134A | | |
| PREMIUM INSULATION | | |
| SOLID-STATE CIRCUIT PROTECTION AND FUSES | | |
| 12V NEGATIVE GROUND ELECTRICAL SYSTEM | | |
| PREMIUM LED CAB LIGHTING | | |
| REMOTE KEYLESS ENTRY AND 2 TRANSMITTERS | 2 | |
| ALL UNIT(S) KEYED ALIKE WITH CUSTOMER SPECIFIED KEY NUMBER FT1031 | | |
| KEY QUANTITY OF 2 | | |
| LH AND RH ELECTRIC DOOR LOCKS WITH AUTO UNLOCK FEATURE WHEN DOOR IS SET FROM OPEN TO CLOSED POSITION | | |
| NO MATTRESS | -20 | -15 |



Prepared For:
 Haylie Tysdal
 ROSENBAUER AMERICA BE
 100 3RD ST
 LYONS, SD 57041
 UNITED STATES
 Phone 605-543-9619

Prepared by:
 Carolyn LeBeau
 I-STATE TRUCK CENTER
 2901 WEST 60TH STREET N.
 SIOUX FALLS, SD 57107
 Phone 605-336-2995
 Mobile:
 E-Mail carolyn.lebeau@istatetruck.com

| Description | Weight Front | Weight Rear |
|--|--------------|-------------|
| TRIANGULAR REFLECTORS KIT WITHOUT FLARES SHIPPED LOOSE IN CAB | 10 | |
| SEATS INC 911 UNIVERSAL SERIES HIGH BACK AIR SUSPENSION DRIVER SEAT WITH NFPA 1900 COMPLIANT SEAT SENSOR | 50 | |
| SEATS INC 911 UNIVERSAL SERIES SCBA NON SUSPENSION PASSENGER SEAT WITH UNDERSEAT STORAGE AND NFPA 1900 COMPLIANT SEAT SENSOR | 40 | 15 |
| SEATS INC 911 UNIVERSAL SCBA NON SUSPENSION LH AND RH REAR PASSENGER SEATS WITH UNDER SEAT STORAGE AND NFPA 1900 COMPLIANT SEAT SENSOR | 140 | 40 |
| LH AND RH INTEGRAL DOOR PANEL ARMRESTS | | |
| PARADE PANEL(S) ON APPLICABLE SCBA SEAT BACKS | | |
| BLACK CORDURA PLUS CLOTH DRIVER SEAT COVER | | |
| BLACK CORDURA PLUS CLOTH PASSENGER SEAT COVER | | |
| BLACK CORDURA PLUS CLOTH REAR PASSENGER SEAT COVER | | |
| NFPA 1900 HIGH VISIBILITY ORANGE SEAT BELTS | | |
| ADJUSTABLE TILT AND TELESCOPING STEERING COLUMN | | |
| 4-SPOKE 18 INCH (450MM) BLACK STEERING WHEEL WITH SWITCHES | | |
| DRIVER AND PASSENGER INTERIOR SUN VISORS | | |
| INTERFACE CONNECTORS AND WIRING FOR CUSTOMER PROVIDED LED STEP LIGHTING | | |

Instruments & Controls

- ELECTRONIC ACCELERATOR CONTROL
- NO INSTRUMENT PANEL-DRIVER
- FULLY CONFIGURABLE CENTER INSTRUMENT PANELS
- ENGINE PTO SPEED CONTROL WITH PARK BRAKE AND NEUTRAL INTERLOCKS
- BLACK GAUGE BEZELS
- LOW AIR PRESSURE INDICATOR LIGHT AND AUDIBLE ALARM WITH (1) ADDITIONAL PARK SWITCH FOR CUSTOMER USE



Prepared For
 Haylie Tysdal
 ROSENBAUER AMERICA BE
 100 3RD ST
 LYONS, SD 57041
 UNITED STATES
 Phone :605-543-9619

Prepared by
 Carolyn LeBeau
 I-STATE TRUCK CENTER
 2901 WEST 60TH STREET N
 SIOUX FALLS, SD 57107
 Phone :605-336-2995
 Mobile
 E-Mail :carolyn.lebeau@istatetruck.com

| Description | Weight Front | Weight Rear |
|--|--------------|-------------|
| DUAL NEEDLE PRIMARY AND SECONDARY AIR PRESSURE GAUGE | | |
| ELECTRONIC AIR RESTRICTION INDICATOR DISPLAYED IN DRIVER DISPLAY | | |
| 87 DECIBELS TO 112 DECIBELS AUTOMATIC SELF-ADJUSTING BACKUP ALARM | | 3 |
| ELECTRONIC CRUISE CONTROL WITH CONTROLS ON STEERING WHEEL SPOKES | | |
| KEY OPERATED IGNITION SWITCH AND INTEGRAL START POSITION; 4 POSITION OFF/RUN/START/ACCESSORY | | |
| PREMIUM INSTRUMENT CLUSTER WITH 5.0 INCH TFT COLOR DISPLAY | | |
| DIGITAL PANEL LAMP DIMMER SWITCH IN DRIVER DISPLAY | | |
| HEAVY DUTY ONBOARD DIAGNOSTICS INTERFACE CONNECTOR LOCATED BELOW LH DASH | | |
| 2 INCH ELECTRIC FUEL GAUGE | | |
| ENGINE REMOTE INTERFACE WITH ONE OR MORE SET SPEEDS | | |
| QUICKFIT POWERTRAIN INTERFACE CONNECTOR LOCATED BETWEEN SEATS WITH BLUNTCUTS | | |
| QUICKFIT PROGRAMMABLE INTERFACE CONNECTOR(S) BETWEEN SEATS WITH BLUNTCUTS | | |
| ENGINE REMOTE INTERFACE CONNECTOR AT POWERTRAIN INTERFACE CONNECTOR | | |
| ELECTRICAL ENGINE COOLANT TEMPERATURE GAUGE | | |
| DIGITAL TRANSMISSION OIL TEMPERATURE IN DRIVER DISPLAY | | |
| ELECTRONIC OUTSIDE TEMPERATURE SENSOR DISPLAY IN DRIVER MESSAGE CENTER | | |
| ENGINE AND TRIP HOUR METERS INTEGRAL WITHIN DRIVER DISPLAY | | |
| PTO CONTROLS FOR ENHANCED VEHICLE ELECTRIC/ELECTRONIC ARCHITECTURE | | |
| NO OBSTACLE DETECTION SYSTEM | | |
| NO DR ASSIST SYSTEM | | |
| (1) BACKUP CAMERA-END OF FRAME MOUNTED WITH 15 FOOT EXTRA LONG CABLE COILED AT END OF FRAME | | |



Prepared For:
 Haylie Tysdal
 ROSENBAUER AMERICA BB
 100 3RD ST
 LYONS, SD 57041
 UNITED STATES
 Phone: 605-543-9819

Prepared by:
 Carolyn LeBeau
 I-STATE TRUCK CENTER
 2901 WEST 60TH STREET N
 SIOUX FALLS, SD 57107
 Phone: 605-336-2995
 Mobile:
 E-Mail: carolyn.lebeau@statetruck.com

| Description | Weight Front | Weight Rear |
|---|--------------|-------------|
| ELECTRONIC STABILITY CONTROL, 4X2 W/SAFETY MIN BODY WEIGHT EXCEEDS 4,000LBS REQ | | |
| NO LANE DEPARTURE WARNING SYSTEM | | |
| ELECTRIC ENGINE OIL PRESSURE GAUGE | | |
| CENTER OVERHEAD INSTRUMENT PANEL BLANK | | |
| 1 QUIKFIT PROGRAMABLE MODULE (QPM/XMC) W/ (4) 20AMP FUSED RELAYS | 10 | |
| NFPA VEHICLE DATA RECORDER AND SEATBELT DISPLAY | | |
| 7" B-PANEL INTERACTIVE TOUCHSCREEN DISPLAY RADIO W/ USB-C, APPLE CARPLAY, ANDROID AUTO, BLUETOOTH/AM/FM/SXM/WB, WITH MICROPHONE | | |
| DASH MOUNTED RADIO | | |
| (2) RADIO SPEAKERS IN CAB | | |
| NO AM/FM RADIO ANTENNA | | |
| NO CB RADIO MOUNTING PROVISION | | |
| SHARKFIN MULTI-BAND ANTENNA, CENTRAL ROOF MOUNTING LOCATION: AM/FM/WEATHERBAND, WIF/BLUETOOTH, SDAR/SIRIUSXM, GNSS/GPS | | |
| INTEROPERABLE SDAR ANTENNA | | |
| STANDARD RADIO WIRING WITH STEERING WHEEL CONTROLS | | |
| ELECTRONIC MPH SPEEDOMETER WITH SECONDARY KPH SCALE, WITHOUT ODOMETER | | |
| STANDARD VEHICLE SPEED SENSOR | | |
| ELECTRONIC 3000 RPM TACHOMETER | | |
| DETROIT CONNECT PLATFORM HARDWARE | | |
| 3 YEARS DAIMLER CONNECTIVITY BASE PACKAGE ON (FEATURES VARY BY MODEL) POWERED BY DETROIT CONNECT ON CUMMINS ENGINES | | |
| TMC RP1226 ACCESSORY CONNECTOR LOCATED BEHIND PASSENGER SIDE REMOVEABLE DASH PANEL | | |
| IGNITION SWITCH CONTROLLED ENGINE STOP | | |
| STEERING WHEEL MOUNTED ELECTRIC HORN | | |



Prepared For:
 Haylie Tysdal
 ROSENBAUER AMERICA BB
 100 3RD ST
 LYONS, SD 57041
 UNITED STATES
 Phone 605-543-9619

Prepared by:
 Carolyn LeBeau
 I-STATE TRUCK CENTER
 2901 WEST 60TH STREET N
 SIOUX FALLS, SD 57107
 Phone 605-336-2995
 Mobile
 E-Mail carolyn.lebeau@istatetruck.com

| Description | Weight Front | Weight Rear |
|--|--------------|-------------|
| CONTROL | | |
| NO TRAILER HAND CONTROL BRAKE VALVE | | |
| DIGITAL VOLTAGE DISPLAY INTEGRAL WITH DRIVER DISPLAY | | |
| SINGLE ELECTRIC WINDSHIELD WIPER MOTOR WITH DELAY WHEN PARK BRAKE SET, TRANSITION TO SLOWEST SPEED | | |
| ROTARY HEADLAMP SWITCH, MARKER LIGHTS/HEADLIGHTS SWITCH WITH PULL OUT FOR OPTIONAL FOG/ROAD LAMPS | | |
| ALTERNATING FLASHING (WIG WAG) HIGH BEAM HEADLAMPS WITH PARK BRAKE RELEASED AND TEM WIRED INPUT | | |
| ONE VALVE PARKING BRAKE SYSTEM WITH DASH VALVE CONTROL AUTONEUTRAL AND WARNING INDICATOR | | |
| SELF CANCELING TURN SIGNAL SWITCH WITH DIMMER, HEADLAMP FLASH, WASH/WIPE/INTERMITTENT | | |
| INTEGRAL ELECTRONIC TURN SIGNAL FLASHER WITH 40 AMP (20 AMP PER SIDE) TRAILER LAMP CAPACITY | | |
| NO WRG/SW-OPTL #2,CHAS,AIR | | |

Design

TWO COLOR CUSTOM PAINT

Color

CAB COLOR A: L0001EY BLACK ELITE EY
 CAB COLOR B: L0762EY MED RED ELITE EY
 BLACK, HIGH SOLIDS POLYURETHANE CHASSIS PAINT
 STANDARD E COAT/UNDERCOATING

Certification / Compliance

U.S. FMVSS CERTIFICATION, EXCEPT SALES CABS AND GLIDER KITS

Secondary Factory Options

DEALER ADVISED/ACCEPTS ESC ON END OF FRAME TOWING FOR TRACTOR FOR YARD HAUL USE

TOTAL VEHICLE SUMMARY



Prepared For:
 Haylie Tysdal
 ROSENBAUER AMERICA BB
 100 3RD ST
 LYONS, SD 57041
 UNITED STATES
 Phone: 605-543-9619

Prepared by:
 Carolyn LeBeau
 I-STATE TRUCK CENTER
 2901 WEST 80TH STREET N.
 SIOUX FALLS, SD 57107
 Phone: 605-336-2995
 Mobile:
 E-Mail: carolyn.lebeau@statetruck.com

Weight Summary

| | Weight Front | Weight Rear | Total Weight |
|-----------------|--------------|-------------|--------------|
| Factory Weight+ | 8141 lbs | 4659 lbs | 12800 lbs |
| Total Weight+ | 8141 lbs | 4659 lbs | 12800 lbs |

Other Factory Charges

GHG24 SURCHARGE - CUMMINS
 3 YEARS DAIMLER CONNECTIVITY BASE PACKAGE ON (FEATURES VARY BY MODEL) POWERED BY DETROIT CONNECT ON CUMMINS ENGINES
 NO SAFETY EVENT VIEWER
 CUMMINS TARIFF CHARGE - \$205
 STEEL, ALUMINUM, AND CHINA TARIFF IMPACT FEE 108/114 SD AND M2 106/112
 MY27 ESCALATOR
 STANDARD DESTINATION CHARGE

Extended Warranty

TOWING: 2 YEARS/UNLIMITED MILES/KM EXTENDED TOWING COVERAGE \$1800 CAP
 FEDEX APPLIES

(+) Weights Shown are estimates only.
 If weight is critical, contact Customer Application Engineering.

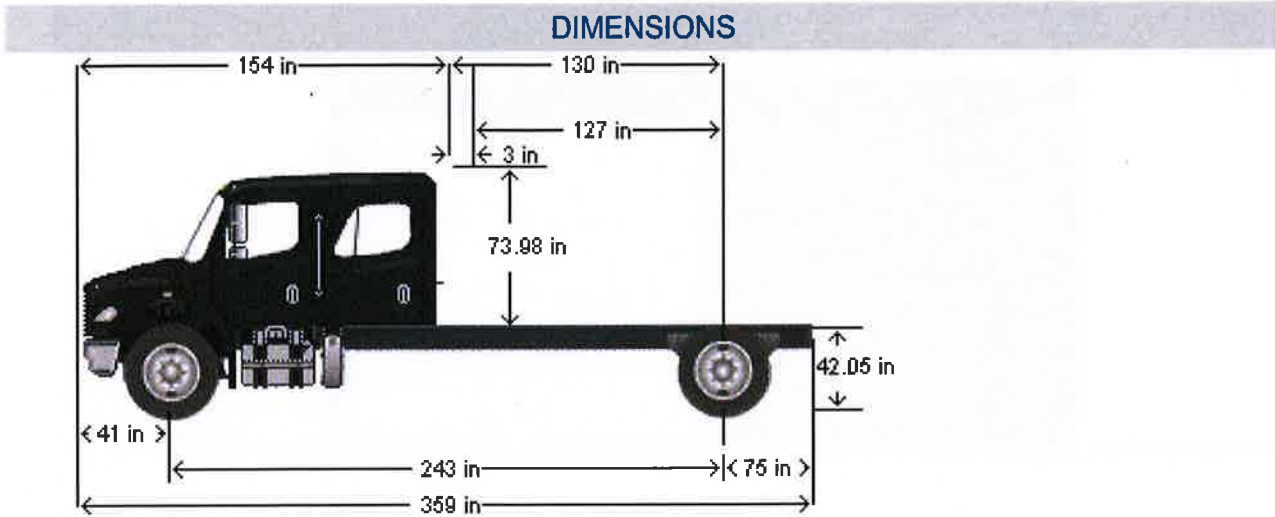
(**) Prices shown do not include taxes, fees, etc... "Net Equipment Selling Price" is located on the Quotation Details Proposal Report.

(***) All cost increases for major components (Engines, Transmissions, Axles, Front and Rear Tires) and government mandated requirements, tariffs, and raw material surcharges will be passed through and added to factory invoices.



Prepared For:
 Haylie Tysdal
 ROSENBAUER AMERICA BB
 100 3RD ST
 LYONS, SD 57041
 UNITED STATES
 Phone :605-543-9619

Prepared by:
 Carolyn LeBeau
 I-STATE TRUCK CENTER
 2901 WEST 60TH STREET N.
 SIOUX FALLS, SD 57107
 Phone :605-336-2095
 Mobile:
 E-Mail :carolyn.lebeau@istatetruck.com



VEHICLE SPECIFICATIONS SUMMARY - DIMENSIONS

| | |
|--------------------------------|--|
| Model | M2106 |
| Wheelbase (545) | 6175MM (243 INCH) WHEELBASE |
| Rear Frame Overhang (552) | 1900MM (75 INCH) REAR FRAME OVERHANG |
| Fifth Wheel (578) | NO FIFTH WHEEL |
| Mounting Location (577) | NO FIFTH WHEEL LOCATION |
| Maximum Forward Position (in) | 0 |
| Maximum Rearward Position (in) | 0 |
| Amount of Slide Travel (in) | 0 |
| Slide Increment (in) | 0 |
| Desired Slide Position (in) | 0.0 |
| Cab Size (829) | 154 INCH BBC HIGH-ROOF ALUMINUM CONVENTIONAL CREW CAB |
| Sleeper (682) | NO SLEEPER BOX/SLEEPERCAB |
| Exhaust System (016) | RH OUTBOARD UNDER STEP MOUNTED HORIZONTAL AFTERTREATMENT SYSTEM ASSEMBLY WITH RH HORIZONTAL TAILPIPE EXITING FORWARD OF REAR TIRES |
| Cab to Body Clearance (in) | 3.0 |



Prepared For
 Haylie Tysdal
 ROSENBAUER AMERICA BB
 100 3RD ST
 LYONS, SD 57041
 UNITED STATES
 Phone :605-543-9619

Prepared by:
 Carolyn LeBeau
 I-STATE TRUCK CENTER
 2901 WEST 60TH STREET N.
 SIOUX FALLS, SD 57107
 Phone :605-336-2995
 Mobile:
 E-Mail :carolyn.lebeau@istatetruck.com

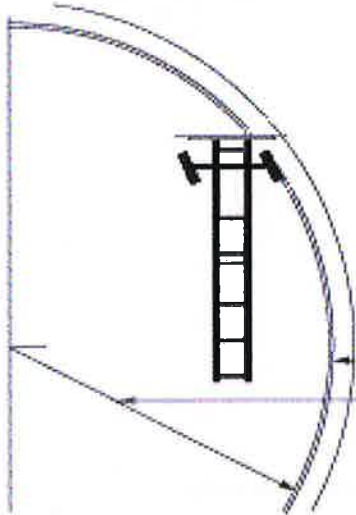
TABLE SUMMARY - DIMENSIONS

| Dimensions | Inches |
|--|--------|
| Bumper to Back of Cab (BBC) | 153.5 |
| Bumper to Centerline of Front Axle (BA) | 40.7 |
| Front Axle to Back of Cab (AC) | 112.8 |
| Min. Cab to Body Clearance (CB) | 3.0 |
| Back of Cab to Centerline of Rear Axle(s) (CA) | 130.3 |
| Effective Back of Cab to Centerline of Rear Axle(s) (Effective CA) | 127.3 |
| Back of Cab Protrusions (Exhaust/Intake) (CP) | 2.0 |
| Back of Cab Protrusions (Side Extenders/Trim Tab) (CP) | 0.0 |
| Back of Cab Protrusions (CNG Tank) | 0.0 |
| Back of Cab Clearance (CL) | 3.0 |
| Back of Cab to End of Frame | 205.1 |
| Cab Height (CH) | 74.0 |
| Wheelbase (WB) | 243.1 |
| Frame Overhang (OH) | 74.8 |
| Overall Frame Length | 347.3 |
| Overall Length (OAL) | 358.7 |
| Rear Axle Spacing | 0.0 |
| Unladen Frame Height at Centerline of Rear Axle | 42.1 |

Performance calculations are estimates only. If performance calculations are critical, please contact Customer Application Engineering.



TURNING RADIUS



Turning radius graphic and data provided strictly for comparisons between model configurations. Weather, road surfaces, and tire treads affect the results. It is strongly suggested that actual vehicles be measured before constructing any roads/driveways using this information. For specific figures regarding your configuration, please contact your CAE representative.

| | Dimensions | Tolerance |
|----------------------------|------------|-----------|
| Wall to Wall Diameter (ft) | 66.8 | +/- 3.0 |
| Curb to Curb Diameter (ft) | 65.2 | +/- 3.0 |
| Turning Radius (ft) | 32.1 | +/- 1.5 |

VEHICLE SPECIFICATIONS SUMMARY - TURNING RADIUS

| | |
|---------------------------------|--|
| Model | M2106 |
| Cab Size (829) | 154 INCH BBC HIGH-ROOF ALUMINUM CONVENTIONAL CREW CAB |
| Wheelbase (545) | 6175MM (243 INCH) WHEELBASE |
| Front Tires (093) | MICHELIN XZE 12R22.5 16 PLY RADIAL FRONT TIRES |
| Width (in) | 11.4 |
| Front Axle (400) | DETROIT DA-F-14.7-3 14,700# FF1 71.5 KPI/3.74 DROP SINGLE FRONT AXLE |
| Kingpin Intersection (in) | 71.5 |
| Bumper (556) | THREE-PIECE 14 INCH CHROMED STEEL BUMPER WITH COLLAPSIBLE ENDS |
| Width (in) | 93.5 |
| Bumper Miter to Front Axle (in) | 21.458 |
| Primary Steering Location (003) | LH PRIMARY STEERING LOCATION |
| Steering Gear (536) | TRW TAS-85 POWER STEERING |
| Dual Steering Gear | NONE |
| Ram | NONE |
| Rear Axle (420) | MERITOR RS-26-185 26,000# T-SERIES SINGLE REAR AXLE |

Prepared For
Haylie Tysdal
ROSENBAUER AMERICA BB
100 3RD ST
LYONS, SD 57041
UNITED STATES
Phone :605-543-9619

Prepared by
Carolyn LeBeau
I-STATE TRUCK CENTER
2901 WEST 60TH STREET N.
SIOUX FALLS, SD 57107
Phone :605-336-2995
Mobile
E-Mail carolyn.lebeau@istatetruck.com

Axle Spacing (624)

NO AXLE SPACING

Performance calculations are estimates only. If performance calculations are critical, please contact Customer Application Engineering.



Approximate Center of Gravity Calculated

City Name: **Mason County FPD #2; North Mason RFA**

| Chassis Vertical Center of Gravity From Ground | | |
|--|-------|---------------------|
| Tilt Table | | From Manufacture |
| Chassis Track Width- | 74.00 | 42 |
| Degree to Tip Over- | 1.00 | |
| Chassis CG (inches)- | 0.00 | |

| | |
|-------------------------|-----------|
| Ground to Top of Frame- | 42 |
| Rear Axle Track Width- | 74 |

| | Overall Height of Load | Top of Frame Rails to Bottom of Load | CG Above Frame | Weight | Vertical Moment (Inch Lbs) |
|---|------------------------------|---|----------------------|-----------------|----------------------------------|
| Tank & Water (& Foam)- Lower | 12 | 1.5 | 7.5 | 2317 | 17376.27273 |
| Tank & Water (& Foam)- Upper | 38.25 | 13.5 | 32.625 | 7151 | 233294.9686 |
| Hose | 11.00 | 55.00 | 60.5 | 1265 | 76532.5 |
| Pump | 18 | 10 | 19 | 2953 | 56107 |
| Body | 83 | -17 | 24.5 | 3168 | 77616 |
| Ground Ladders | 28 | 13.5 | 27.5 | 112 | 3080 |
| Chassis | See Above | | 0.00 | 13440 | 0 |
| Personnel <small>(If 0 included in Chassis Weight)</small> | 56 | 4 | 32 | 1000 | 32000 |
| Equipment | 63 | -16.5 | 15 | 4831 | 72465 |
| Aerial Device | See Drawing | | | 0 | 0 |
| Total | | | 15.69 | 36236.64 | 568471.7414 |

CG Above Ground 57.69

Verticle Center Of Gravity
Height Compared To Track
Width 77.96% SEE NOTE 1
(To Be Less Than 80%)

Horizontal Center of Gravity
(From Rear Axle) 80.33

NOTE 1:

Per NFPA 1901- 4.13.1 the calculated CG shall be no higher then 80%. If the calculated CG is more then 80%then one of the following will need to be done:

- 80%-84% it is recommended to have an ESC system (electronic stability control), but it is an option to request a tilt table test per NFPA 4.13.1.1.
- 84.1% or more requires an ESC system

IT IS STILL RECOMMENDED THAT IF AN ESC IS NOT INSTALLED THAT THE APPARATUS BE RE-CONFIGURED TO MEET THE 80% REQUIREMENT BASED ON THE CALCULATED CG

Rosenbauer - South Dakota

DEPARTMENT: Mason County FPD #2; North Mason RFA

PROJECT: 3095-D

| | |
|-------------------------|-------|
| Wheel Base | 243 |
| C A | 130.2 |
| Cab to Pump Compartment | 3.2 |
| Pump Compartment | 54 |
| Tank Length Lower | 116 |
| Tank Length Upper | 116 |
| Body Length | 144 |
| Total Tank Capacity | 1020 |
| Aerial Size | 0 |



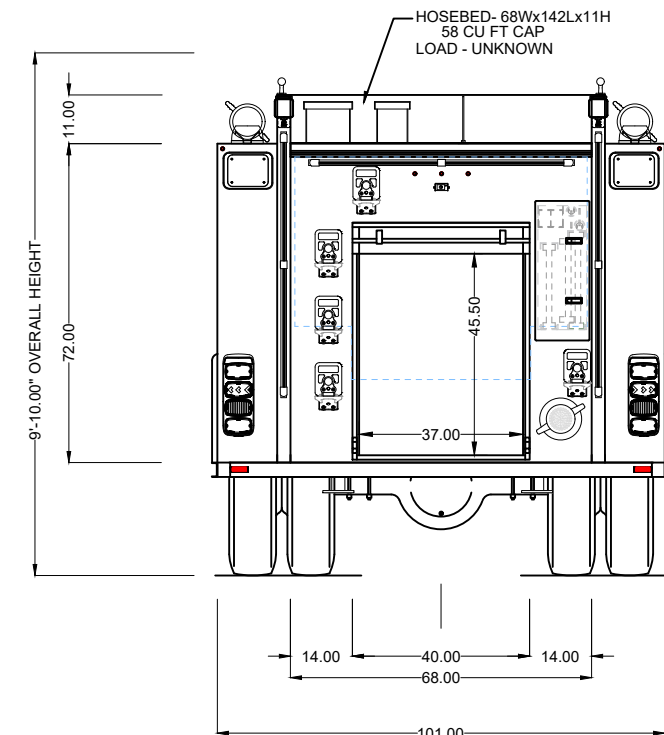
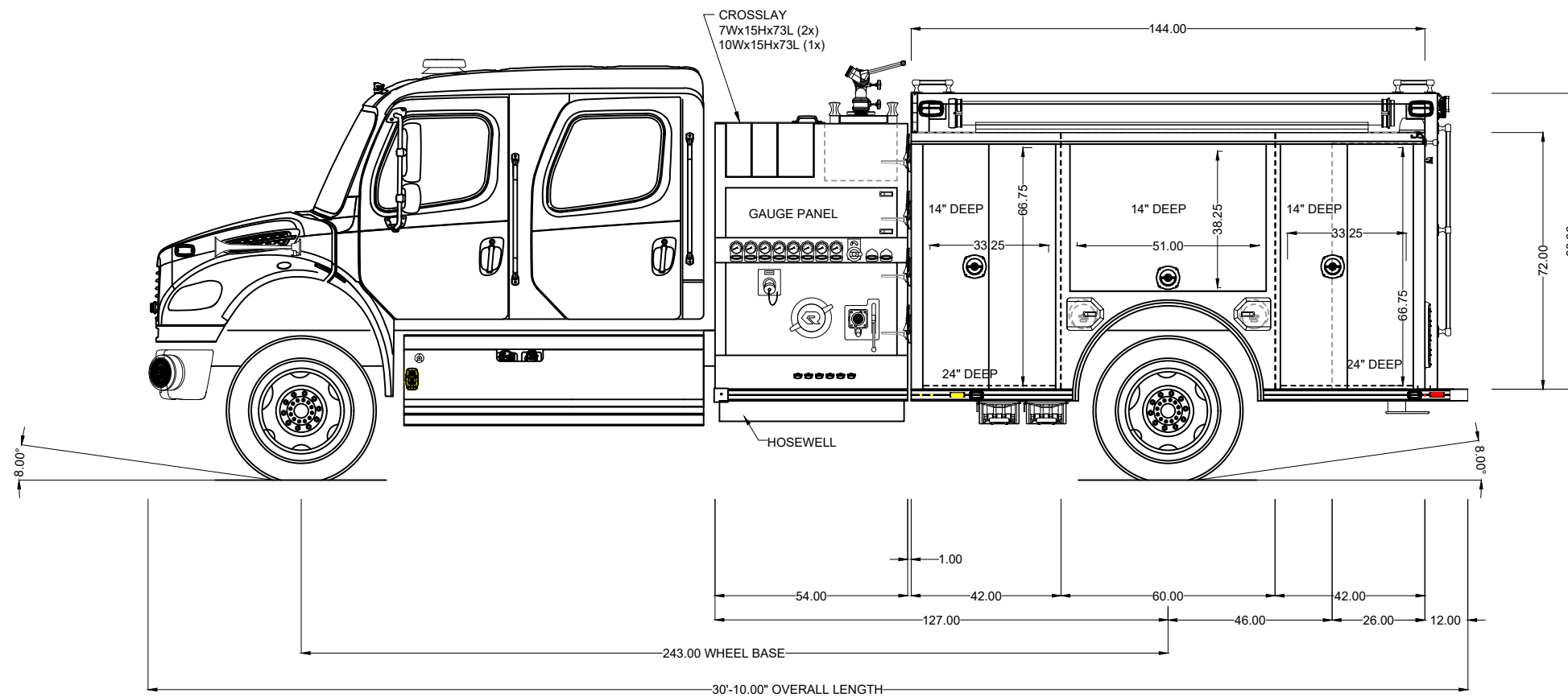
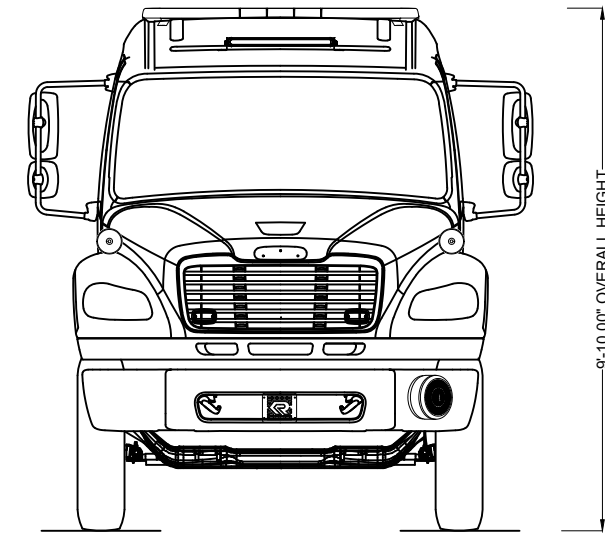
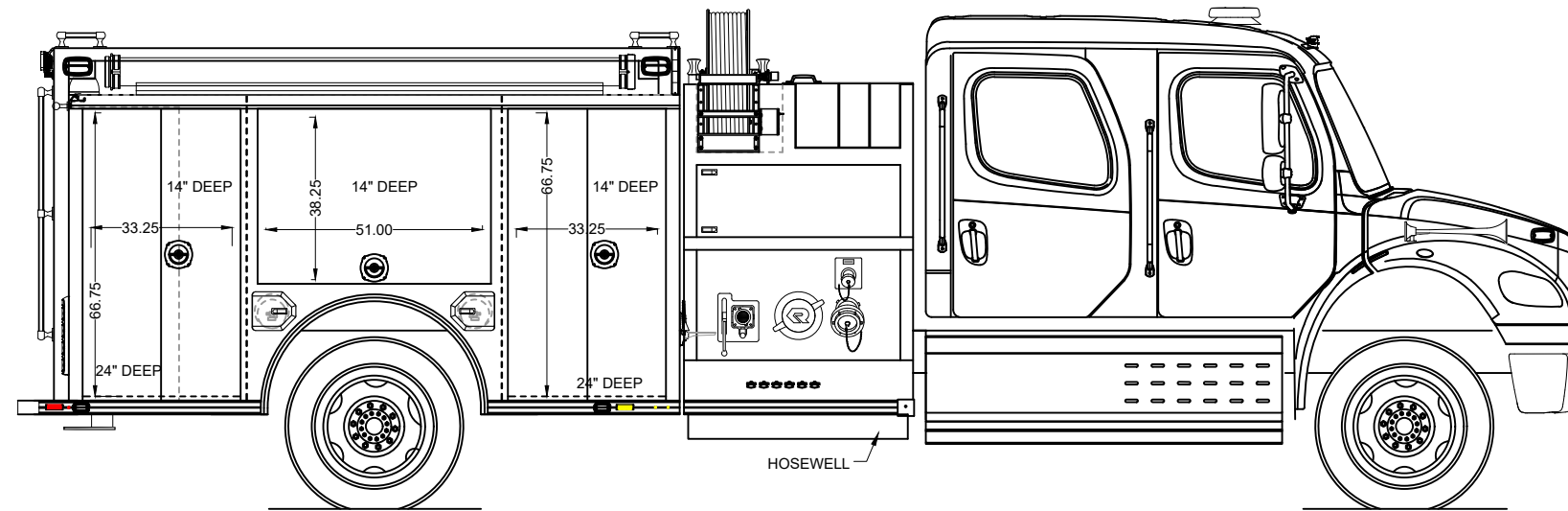
| Percent of Weight to Front Axle | | |
|---------------------------------|--------|--------|
| Water (& Foam) Lower | Body | Pump |
| 4.94% | 0.00% | 41.15% |
| Water (& Foam) Upper | Aerial | Hose |
| 4.94% | NA | 0.41% |

| | TOTAL WT | FRONT WT | REAR WT | |
|--------------------------------|---------------|---------------|---------------|---|
| Water (& Foam) Lower | 2,317 | 114 | 2,202 | |
| Water (& Foam) Upper | 7,151 | 353 | 6,798 | |
| Body | 3,168 | 0 | 3,168 | |
| Pump | 2,953 | 1,215 | 1,738 | |
| Aerial | 0 | 0 | 0 | |
| Chassis | 13,440 | 8,548 | 4,892 | |
| Miscellaneous Equipment | 2,331 | 863 | 1,468 | |
| SUB TOTAL | 31,360 | 11,094 | 20,266 | |
| NFPA 1901 Equipment Allowance | 2,500 | -103 | 2,603 | |
| Additional Equipment Allowance | 0 | 0 | 0 | |
| NFPA Personnel Load 4 | 1,000 | 984 | 16 | |
| Hose Load | 1,265 | 5 | 1,260 | |
| Ground Ladders | 112 | 0 | 112 | |
| | 0 | 0 | 0 | |
| | | | | Side-to-Side Tire Load Variation |
| TOTAL | 36,237 | 11,979 | 24,257 | 1.9% |
| | | 33% | 67% | |

NOTE: Weights shown are approximate

| | | | | | |
|--|--------|---------------------|-------------|--------|--------|
| <i>Proposed chassis information:</i> | Brand: | Freightliner | Crew Doors: | 4 | |
| | | 2 Wheel Drive | | | GVWR |
| Axle Capacities: | Front: | 14,600 | Rear: | 26,000 | 40,600 |
| Estimated Chassis Weight: (includes +5% variance) | Front: | 8548 | Rear: | 4892 | |

NOTE: Chassis weights **MUST BE VERIFIED** by the **DEALER**. Dealer will be responsible for confirming the axles are adequate for the proposed apparatus. 1000# extra capacity per axle is recommended.



- NOTES:
- OVERALL HEIGHT IS IN LOADED CONDITION. UNLOADED HEIGHTS MAY BE 4" ABOVE HEIGHTS SHOWN.
 - DO NOT SCALE DRAWING.
 - ALL DIMENSIONS ARE APPROXIMATE AND SUBJECT TO ENGINEERING CHANGES.
 - DRAWING MAY OR MAY NOT SHOW ALL ITEMS AS DESCRIBED IN THE WRITTEN DETAIL SPECIFICATIONS.
 - INCLUSION OF AN ITEM ON THE DRAWING DOES NOT CONSTITUTE INCLUSION OF THAT ITEM WITH THE FINAL DELIVERED UNIT.

| | |
|-----------|------------------|
| REV - - - | DATE - - |
| REV - - - | DATE - - |
| REV - - - | DATE - - |
| DRAWN: CM | DATE: 03-06-2026 |

APPROVED BY:

CHASSIS: FREIGHTLIN M2 106, 4DOOR
 PUMP: WATEROUS, CSC22, 1,250 GPM

PROPRIETARY AND CONFIDENTIAL
 THE INFORMATION CONTAINED IN THIS DRAWING IS
 THE SOLE PROPERTY OF ROSENBAUER. ANY
 REPRODUCTION IN PART OR AS A WHOLE WITHOUT
 THE WRITTEN PERMISSION OF ROSENBAUER IS
 PROHIBITED.

| | |
|----------------|---------------|
| MAXIMUM HEIGHT | 10' = 120" |
| MAXIMUM LENGTH | 31'-4" = 376" |
| BODY WIDTH | 101" |

TANK: 1,000 / 20 FOAM, G3

= BID =
**MANSON COUNTY FPO #2;
 NORTH MASON RFA**



| | | |
|----------------------|----------------|-----|
| ROSENBAUER FX - 1/8" | | |
| JOB NUMBER | DRAWING NUMBER | REV |
| - | 3095-D | - |



PURCHASE ORDER

| Purchaser | | SUPPLIER | |
|--------------------------|--------------------------------------|--------------------------|-----------------------------------|
| Purchaser: | Mason County FPD #2; North Mason RFA | Contract # | Sourcewell Contract #: 082025-RSD |
| Address 1: | P.O. Box 277 | Supplier: | Rosenbauer South Dakota, LLC |
| Address 2: | Fire Station | Address 1: | 100 3rd Street |
| City, State, Zip: | Belfair, Washington 98528 | Address 2: | |
| | | City, State, Zip: | Lyons, SD 57041 |

| | | | |
|-------------------------------|--------------------|--|--------|
| Purchase Order Number: | New Fire Apparatus | Delivery in Calendar Days, <small>after receipt and acceptance of Order:</small> | 600 |
| Date: | 3/10/2026 | Member # | 172097 |

The amount in this proposal shall remain firm for a period of 30 days from the date of same.

| Quantity | Description | Price | Price (Extended) |
|---|--|--------------|---------------------|
| 1 | One (1) Rosenbauer Pumper, complete with Freightliner chassis per attached specifications. | \$599,032.00 | \$599,032.00 |
| | | | |
| | | | |
| Washington State Sales Tax Is Not Included And Shall Be Added At Time Of Final Invoice | | | |
| <small>*Note: If chassis amount of \$133,542.00 is paid upon arrival at our plant in South Dakota, deduct \$5,107.00 each</small> | | | |
| TOTAL | | | \$599,032.00 |

NOTES: **The signed/completed production specifications must be returned and completed within 30 days of contract signing. ***The proposal includes a current model Cummins Engine. These engines are based upon a "First Come / First Served Order Basis". If unable to obtain a current Cummins Engine, there will be a requote with a significant price increase.

| | |
|----------------------------|------------------------|
| Rosenbauer Dealer : | General Fire Apparatus |
| Salesperson: | Brenden Feist |
| Signature: | |

| | |
|--------------------|--------------------------------------|
| Purchaser: | Mason County FPD #2; North Mason RFA |
| Print Name: | |
| Title: | |
| Date: | |
| Signature: | |



**APPENDIX C
CHANGE ORDER POLICY**

This change order policy is intended to reflect the increased cost of changes which result in delayed deliveries, confused paperwork, poor production flow and increased potential of trucks being built to incorrect specifications. With your cooperation, changes can be kept to a minimum which means we will be able to reduce lead times, increase production and maintain costs which will benefit all of us.

Our objective is accurate, high quality and on-time deliveries exceeding our customer expectations.

Changes any time after the order is received may delay the quoted delivery date. Significant design or component changes will have the largest impact on the schedule and quoted delivery date. Changes that occur later in the process will also have the largest impact on the schedule and quoted delivery date.

All time fences are reference to contract execution date if not otherwise stated.

Change Window #1

All changes will be priced at standard pricing and specials will be priced through our normal process. Significant changes made to the vehicle during this time period may result in a delivery extension.

| | |
|-----------------|-----------|
| RBM Chassis | 0-60 days |
| RBA Aerial | 0-60 days |
| Rosenbauer Body | 0-60 days |

Change Window #2

All changes are subject to a 25% mark-up. All changes are subject to factory review and may be denied due to engineering or lead time issues.

| | |
|-----------------|-------------|
| RBM Chassis | 61-75 days |
| RBA Aerial | 61-75 days |
| Rosenbauer Body | 61-120 days |

Change Window #3

All changes are subject to a 50% mark-up, and 50% restocking fee on deleted items. All changes are subject to factory review and may be denied due to engineering or lead time issues. No major components can be changed at this time; major components are considered engine, transmission, axles, suspension, cab, frame (wheelbase), seats, water pump and water tank.

| | |
|-----------------|--------------|
| RBM Chassis | 76-120 days |
| RBA Aerial | 76-120 days |
| Rosenbauer Body | 121-180 days |

Change Window #4

Changes are not recommended at this time. Any changes requested will be priced on a time and material basis. Any changes requested, and that are quoted to the customer, must be approved by the customer within three days or they will not be valid.

| | |
|-----------------|----------------|
| RBM Chassis | After 120 days |
| RBA Aerial | After 120 days |
| Rosenbauer Body | After 180 days |

**Note: Any late change orders that are factory driven will be done at cost and no additional mark up or penalties will apply.*

INFLATIONARY NOTICE

Due to unprecedented volatility with inflationary pressures in our economy and existing market demand creating substantial production backlogs, Rosenbauer America reserves the right to potentially request price escalation under this contract. To be fair and reasonable, any potential price escalation request will be presented and supported with specific evidence of supply chain cost increases from material or component providers. Upon request, this may include copies of invoices from relevant suppliers to substantiate accordingly. Any request will be done in a timely manner for careful review and consideration.

BUYER INITIALS: _____

**APPENDIX D
CANCELLATION POLICY**

This cancellation policy is intended to outline the costs associated with canceling a contract after the vehicle has been ordered.

Cancellation Window #1

All requests for cancellation from order entry until the preconstruction meeting is held will incur a \$5,000 cancellation fee.

Cancellation Window #2

All requests for cancellation after the pre construction until the specifications have been released to engineering will incur a \$10,000 cancellation fee.

Cancellation Window #3

All requests for cancellation after the specifications have been released until the truck starts in production will incur a \$15,000 cancellation fee in addition to evaluation of materials that have been ordered

Cancellation Window #4

All requests for cancellation while the truck is in production will be subject to review and charged based material and production time.

BUYER INITIALS: _____

Roof Replacements 26 gauge metal

04/01/2026



WE DRIVE THE RED TRUCKS!
FAMILY OWNED AND OPERATED SINCE 1980



WORKMANSHIP BACKED UP
WITH A WARRANTY



Largest roofer in Kitsap County based on
CertainTeed Installations in North America.

Scott Cooper

9550 Northeast Belfair Tahuya Road, Tahuya, WA 98588



info@hanleyroofing.com
Main Office (360) 876-0870

INTRODUCTION

Hello Scott Cooper

Thank you for the opportunity to provide a quote on your roofing needs. Please take a look at your estimate below and additional information, testimonials, and frequently asked questions.

The following estimate includes:

- ✓ Complete removal and proper disposal of all existing roofing materials, ensuring the foundation is prepared for the new installation.
- ✓ All Hanley roofs are hand-nailed, with each one completed by our dedicated team to ensure the highest quality for all composition roofing options.
- ✓ We ensure a thorough cleaning of the entire job site, leaving no roofing debris behind and maintaining a clean, safe environment around your home.
- ✓ Our Quality Control Specialist conducts a final, comprehensive inspection to ensure the entire project meets our high standards of quality.
- ✓ We are fully licensed, bonded, and insured, giving you confidence that we're certified to work in your region with complete coverage.
- ✓ As part of the service, we provide a complete cleaning of all gutters to ensure proper drainage and functionality.
- ✓ We use top-quality, industry-approved materials for all composition roofs, and offer a lifetime workmanship warranty on both composition and metal roofing systems.

FAQ'S

How long has Hanley Construction been in business? Hanley Construction has been family-owned and operated since 1980, completing over 10,000 roof installations and replacements across Kitsap County.

What local jobs can I see that you have completed? We've completed many local projects that you can view. Contact our office, and we'll provide addresses featuring the specific roofing materials and colors you're interested in.

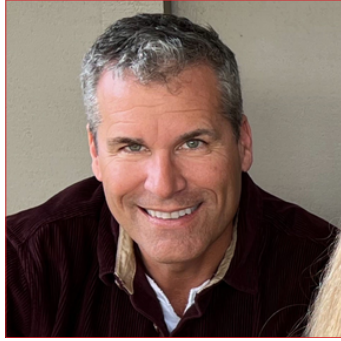
How long will my project take? Most roof replacements take just a few days to complete. However, the exact timeline depends on factors like the roof size, materials used, weather conditions, and any additional work required.

Is a building permit required for my roof replacement? In most cases, a permit is required for roof replacements, though there are some exceptions. We can handle the permit process for you or assist if you prefer to obtain it yourself.

What steps do you take for the safety of your employees? All of our field technicians receive comprehensive safety training, are first-aid certified, and participate in weekly safety meetings that provide additional instruction. At Hanley Construction, we prioritize a "safety first" culture, conducting daily safety inspections and emphasizing the importance of accountability for both individual and team safety.

How is payment handled? We require a 15% deposit to secure materials, with the remaining balance due upon project completion. We offer financing options, accept multiple forms of payment and provide Military and Senior Discounts.

CUSTOMER TESTIMONIALS



We had an excellent experience with Hanley Roofing. Every step along the way was very professional. The owner Morgan helped us pick the right product for our home. Our onsite superintendent, Pablo put the super in superintendent. We had a great crew. They were hardworking, professional and courteous and cleaned up the work site each day. Hanley stands behind their work and that gives us great comfort and confidence that this new roof will stand the test of time.

-Rob B.



Alex and his crew are absolutely amazing! My neighbors have already complimented my new roof and are jealous! I can't even thank them enough and everyone in the office for awesome communication and making this as stress free as possible! The roof looks so great, and they did such an amazing job on the clean up! Thank You!!!

-Susanne G.



Morgan Hanley and the team at Hanley Construction did an exceptional job with our roof repair and moss removal services. Their professionalism and attention to detail were evident throughout the process. The staff was courteous and knowledgeable, ensuring clear communication and quick responses to any questions. They completed the repairs efficiently, addressing all concerns, and left our roof looking better than ever. The moss treatment was thorough, and we feel confident knowing our roof is well-protected. I highly recommend Hanley Construction for any roof maintenance and repair needs.

-Frank E.

HANLEY CONSTRUCTION



Family-owned and operated since 1980, we treat every roof we work on as if it were our own, making each project part of the Hanley family. As the most reputable, recognized, and trusted roofing company in Kitsap County, we take pride in our longstanding commitment to quality.



At Hanley Construction, we are proud to have maintained the Select Shingle Master certification since 2011 and achieved Gold Star status in 2018. This prestigious credential places us in the top 1% of the shingle roofing industry, reflecting our commitment to the highest standards. We are the only roofing company in Kitsap County with this certification and we continue to uphold excellence through product knowledge, being insured and established, being customer-focused, and maintaining ethical conduct.



Consistently voted Best of West Sound for Roofing for 13 years in a row and holding a 4.9-star rating on Google with 235 reviews, we prioritize clear communication from start to finish. This enables us to build outstanding rapport and strong relationships with each customer.

PROUD MEMBERS OF



At Hanley Construction, we take pride in using high-quality materials. GreenCircle sets the industry standard for third-party verification of recycled content in building products.



(RE)IMAGINING ROOFING

With our roofing shingles, we strive for the highest possible content of recycled or bio-based materials.

HANLEY CONSTRUCTION IS PROUD TO BE CERTAINTEED CERTIFIED

From manufacturing and material sourcing to product development and recycling initiatives, CertainTeed is reimagining roofing to create residential shingles designed for more comfortable homes today and a more sustainable world tomorrow.

Your Local **ROOFING** Company
Hanley
CONSTRUCTION



Responsible Sourcing



Diverting from Landfills

Sustainability Begins With Cleaner Manufacturing

13 million tons of asphalt shingles are landfilled annually in the U.S. and we're building a circular shingle economy to change that



23 GreenCircle Certifications

GreenCircle is the industry standard for third-party verification of recycled content in building products



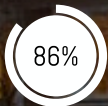
A Focus on Transparency

CertainTeed provides Environmental Product Declarations, making it straightforward to understand the environmental impact of our products



Giving Shingles a New Life

Through our investment in new technologies like Asphaltica, we're transforming end-of-life shingles into roads



Reducing Waste

86% of CertainTeed shingle manufacturing waste is diverted from landfills and routed to new use



Preventing Hail Damage

Class 4 impact resistance to storm damage for roofs that last longer without requiring replacement



Keeping Homes Cooler

Solaris® cool roof shingles reflect solar heat, greatly reducing home energy consumption



Next-Level Protection

CertainTeed shingles protect homes from extreme weather and winds as high as 130mph



HANLEY GIVING BACK

At Hanley Construction, we believe in building more than just top-quality roofs; we're dedicated to making a meaningful impact on our community and beyond. That's why we proudly donate a percentage of our profits to two exceptional organizations that are close to our hearts.



CROSSPOINT
CHRISTIAN SCHOOL

Gateway Schools, operating as Crosspoint Christian School, is a private Christian institution, serving students from kindergarten through 12th grade. The school partners with families to equip students with faith and wisdom, preparing them to stand firm in their beliefs and lead with purpose in an ever-changing world. We support Gateway Christian Schools (Crosspoint) because they provide a strong foundation for students to grow academically, spiritually, and personally. Their commitment to nurturing young minds through faith-based education aligns with our values of community, integrity, and building a brighter future for the next generation. By fostering leadership, wisdom, and a sense of purpose, Crosspoint helps equip students to positively impact their communities and the world.



Scarlet Road is a beacon of hope for survivors of sexual exploitation in Kitsap County. This local nonprofit provides a safe haven for victims, offering them immediate relief and long-term recovery through trauma-informed care, housing, and support services. Scarlet Road's mission is not only to rescue victims from their circumstances but to restore their lives through education, job training, and emotional support, helping them reintegrate into society with confidence and self-worth. Their work within our community addresses the root causes of trafficking while advocating for systemic change to prevent future exploitation.

We're proud to partner with these organizations and deeply appreciate your support in this mission. Each project we complete and every roof we build not only fulfills our commitment to quality craftsmanship but also strengthens our ability to contribute to these worthy causes. Your trust in us makes these contributions possible, and together, we're creating a ripple effect of positive change. By choosing Hanley Construction, you're helping us support Gateway Schools and The Scarlet Road organization.

info@hanleyroofing.com
Main Office (360) 876-0870





Hanley Construction
250 Bethel Avenue
Port Orchard, WA 98366
Phone: (360) 876-0870

Company Representative
Paul Neujahr
Phone: (360) 710-9796
paul@hanleyroofing.com

Scott Cooper
9550 Northeast Belfair Tahuya Road
Tahuya, WA 98588
(360) 275-6711 Ext. 201

Job: Scott Cooper

Taylor 24 Gauge 16" Easy Lock (Standard Colors Only) - Both Buildings on Property (Approximately 2,000 sq. ft. roof surface total.) (Copy)

1. Set up tarps and plywood where necessary to protect building and surroundings from falling debris.
2. Remove existing single layer of composition roof. Haul all debris to an authorized waste collection facility. \$137/square added to total investment for any additional layers of roofing encountered.
3. Inspect and replace all defective and/or rotten sheeting. Replace defective plywood using 1/2" CDX plywood @ \$115.00 per sheet. All other substructure, fascia, siding work, bird block vents, insulation baffles and/or painting charged at \$150.00 per man-hour plus material costs. Written change orders will be issued if the total of the additional work exceeds 10% of the original contract sum.
4. Install Taylor Metal Products 24 gauge 16" Easy Lock standing seam metal roof systems according to manufacturer's specifications over APOC Weather Armor CXL Crossover hybrid roofing underlayment.
5. Taylor standing seam metal comes with a Kynar 500 paint finish which includes a manufacturer's 30-year material paint warranty if structure is over 1,000 ft. from salt water. Warranty period is reduced to 20-years if structure is within 1,000 ft.
6. All metal roof panels & accessory flashing to have a Kynar paint finish.
7. Install a vented ridge at all applicable locations.
8. Install all required plumbing flashings.
9. Pricing for 24 gauge 16" Easy Lock includes a hooked eave detail application.
10. Clean gutters and exterior of buildings of all roofing related debris at completion of project.
11. Perform onsite inspection at completion of project with building representative and Hanley Construction representative.

Note: We are replacing 13 under eave bird block vents on one building and 8 under eave bird block vents on the other building using full screen vents to deter woodpecker infiltration at existing bird block vents. We will replace eave vents on a man hour material basis as listed above in line 3.

As always, the Hanley Construction 20 year Workmanship Warranty applies.

Note: Pricing based on prevailing wage rates.

Taylor 24 Gauge 16" Easy Lock (Standard Colors Only)

\$31,394.00

Sales Tax Not Included

This quotation valid for thirty (30) days. Payment Terms: 15% Non-Refundable deposit due upon acceptance of proposal. Remaining balance due upon completion of project. A 3% fee will be applied to credit card transactions. Any unpaid balance including any applicable late fees and/or attorney fees incurred in collection will bear interest at 12% per annum until paid in full. Acquisition and cost of any and all permits is the responsibility of Customer. Hanley Construction shall not be liable to recalibrate or remount any electrical devices on roof. (Satellite dishes, antennas, etc.)

Acceptance of Proposal:

The above prices, specifications and conditions are satisfactory and hereby accepted. The signing of this proposal authorizes Hanley Construction Inc. to provide all materials and services as specified. In no event shall Hanley Construction be liable for consequential or incidental damages, asbestos and/or lead paint abatement, ventilation issues and mold or algae growth of any type. Signing of this proposal acknowledges that customer has received, read and accepted the "Notice to Customer" statement.

Customer Signature

Date

INTERLOCAL AGREEMENT

SPECIAL OPERATIONS RESCUE TEAM SERVICES AGREEMENT

THIS AGREEMENT is made and entered into between the undersigned FIRE PROTECTION DISTRICTS and FIRE AUTHORITIES, municipal corporations of the State of Washington, hereinafter referred to as the "Fire Agencies," and the MASON COUNTY SHERIFF'S OFFICE, hereinafter referred to as the "Sheriff's Office," collectively referred to as the "Agencies," for the purpose of establishing a collaborative to provide Special Operations Rescue Team (SORT) services and to enhance emergency response capabilities within Mason County.

RECITALS

1. This agreement is entered into under the authority of RCW 52.12.031, RCW 36.28A.140, RCW 38.52.400, and in conformity with chapter 39.34 RCW, the Interlocal Cooperation Act.
2. Each Entity has personnel with the skills, abilities, and equipment to provide specialized rescue services, and the entities have determined that the joint offering of services of qualified rescue personnel and equipment will benefit the citizens of Mason County.
3. The Entities have determined that it would be mutually beneficial to collaborate and coordinate in the areas of training, equipment use and purchasing, and operating policies and procedures for safely, efficiently, and effectively carrying out SORT services.

SECTION 1. PURPOSE AND SCOPE

- 1.1 The Agencies acknowledge the need for a Special Operations and Rescue Team (SORT) to effectively respond to incidents requiring advanced technical rescue skills, including but not limited to swiftwater and flood rescue and high-angle and rope rescue.
- 1.2 This agreement outlines the collaborative relationship, responsibilities, and governance structure that will guide SORT operations within Mason County and ensure coordinated training, deployment, and resource management.
- 1.3 The SORT Team is authorized to conduct technical rescue and technical recovery operations, including rope rescue, high-angle rescue, swiftwater/flood rescue, and associated recovery operations.
- 1.4 The Parties acknowledge that recovery operations are a law enforcement function under the authority of the Sheriff's Office.

1.5 Pursuant to RCW 38.52.400, the Mason County Sheriff is the chief law enforcement officer of the county and is statutorily responsible for all search and rescue operations within Mason County.

All SORT operations conducted under this Agreement that involve search, rescue, or recovery activities shall operate under the authority, direction, and control of the Mason County Sheriff's Office. Nothing in this Agreement shall be interpreted to limit or supersede that statutory authority.

SECTION 2. TERM

2.1 This Agreement shall become effective on the date executed by the Mason County Sheriff's Office and a Fire Agency and shall continue for five (5) years unless terminated earlier as provided herein. The withdrawal of any one Fire Agency shall not terminate this Agreement in its entirety, as long as the Mason County Sheriff's Office and at least one Fire Agency remain Parties to this Agreement.

SECTION 3. DEFINITIONS

- 3.1 INTERLOCAL AGREEMENT (ILA)** – A written agreement entered into between two or more agencies as provided in RCW 39.34.
- 3.2 PERSONNEL** – Paid employee or volunteer of an agency that has entered into this ILA.
- 3.3 TRAINED PERSONNEL** – Qualified in specific technical rescue disciplines adopted and recognized by the SORT Board.
- 3.4 SORT** – Special Operations and Rescue Team.
- 3.5 UNIFIED COMMAND** – Command structure in which the role of incident commander is shared by qualified personnel from different agencies under NIMS/ICS principles.
- 3.6 SOP** – Standard Operating Procedure.
- 3.7 Rescue Operations** - Operations conducted with the intent to preserve life.
- 3.8 Recovery Operations** - Operations conducted to locate, access, and recover deceased persons or human remains.

SECTION 4. RESPONSIBILITIES

- 4.1 Fire Agency Responsibilities:**
- Maintain and provide specialized technical rescue equipment and resources necessary for SORT operations.
 - Participate in joint training exercises and drills with Sheriff's Office personnel to

- ensure seamless collaboration during SORT responses.
- Provide the training and certifications necessary to meet SORT standards.
- Collaborate with the Sheriff's Office to establish unified command structures during SORT operations.

4.2 Sheriff's Office Responsibilities:

- Provide SORT team personnel who meet training and operational requirements as established by the SORT Board.
- Designate a SORT Commander responsible for coordinating SORT activities, training, and communication with all Parties.
- Participate in joint training and exercises to ensure operational readiness and coordination.
- Offer logistical support, facilities, and transportation for SORT activities.
- Coordinate law enforcement efforts, scene security, and crowd control during SORT operations.

4.3 All participating agencies agree to support SORT activations for both rescue and recovery operations to the extent consistent with their policies, training, available resources, and risk management standards.

4.4 No participating agency shall adopt a blanket prohibition against participation in all recovery operations. Participation shall be determined on an incident-by-incident basis.

4.5 Nothing in this Agreement limits or modifies the statutory authority of the Mason County Sheriff under RCW 38.52.400. The Sheriff's Office shall have primary authority and responsibility for search and rescue operations, including recovery of deceased persons, and shall direct SORT operations when such missions are undertaken

4.6 Each agency shall disclose material limitations affecting participation.

4.7 During any incident involving search, rescue, or recovery operations, the Mason County Sheriff's Office shall serve as the lead agency. Unified Command principles may be utilized; however, such structure shall not diminish or supersede the Sheriff's statutory authority over the mission, objectives, and operational priorities.

4.8 The Parties acknowledge that recovery of deceased persons is a lawful function under the authority of the Mason County Sheriff's Office. Participating agencies agree to support such operations when requested, consistent with reasonable safety considerations, training, and available resources.

Refusal to participate shall be based on specific, articulable safety or capability limitations related to the incident, and not on a general policy exclusion of recovery operations.

SECTION 5. GOVERNANCE AND ORGANIZATION

5.1 SORT Board: A governing body known as the SORT Board shall oversee team operations, approve policies, and guide training and resource management. Each participating agency shall have one voting representative. The Board shall meet at least quarterly, with a majority constituting a quorum. The chairperson shall rotate annually among the agencies. No policy adopted by the Board may conflict with the defined mission scope.

5.2 Operations Committee: The SORT Board shall maintain an Operations Committee comprised of technical representatives to develop SOPs, training standards, and recommendations regarding funding, logistics, and resource allocation.

5.3 SORT Commander: The SORT Commander shall be appointed annually by the SORT Board and is responsible for coordinating operations, training compliance, and interagency communication.

SECTION 6. TRAINING AND QUALIFICATIONS

6.1 SORT members shall be trained in accordance with NFPA 1006, NFPA 1670, and WAC 296-305 standards. Joint training exercises shall be conducted at least twice annually to ensure operational consistency and interoperability.

6.2 Each agency shall maintain training and certification records for its personnel and make them available for review by the SORT Board to ensure compliance and readiness.

6.3 No agency may establish a blanket prohibition inconsistent with participation requirements.

6.4 Each participating agency shall disclose any material limitations affecting participation, including restrictions related to recovery operations, discipline-specific limitations, or staffing and equipment constraints.

SECTION 7. EQUIPMENT AND RESOURCES

7.1 Equipment purchased by an individual agency shall remain the property of that agency unless otherwise agreed in writing.

7.2 Each Party shall mark its equipment for identification and maintain it in working order.

7.3 Shared or jointly purchased equipment shall be governed by a separate written addendum approved by the SORT Board.

SECTION 8. FUNDING AND COST SHARING

8.1 Each participating agency shall be responsible for its own personnel costs, insurance, and agency-specific equipment and training expenses.

8.2 The SORT Board may pursue grants, Title III funds, donations, or shared funding opportunities to support SORT operations, training, and specialized equipment acquisition.

SECTION 9. LIABILITY, INDEMNIFICATION, AND INSURANCE

9.1 Each Agency shall be responsible for the acts and omissions of its employees and volunteers in the performance of this Agreement.

9.2 Each Agency shall indemnify, defend, protect, hold harmless, and release the other, its officers, agents, and employees, from and against any and all claims, loss, proceedings, damages, causes of action, liability, costs, or expense (including attorneys' fees and witness costs) arising from or in connection with, or caused by any act, omission, or negligence of such indemnifying party or its agents, employees, contractors, subcontractors, or invitees. This indemnification obligation shall not be limited in any way by any limitation on the amount or type of damages or compensation payable to or for the indemnifying party under workers' compensation acts, disability benefit acts, or other employee benefit acts. This indemnity provision survives the Agreement.

9.3 Each Party shall maintain adequate insurance or self-insurance coverage for its activities under this Agreement.

SECTION 10. TERM, REVIEW, AND TERMINATION

10.1 This Agreement shall remain in effect for five (5) years unless terminated earlier as provided herein.

10.2 The SORT Board shall review this Agreement annually to assess its effectiveness, training compliance, and financial practices.

10.3 Any Party may withdraw from this Agreement with sixty (60) days' written notice to all other Parties.

SECTION 11. MISCELLANEOUS

11.1 Non-Exclusive Agreement. The Parties to this Agreement shall not be precluded from entering into similar agreements with other municipal corporations or agencies.

11.2 Non-Waiver of Breach. The failure of any Party to enforce any provision of this Agreement shall not be construed as a waiver of that or any other provision.

11.3 Governing Law and Venue. This Agreement shall be governed by and construed in accordance with the laws of the State of Washington, with venue in Mason County Superior Court.

11.4 Compliance with Laws. Each Party agrees to comply with all local, state, and federal laws and regulations applicable to this Agreement.

11.5 Entire Agreement. This document constitutes the entire agreement between the Parties and supersedes any prior written or oral agreements.

11.6 Severability. If any section of this Agreement is found to be invalid or unenforceable, the remaining sections shall continue in full force and effect.

11.7 Interpretation. This Agreement shall be interpreted fairly and not for or against any Party based on authorship.

11.8 Notice. All communications regarding this Agreement shall be in writing and become effective upon personal service or three business days after mailing by certified mail.

11.9 Counterparts. This Agreement may be executed in multiple counterparts, each constituting an original, collectively forming one Agreement.

11.10 Entity Formation. This Agreement does not create a separate legal entity or joint board for managing or owning property.

11.11 Administration. This Agreement shall be jointly administered by the Parties. Notwithstanding any other provision of this Agreement, the Mason County Sheriff's Office is the designated lead agency for all search and rescue and recovery operations pursuant to RCW 38.52.400. This statutory authority is not subject to modification by agreement of the Parties.

11.11 Property. All property or equipment acquired by an individual agency shall remain that agency's property upon termination or withdrawal.

11.13 Equipment. All Parties shall exercise due diligence in safeguarding, salvaging, and returning lost or damaged equipment to its rightful owner.

11.14 Legal (Attorney Fees). If any Party brings suit to enforce this Agreement, the prevailing Party shall be entitled to recover reasonable attorney fees and costs as noted in section 9.2.

11.15 Additional Agreements. Nothing herein prevents any Party from entering separate mutual aid or response agreements with other entities.

11.16 Third Parties. This Agreement confers no rights or benefits on any person or entity not a Party to this Agreement.

11.17 Binding Effect. This Agreement shall become binding upon execution by authorized representatives of the Parties and shall remain in effect as provided herein.

SECTION 12. EXECUTION

This Agreement is effective upon signature by authorized representatives of the following agencies:

Mason County Sheriff's Office

By: _____ Date: _____
Ryan Spurling, Sheriff

North Mason Regional Fire Authority

By: _____ Date: _____
Chief Beau Bakken

Central Mason Fire District

By: _____ Date: _____
Chief Brandon Searles

South Mason Fire District

By: _____ Date: _____
Chief Gregory Rudolph

Mason County Fire District 6

By: _____ Date: _____
Chief Clint Volk

West Mason Fire District

By: _____ Date: _____
Chief Matthew Welander

Other Participating Agencies

By: _____ Date: _____

Appendices (Optional Attachments)

- Appendix A – SORT Training and Certification Standards
- Appendix B – Activation and Deployment Protocol
- Appendix C – Equipment and Cost-Sharing Records
- Appendix D – Governance and Rotation Schedule

NORTH MASON REGIONAL FIRE AUTHORITY
RESOLUTION NO. _____
(PRIMARY ELECTION)
RESOLUTION TO SUBMIT AN EMS LEVY

A RESOLUTION OF THE GOVERNING BOARD OF NORTH MASON REGIONAL FIRE AUTHORITY PROVIDING FOR THE SUBMISSION TO THE QUALIFIED ELECTORS OF THE RFA AT AN ELECTION TO BE HELD WITHIN THE RFA ON AUGUST 4, 2026, IN CONJUNCTION WITH THE STATE PRIMARY ELECTION OF A PROPOSITION AUTHORIZING THE CONTINUATION OF AN EMERGENCY MEDICAL SERVICES PROPERTY TAX LEVY NOT TO EXCEED \$.50 PER \$1,000.00 OF TRUE AND ASSESSED VALUATION, IN ADDITION TO ITS REGULAR PROPERTY TAX LEVY, FOR A PERIOD OF SIX CONSECUTIVE YEARS BEGINNING IN 2026 AND ENDING IN 2031 AND TO BE COLLECTED IN EACH SUCCEEDING YEAR (2027-2032) TO PROVIDE FUNDS REQUIRED BY THE RFA TO ENABLE THE RFA TO PROVIDE EMERGENCY MEDICAL SERVICES.

Background: WHEREAS, the RFA currently has a six-year EMS levy that was approved by the voters in 2020. The current levy rate is approximately \$.28 per thousand of assessed valuation and this is the final year the levy will be collected.

It is the judgment of the Governing Board of the RFA that it is essential and necessary for the protection of the health and life of the residents of the RFA that emergency medical services be provided by the RFA and that the EMS levy be established at a rate not to exceed \$0.50 per \$1,000 of assessed property value. Such services will necessitate the expenditure of revenues for maintenance, operations, equipment and personnel in excess of those which can be provided by the RFA's regular tax levy;

Resolution: NOW THEREFORE, BE IT RESOLVED by the Governing Board of North Mason Regional Fire Authority as follows:

Section 1. In order to provide emergency medical services, it is necessary that the RFA perform the following functions:

- 1.1 Obtain, operate and maintain emergency medical vehicles and facilities staffed by properly trained emergency medical technicians and other medically trained personnel.
- 1.2 Obtain consumable medical supplies and medical appliances to equip such vehicles and facilities.
- 1.3 Continue to provide the level of service as deemed necessary by the Governing Board of the Fire RFA.

Section 2. In order to provide the revenue adequate to pay the costs of providing adequate life protection services and facilities as described in Section 1 and to maintain reserve funds sufficient to assure the continuation of such services, the RFA shall continue its EMS levy by levying each year for a period of six consecutive years beginning in 2026 and collect each year for a period of

six consecutive years, beginning in 2027, a general tax on taxable property within the RFA, in addition to the regular levy for maintenance and operation costs, in an amount not to exceed \$.50 per \$1,000.00 of assessed valuation of such property.

Section 3. In accordance with RCW 84.52.069 the funds raised by such levy shall be used only for the provision of emergency medical services, including related personnel costs, service contract costs, training for such personnel, and related equipment, supplies, vehicles and structures needed for the provision of emergency medical services.

Section 4. The RFA electors previously approved a six year EMS Levy in 2020 at the rate of \$.50 per thousand of assessed valuation that is currently being levied at the rate of \$.28 per thousand of assessed valuation. This measure, if approved by the voters, would continue the levy at the \$.50 per thousand rate in 2026 for collection in 2027. The levy rate the following five years will be based on the allowable state increase of one percent subject to a maximum \$.50 levy rate in the event assessed values decrease.

Section 5. There shall be submitted to the qualified electors of the RFA for their ratification or rejection, at the primary election on August 4, 2026, the question of whether or not such levy for emergency medical services shall be made each year for a period of six consecutive years, the first levy to be collected in 2027. The Governing Board hereby requests the auditor of Mason County, as ex-officio Supervisors of Elections to call such election and to submit the following proposition at such election, in the form of a ballot title substantially as follows:

PROPOSITION NO.1

North Mason Regional Fire Authority - Governing Board

Emergency Medical Services Property Tax Levy.

Will North Mason Regional Fire Authority be authorized to continue funding emergency medical services for its citizens by continuing to impose a regular property tax levy of \$.50 or less per \$1,000.00 of assessed valuation for a period of six consecutive years to be collected beginning in 2027?

Yes

No

Section 6. In accordance with RCW 84.52.069(2), the ballot measure is for a subsequent approval of an expiring EMS Levy and shall require a simple majority vote.

Section 7. For purposes of receiving notice of any matters related to the ballot title, as provided in RCW 29A.36.080, the Board hereby designates the Fire Chief as the individuals to whom the County Auditor shall provide such notice.

Section 8. The Chief, or designee, is authorized to implement such administrative procedures as may be necessary to carry out the directives of this resolution, including modifying the text of the

ballot title and any other text, language and/or descriptions relative thereto necessary to conform such ballot title, text, language and/or descriptions to the intent of the parties, consistent with the objectives of this resolution

Section 9. The Chief, or designee, is hereby authorized and directed, no later than May 1, 2026 to provide to the County Auditor a certified copy of this resolution and the proper RFA officials are authorized to perform such other duties or take such other actions as are necessary or required by law to the end that the proposition described in this resolution appear on the ballot before the voters at the August 4, 2026 election.

Section 10. If the County publishes a voter’s guide, the Board hereby assigns to the Fire Chief or designee the task of appointing members to a committee to advocate voters’ approval of the proposition and to a committee to prepare arguments advocating voters’ rejection of the proposition.

Section 11. If any section, subsection, paragraph, sentence, clause or phrase of this resolution is declared unconstitutional or invalid for any reason, such decision shall not affect the validity of the remaining portions of this resolution.

Section 12. Any act consistent with the authority and prior to the effective date of this resolution is hereby ratified and affirmed.

Section 13. This resolution shall take effect and be in force immediately upon its passage.

Adoption: ADOPTED by the Governing Board of North Mason Regional Fire Authority at an open public meeting of such Board on the ____ day of _____ 2026, the following Board Members being present and voting:

Board Member

Board Member

Board Member

Board Member

Board Member

Secretary

Election Date: August 4, 2026

Name of Jurisdiction Submitting Measure: North Mason Regional Fire Authority

Contact Name: _____

Daytime Contact Phone Number: _____

PROPOSITION NO. 1
(Emergency Medical Services Tax Levy)

BALLOT ISSUE EXPLANATORY STATEMENT

(200 Word Limit)

In 2020, voters approved the continuation of North Mason Regional Fire Authority's Emergency Medical Service (EMS) property tax levy. The 2020 EMS levy will expire at the end of 2026 unless the voters approve this measure.

If approved by the voters, this measure will authorize a six year continuation of the EMS levy at an initial rate of \$.50 per thousand of assessed value. The levy rate the following five years would be limited to the statutory one percent increase allowed by law. In the event assessed values decrease, the levy rate will be capped by the statutory limit of \$0.50 per thousand dollars of assessed.

Approval of the levy will enable the RFA to maintain the level of emergency medical services currently provided on a continuing basis including basic and advanced life support services by certified emergency medical technicians and paramedics. The revenue from this levy will be used by the RFA exclusively for emergency medical services.

If voters approve this levy's renewal, the maximum tax per \$100,000 assessed valuation would not exceed \$50.00 per year or approximately \$4.17 per month for emergency medical services.

Prepared by: Brian K. Snure
Attorney for RFA
(206) 824-5630